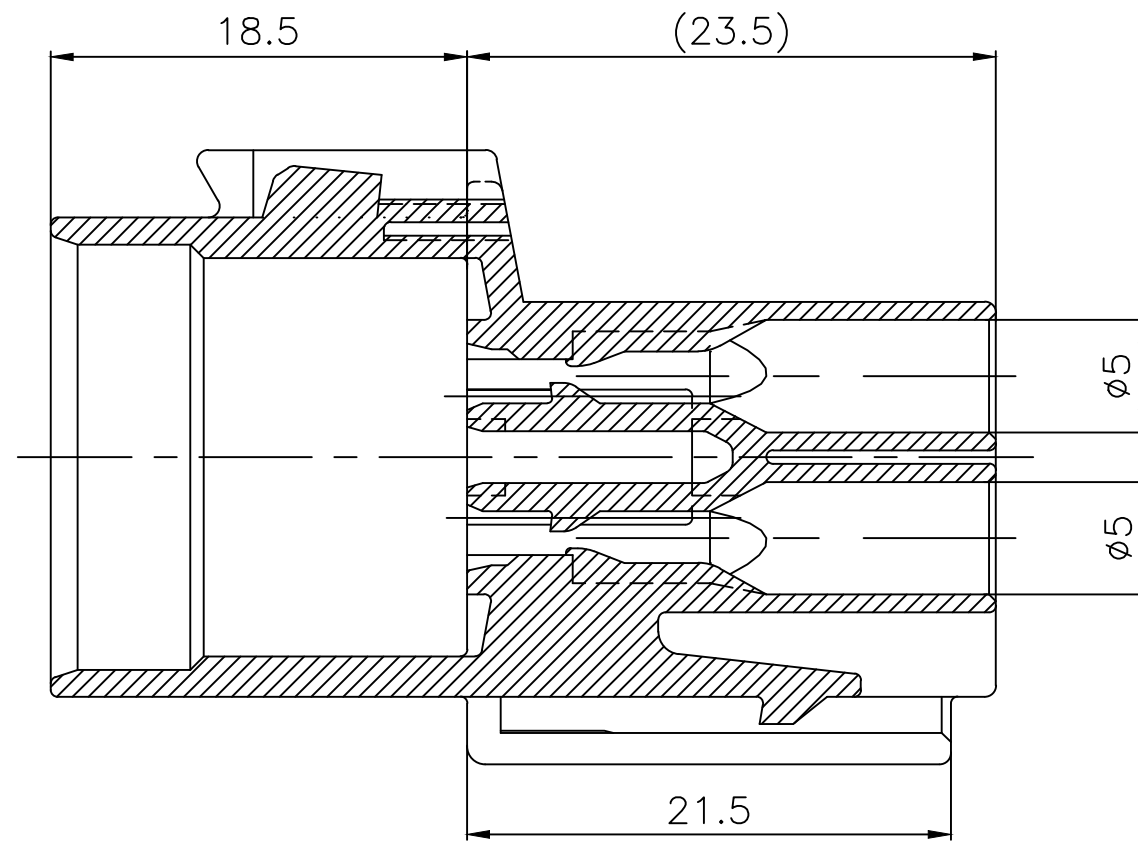
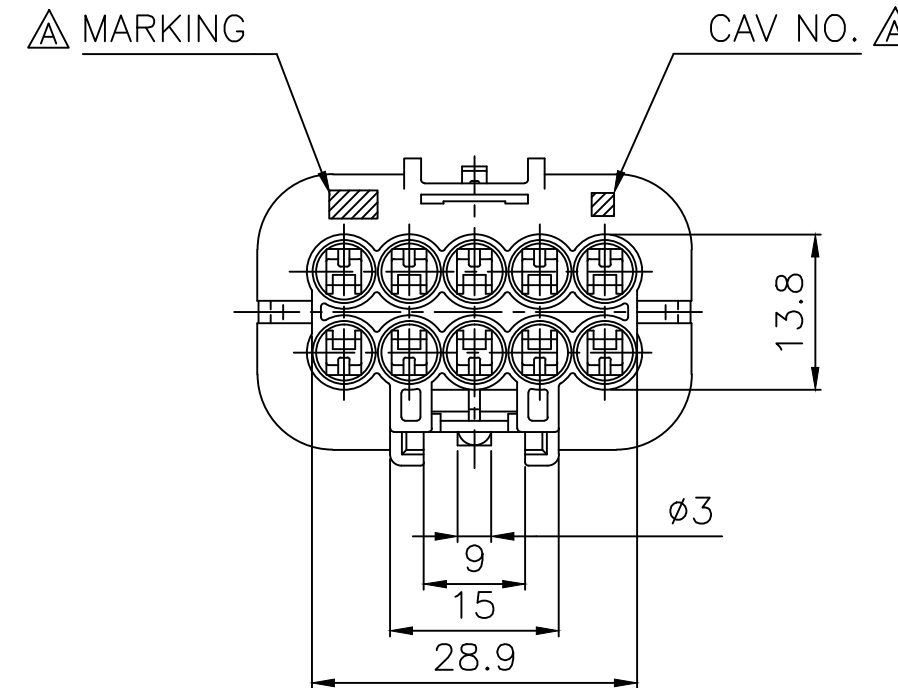
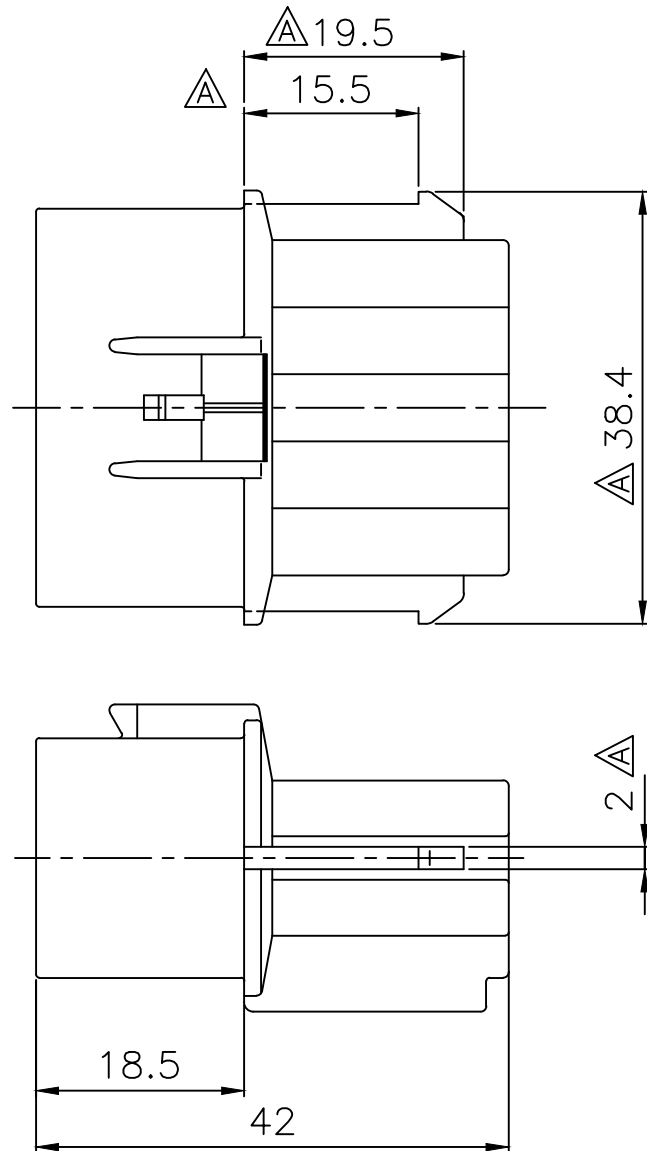
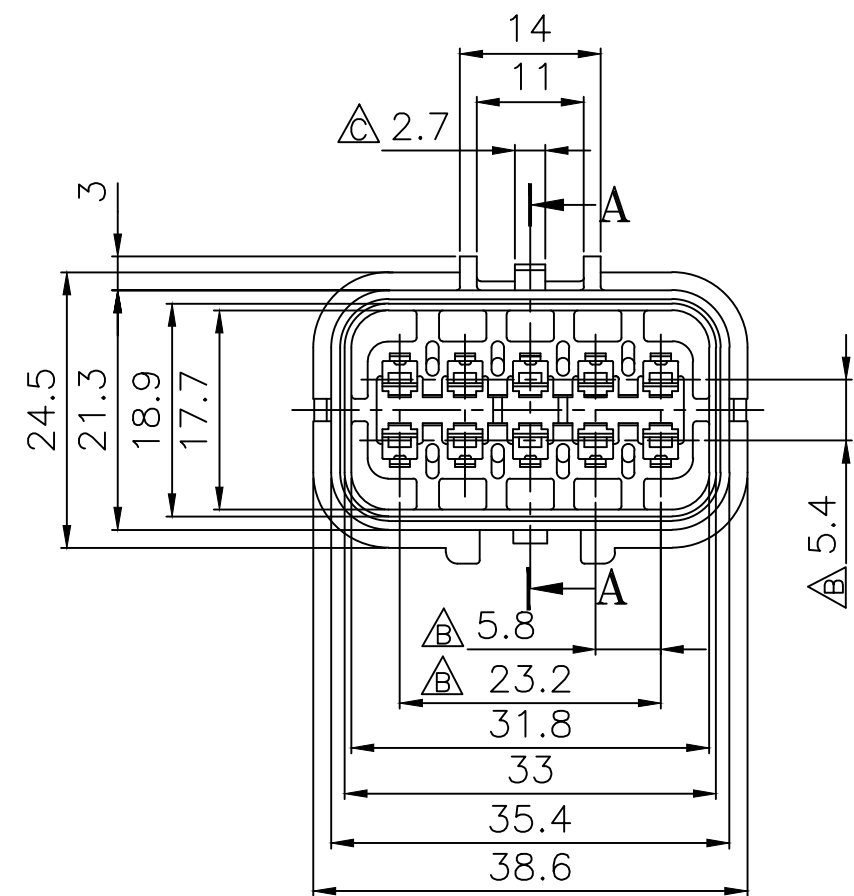
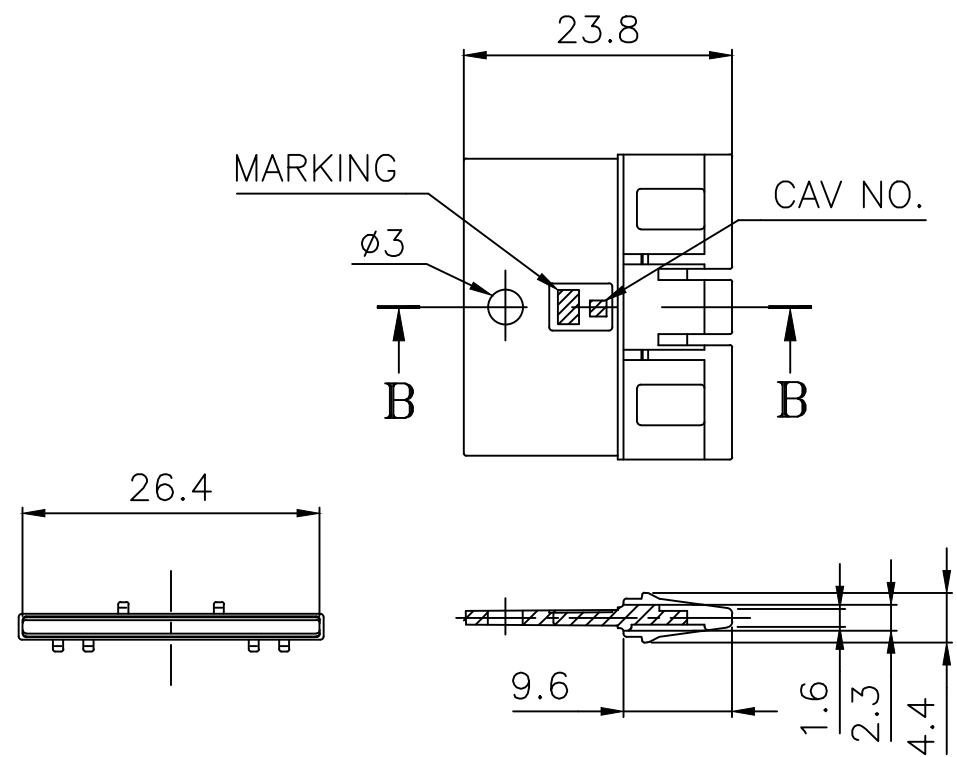


CUSTOMER DRAWING

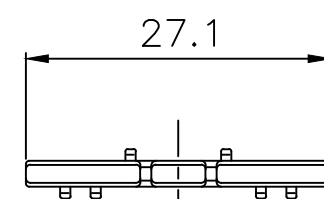
①②③④ CONN. NMWP10M



⑤ F/H NMWP10M



SECTION B-B



— 주 기 —

- MARKING 및 CAV. NO는 당사 규정에 의하여 각인 할 것.
- 상대 MATCHING CONNECTOR : NMWP CONN. RECEPT류.
- ASSY 부품
  - FRONT HOLDER : PB871-10880
  - TERMINAL

적용 전선(SQ)	PART NAME	PART NO.
AV,AVS,AVSS 0.3~0.5 / AVX,AEX 0.5	NMWP-M-S	MT091-63080
AV,AVX,AEX,AVS,AVSS 0.75~0.85sq, AESSX 0.75~0.85sq, 테프론 0.61sq	NMWP-M-SM	TN021-00200
AV,AVX,AEX,AVS,AVSS 1.25sq~2.0sq	NMWP-M-M	MT091-63280
AV,AVS,AVSS 0.3~0.5 / AVX,AEX0.5	NMWP-M-S-Au	MT091-63060
AV,AVX,AEX,AVS,AVSS 0.75~0.85sq, AESSX 0.75~0.85sq, 테프론 0.61sq	NMWP-M-SM-Au	TN021-00210
AV,AVX,AEX,AVS,AVSS 1.25sq~2.0sq	NMWP-M-M-Au	MT091-63260

3) WIRE SEAL

적용 전선(SQ)	PART NAME	PART No.
AV,AVS 0.3 / AVSS 0.3~0.85sq, AESSX 0.75~0.85sq, 테프론 0.61sq	W/S MWP-0.3	RS220-01100
AV 0.5,AVSS1.25/AVS,AVX,AEX0.5~0.85	W/S MWP-SS	RS220-04100
AV 0.75~0.85, AVS 1.25	W/S MWP-S	RS220-02100
AVS,AVSS 2.0 /AV,AVX,AEX 1.25~2.0	W/S MWP-W	RS220-03100
락용SEAL용 PIN	NMWP S/P ASSY	PZ001-15022

4. 본 부품은 방수형 CONNECTOR임.

⑤	F/H NMWP10M-LG	PB871-10880	LIGHT GREEN	PBT			
④	CONN. NMWP10M-B-GY	PB621-10720	GRAY	PBT			
③	CONN. NMWP10M-B-BR	PB621-10650	BROWN	PBT			
②	CONN. NMWP10M-B-L	PB621-10640	BLUE	PBT			
①	CONN. NMWP10M-B	PB621-10020	BLACK	PBT			
NO.	PART NAME	PART NO.	COLOR	MATERIAL			
	THIRD ANGLE PROJECTION	A	1/1(2/1)	CYM	KMH	KNJ	CJW
		TOLERANCE	SCALE	DESIGN	DRAWN	CHECKED	APPROVED

승인	DATE	NOTE NO.	SYM	ALTERATION	담당
CJW	06.07.28	E006-0040	D	TML 사양추가 및 적용전선사양변경(5개소)	SSJ
KKL	05.01.14	AH05002	C	오기 수정(1개소)	SSJ
KKL	02.08.20	-	B	치수 추가(3개소)	KMH
CJW	01.01.18	-	A	형상 변경(6개소)	CYM
CJW	99.07.13	-	A	신 규	CYM

GENERAL TOLERANCE							
	10MAX	50MAX	100MAX	150MAX	200MAX	200VR	ANGLE
A	±0.2	±0.3	±0.5	±0.8	±1.0	±1.4	±30'

DRAWING NAME	CONN. NMWP10M-B
DRAWING NO.	PB621-10020-C01D

**KUM** 케이유엠