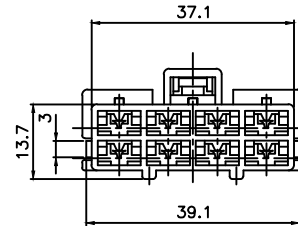
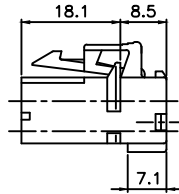
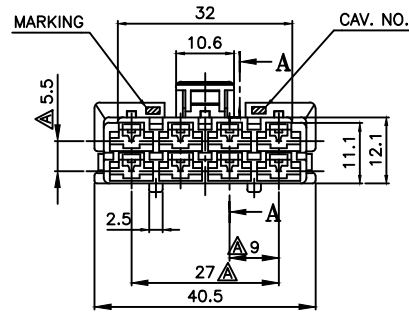
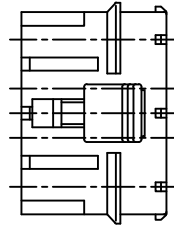


CUSTOMER DRAWING

①② CONN. DSD08F



- 주 기 -

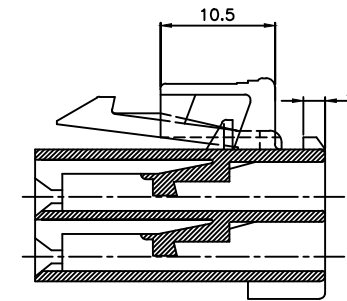
- 상대 MATCHING CONNECTOR : PH776-08010
- 적용 TERMINAL

적용 현선(SQ)	PART NAME	PART NO.
AV,AVS,AVSS 0.3~0.5	DSD-F-S	MT025-23000
	DSD-F-S-Sn	MT025-23030
AV,AVS,AVSS 0.85~2	DSD-F-M	MT025-23200
	DSD-F-M-Sn	MT025-23230
AV,AVS 3	DSD-F-L	MT025-23300
	DSD-F-L-Sn	MT025-23330

- ASSY PART NAME,NO.

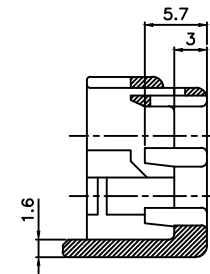
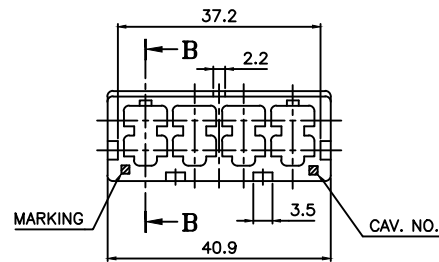
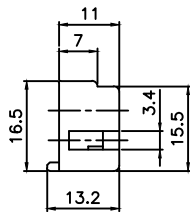
ASSY PART NAME	ASSY PART NO.	①	②	③	④
CONN.DSD08F-W(GY) ASSY	PH776-08015	●		●	
CONN.DSD08F-W(L) ASSY	PH776-08017	●		●	●
CONN.DSD08F-B(GY) ASSY	PH776-08025		●	●	
CONN.DSD08F-B(L) ASSY	PH776-08027		●	●	●

- 본 부품은 비방수형 CONNECTOR임.



SECTION A-A(2/1)

③④ R/H BDSD08P



SECTION B-B(2/1)

K.K.L	03.05.27	-	△	R/H COLOR 추가	K.M.H
K.K.L	02.08.28	-	△	치수추가(3개소)	K.M.H
K.K.L	97.03.05	-	△	신 규	K.D.K
승인	DATE	NOTE NO.	SYM	ALTERATION	담당

④	R/H BDSD08P-L	PH780-08640	BLUE	P.P
③	R/H BDSD08P-GY	PH780-08120	GRAY	P.P
②	CONN. DSD08F-B	PH776-08020	BLACK	P.P
①	CONN. DSD08F-W	PH776-08010	WHITE	P.P
NO.	PART NAME	PART NO.	COLOR	MATERIAL

DRAWING NAME CONN. DSD08F-W(GY) ASSY
DRAWING NO. PH776-08015-C01B

GENERAL TOLERANCE							
	10MAX	50MAX	100MAX	150MAX	200MAX	200VR	ANGLE
A	±0.2	±0.3	±0.5	±0.8	±1.0	±1.4	±30'

THIRD ANGLE PROJECTION	A	1/1(2/1)	K.D.K	K.M.H		K.K.L
	TOLERANCE	SCALE	DESIGN	DRAWN	CHECKED	APPROVED

KUM 케이유엠