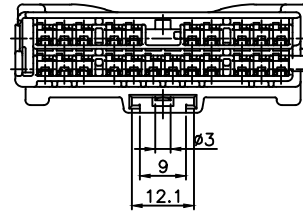
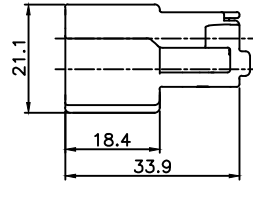
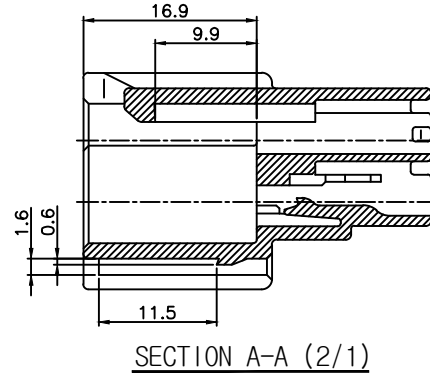
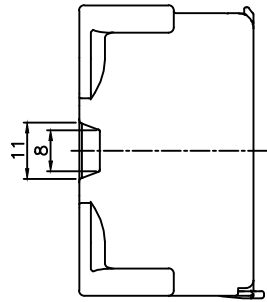
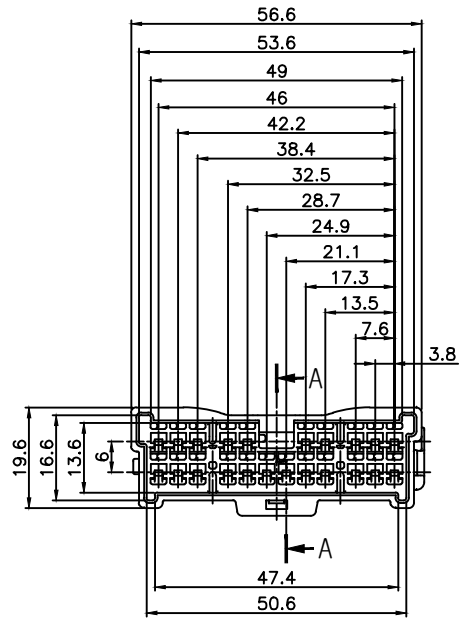
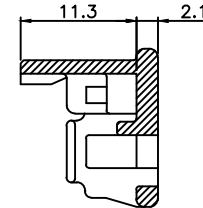
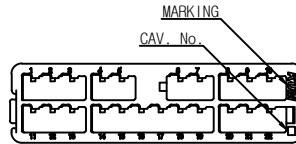
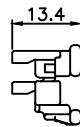
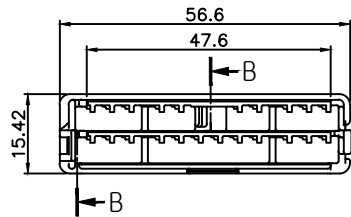


CUSTOMER DRAWING

①, ②, ③, ④, ⑤, ⑥ CONN. AR22MA



⑦ R/H AR22MA



SECTION B-B (2/1)

- 주 기 -

1. 사용상 유해한 흠, BURR등이 없을 것.
2. 명시되지 않은 공차는 일반 공차에 준할 것.
3. CAV. No. 및 MARKING은 당사 규격에 준하여 각인할 것.
4. ASSY 부품

적용 전선 (SQ)	PART NAME	PART No.
AV, AVS, AVSS 0.3-0.5 / AVX, AEX 0.5	AR-M-S	MT091-95080
AVS, AVSS, AVX, AEX 0.85-2 / AV 0.85-1.25	AR-M-M	MT091-95280
AVSSXF, AESSXF 2.5	AR-M-L	TA021-00010
AV, AVS, AVSS 0.3-0.5 / AVX, AEX 0.5	AR-M-S-Au	MT091-95080
AVS, AVSS, AVX, AEX 0.85-2 / AV 0.85-1.25	AR-M-M-Au	MT091-95260
AVSSXF, AESSXF 2.5	AR-M-L-Au	TA021-00020

5. ASSY PART NO.

ASSY P/NAME	ASSY P/NO.	①	②	③	④	⑤	⑥	⑦
AR22MA-W(GY) ASSY	PK142-22017	●	●	●	●	●	●	●
AR22MA-B(GY) ASSY	PK142-22027	●	●	●	●	●	●	●
AR22MA-L(GY) ASSY	PK142-22047	●	●	●	●	●	●	●
AR22MA-BR(GY) ASSY	PK142-22057	●	●	●	●	●	●	●
AR22MA-OR(GY) ASSY	PK142-22107	●	●	●	●	●	●	●
AR22MA-GY(GY) ASSY	PK142-22127	●	●	●	●	●	●	●

⑦	R/H AR22MA-GY	PK152-22120	GRAY	PP
⑥	CONN. AR22MA-GY	PK142-22120	GRAY	PBT
⑤	CONN. AR22MA-OR	PK142-22100	ORANGE	PBT
④	CONN. AR22MA-BR	PK142-22050	BROWN	PBT
③	CONN. AR22MA-L	PK142-22040	BLUE	PBT
②	CONN. AR22MA-B	PK142-22020	BLACK	PBT
①	CONN. AR22MA-W	PK142-22010	WHITE	PBT
No.	PART NAME	PART No.	COLOR	MATERIAL
	THIRD ANGLE PROJECTION	A	-	LSJ
	TOLERANCE	SCALE	DESIGN	DRAWN
			CHECKED	APPROVED

CJW	07.01.12	-	△	신 규	LSJ
승인	DATE	NOTE No.	SYM	ALTERATION	담당

DRAWING NAME	CONN. AR22MA-W(GY) ASSY
DRAWING No.	PK142-22017-C01

GENERAL TOLERANCE							
	10MAX	50MAX	100MAX	150MAX	200MAX	200VR	ANGLE
A	± 0.2	± 0.3	± 0.5	± 0.8	± 1.0	± 1.4	± 30'

KUM 케이유엠