

产 品 规 格 书

Specification of Products

产品名称 Product Name : GPP 桥式整流器

产品型号 Product Type : GBU6M

拟制 Prepared By : 梁鲁川

制造部审核 Reviewed By : 王锋

QA 审核 Reviewed By : 王颖

批准 Approved By : 杨光强

乐山无线电股份有限公司

Leshan Radio Company , Ltd

中国四川乐山人民西路 287 号

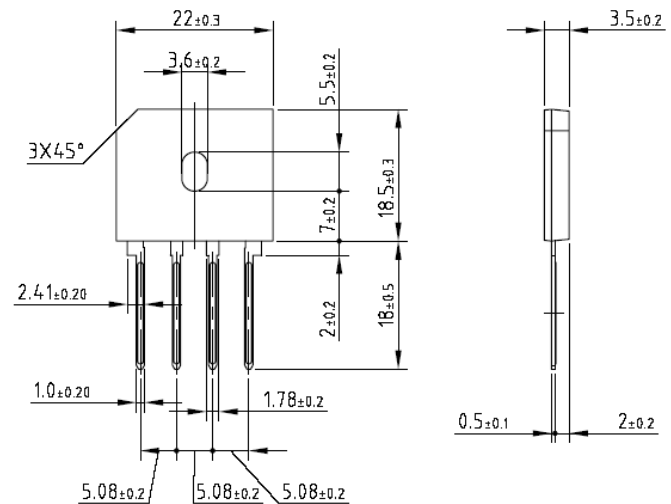
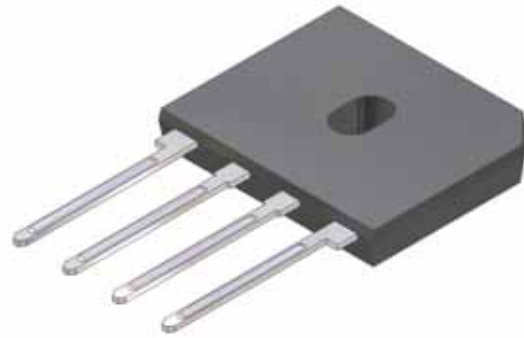
287West Pepole Road,Leshan,Sichuan,P.R.China

Tel:0086-833-2150227 Fax:0086-833-2150003

Zip Code : 614000 E-mail : market@lrc.cn

1. 外型尺寸 Feature & Dimension

- Plastic Package has Underwriters Laboratory Flammability Classification 94V-0
- This series is UL listed under the Recognized Component index, file number E231047
- Single-in-line package
- High current capacity with small package
- Superior thermal conductivity
- High temperature soldering guaranteed: 260 / 10 seconds
- High I_{FSM}



2. 产品性能 Product Characteristic

Item	Symbol	GBU6A	GBU6B	GBU6D	GBU6G	GBU6J	GBU6K	GBU6M	Unit	
Maximum repetitive voltage	VRM	50	100	200	400	600	800	1000	V	
Maximum DC reverse current at rated DC blocking voltage	IR					5				μ A
Maximum average forward rectified output current at	I_o					6				A
Peak forward surge current 8.3 ms single half sine-wave superimposed on rated load	IFSM					175				A
Rating for fusing ($t < 8.3$ ms)	I^2t					127				A ² sec
Typical thermal resistance per leg	θ_{ja} θ_{jc}					35				/W
Maximum instantaneous forward voltage at 3.0A	VF					1				V
Operating junction temperature	Tj					150				
Storage temperature	Tstg					-55~150				
Mounting torque	Tor					Rating Torque : 0.8			N.m	

3. 特性曲线 Characteristic Curve

图1. 降额曲线

Fig1. Derating Curve

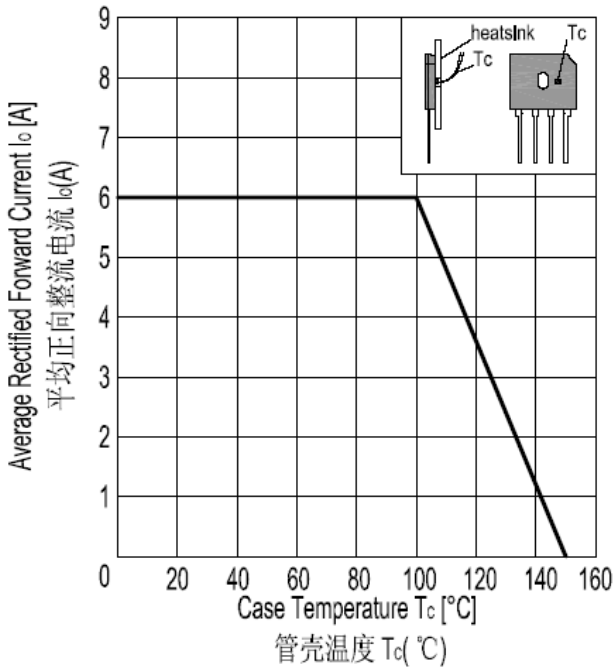


图2. 标准反向特性曲线

Fig2. Typical Reverse Characteristics

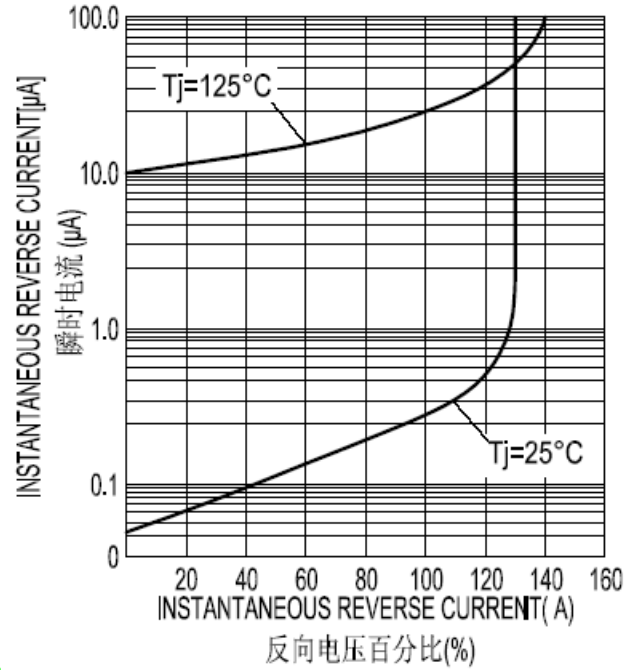


图3. 正向电压曲线

Fig3. Forward Voltage

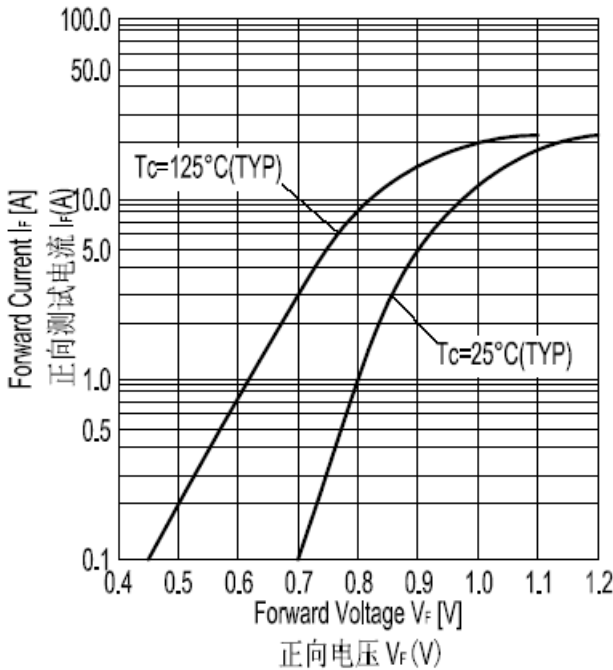
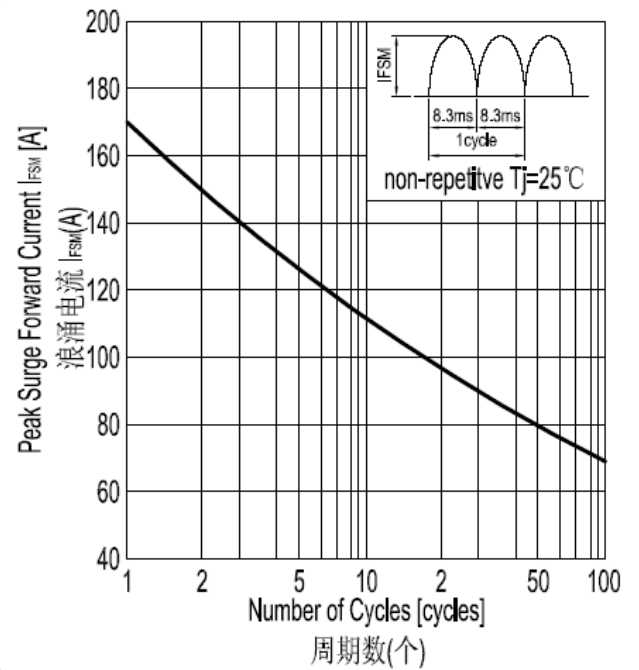


图4. 浪涌电流

Fig4. Peak Surge Forward Capability



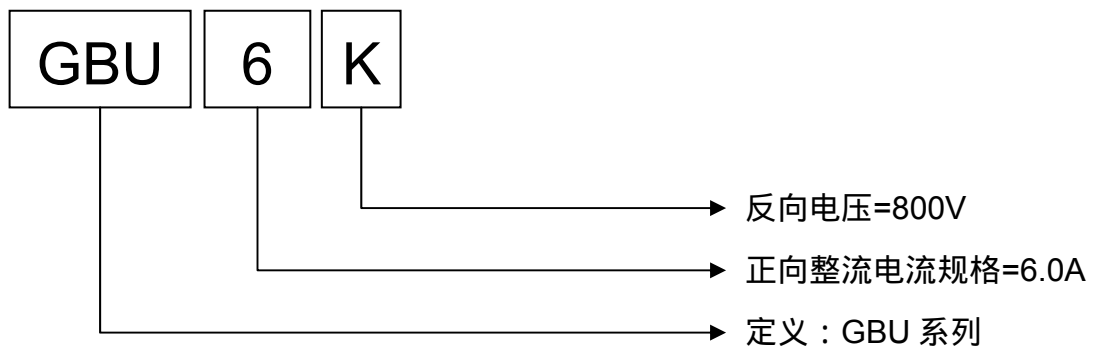
产品规格书 Specification of Product	文件编号：BRD0085
	第 1 版 第 1 次修改
	第 3 页 共 5 页

4. 印字要求Marking Identification



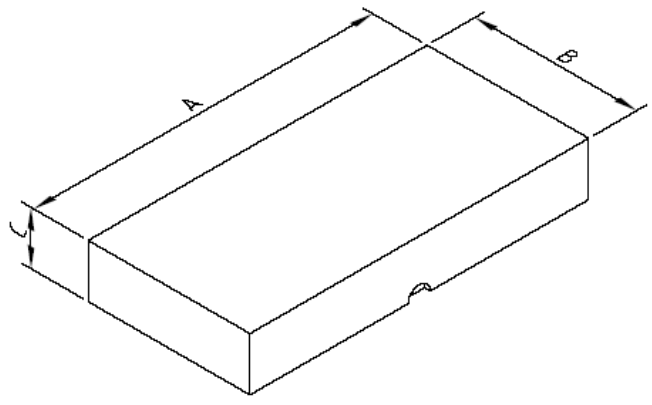
注释 Note :

生产日期码包含3位数字，例如“718”，第一个数字“7”表示为2007年，另外二个数字“18”是指第18周，即表示该产品为2007年18周生产。



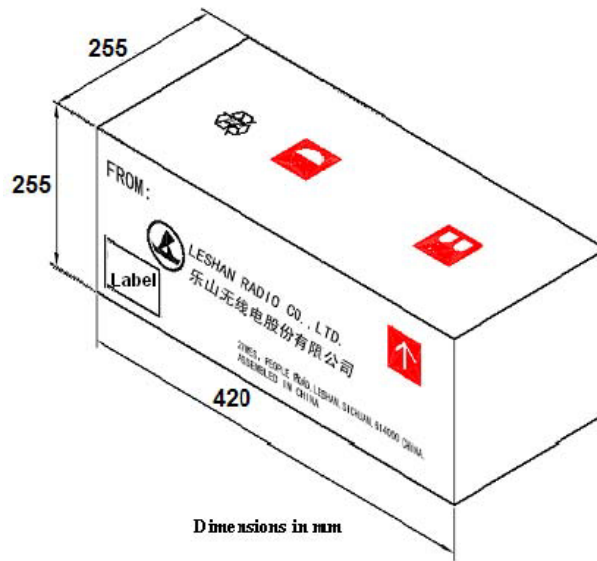
5. 包装Packing

内盒Inner Box



A=235 B=220 C=48 500只/盒

外箱Outside Carton Dimension



Dimensions in mm

10盒/箱 5000只/箱

6. 符合RoHS声明 RoHS Compliance Declared

We declare that the material of product compliance with RoHS requirements.

7. 版次更新记录

版次	更新记录	更新作者	更新日期
1	封面	梁鲁川	2008.11.21
2			
3			
4			
5			
6			
7			
8			
9			