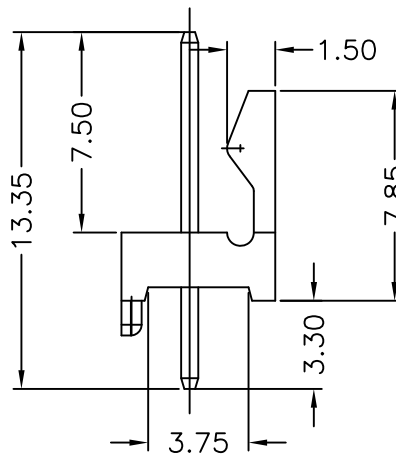
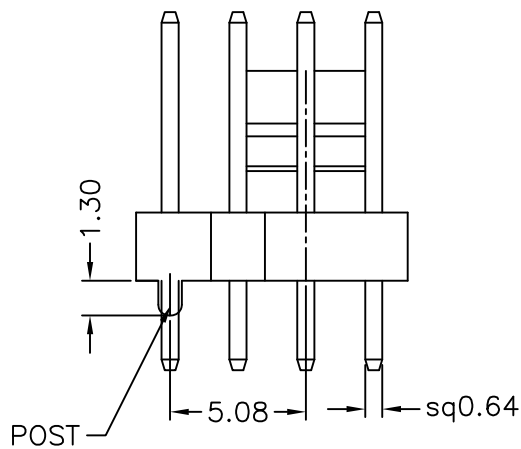


MATERIAL

Insulator : NY66 + 30% Glass fiber
 Contact Pin : Brass

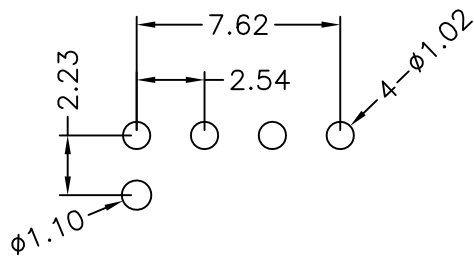
SPECIFICATION

Current Rate : 2.5 AMP
 Dielectric voltage : 250V AC for one minute
 Insulation Resistance : 1000MΩMin.
 Contact Resistance : 20mΩMax

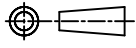



744-8 1-04 G G 1B
 1 2 3 4 5

- 1. 8: Green Product
- 2. No. of contacts per row
- 3. G: Gold flash
- S: Selective
- T: Tin plated
- 4. G: Charcoal Insulator (7547C)
- 5. Pinrex internal code.



Recommended P.C.B Layout

				TOLERANCE .0 =±.50 .00 =±.30 .000 =±.XXX .0000=±. ANG.=±3°		 UNITS : mm		OLD PART NO. 2544S-04GG		TITLE 2.54mm WIRE TO BOARD HEADER DIP 180° TYPE		 頻銳科技股份有限公司 PINREX TECHNOLOGY CORP.
A		RELEASE	2011/10/12	SCALE	SIZE	SHEET	REV.	APP'D	NEW PART NO.	DRAW NO.		
REV.		DESCRIPTION	DATE	NONE	A4	1 OF 1	A		744-81-04GG1B	744-81-04GG1B		