

# 承 认 书

SPECIFICATION FOR APPROVAL

客户 (CUSTOMER): \_\_\_\_\_

产品名称 (PRODUCT NAME): 电磁式蜂鸣器 (外部驱动)

型号 (TYPE): YS-MBZ12085C03R16

客户料号 (CUSTOMER NO) \_\_\_\_\_

日期 (DATE): 2019-07-20

客户确认: (签章)
日期:

## 东 莞 市 锋 鸣 电 子 有 限 公 司

电话: 0769-88036425

传真: 0769-85474556

制单: 李琳

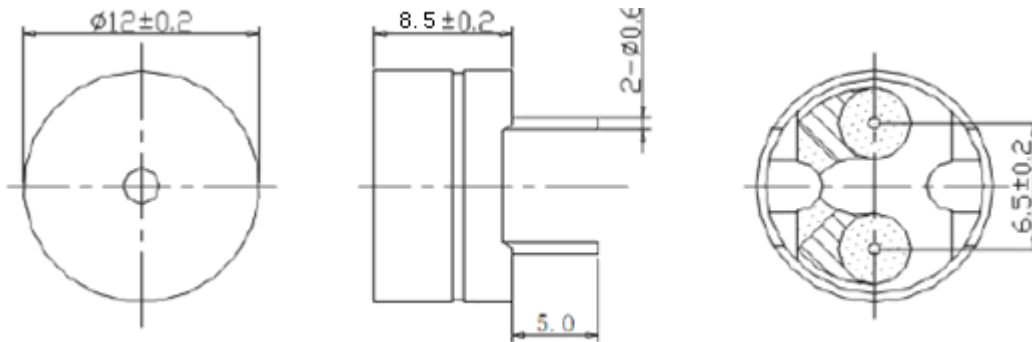
业务: 宋浩亮

工程: 黄鑫

# FENGMINGTECHOFDONGGUAN CO.,LTD

YS-MBZ12085C015R16

DIMENSIONS Unit:mm Tolerance:  $\pm 0.5$



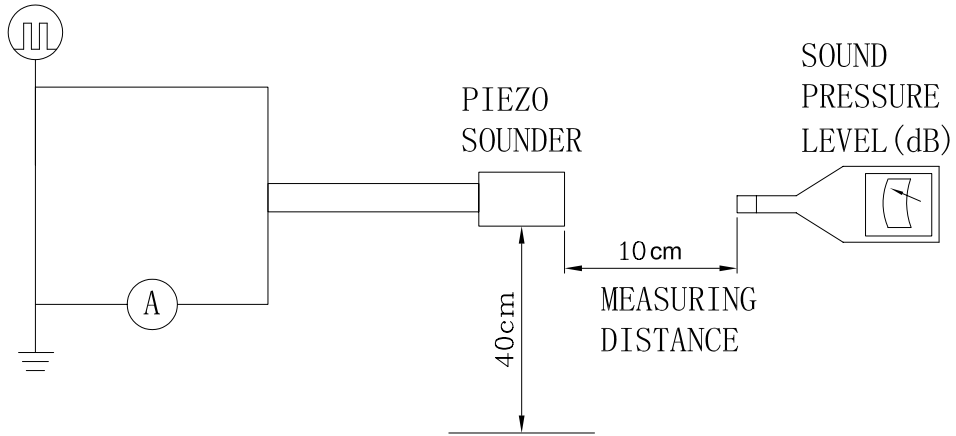
## SPECIFICATIONS

Model NO	YS-MBZ12085C03R16
Rated Voltage	3V
Operating Voltage	2.0~5.0V
Rated Current	Max. 50mA
Coil Resistance	$16 \pm 4 \Omega$
sound Pressure level(dB/2048Hz/at 10cm)	Min.85dB
Resonant Frequency	2048Hz
Operating Temperature	$-20^{\circ}\text{C} \sim +60^{\circ}\text{C}$
Storage Temperature	$-30^{\circ}\text{C} \sim +70^{\circ}\text{C}$

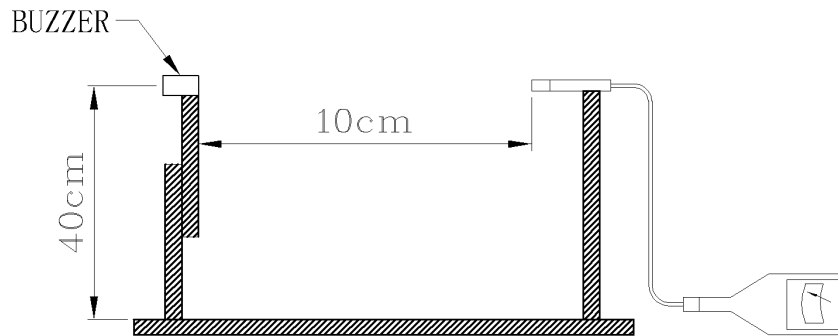
备注：本产品只适用于手工焊接，不能过波峰焊。

## Acoustic Characteristics:

The oscillation frequency, current consumption and sound pressure are measured by the measuring instruments shown below



In the measuring test, buzzer is placed as follows:



## Typical Frequency Response Curve

