

Surge arrester

3-Electrode arrester

Series/Type: DG3R230L

Customer:

Version/Date: Issue 01/2013-8-5

Surge arrester

3-Electrode arrester

DG3R230L

Features	Applications
<ul style="list-style-type: none"> ● Extremely small size ● Extremely fast response time ● Stable performance over life ● Very low capacitance ● High insulation resistance ● RoHS-compatible ● UL Certification :E311500 	<ul style="list-style-type: none"> ● Splitter ● PCI Cards ● Morden ● Line Cards

Electrical specifications

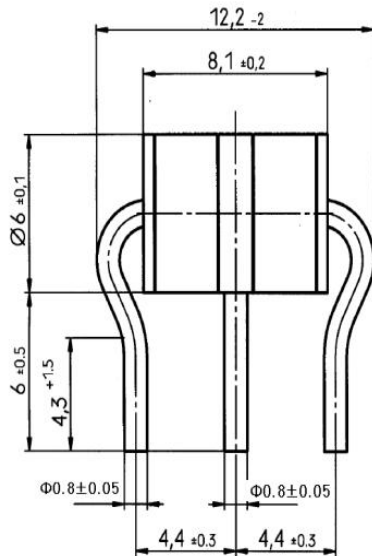
DC breakdown voltage ¹⁾²⁾	230 ±20	V %
Impulse breakdown voltage at 1kv/us Typical values of distribution	≤750	V
Service life 10 operations 8/20us ³⁾	10	KA
10 operations 50Hz,1S ³⁾	10	A
Insulation resistance at DC 100V	≥1	GΩ
Capacitance at 1MHz	≤1.5	pF
Storage and operations temperature	-40...+90	°C
Climatic category (IEC60068-1)	40/90/21	
Marking,Blue positive	DG3R230L	



www.jsdgme.com

- 1) Sampling size in accordance to AQL0.65 II
- 2) Tests according to ITU-T Rec. K. 12 and IEC61643-311 or GB/T 9043
- 3) Total current through center electrode

Dimensions



Cautions and warnings

- Surge arresters must not be operated directly in power supply networks, whose maximum operating voltage exceeds the minimum spark-over voltage of the surge arresters.
- Surge arresters may become hot in case of longer periods of current stress (danger of burning).
- If the contacts of the surge arrester are defective, current stress can lead to the formation of sparks and loud noise.
- Surge arresters may be used only within their specified values. In case of overload, the head contacts may fail or the component may be destroyed.
- Damaged surge arresters must not be re-used.

DC Elec.

Issue 01/2013-8-5

Please read Cautions and warnings and important notes at the end of this document.