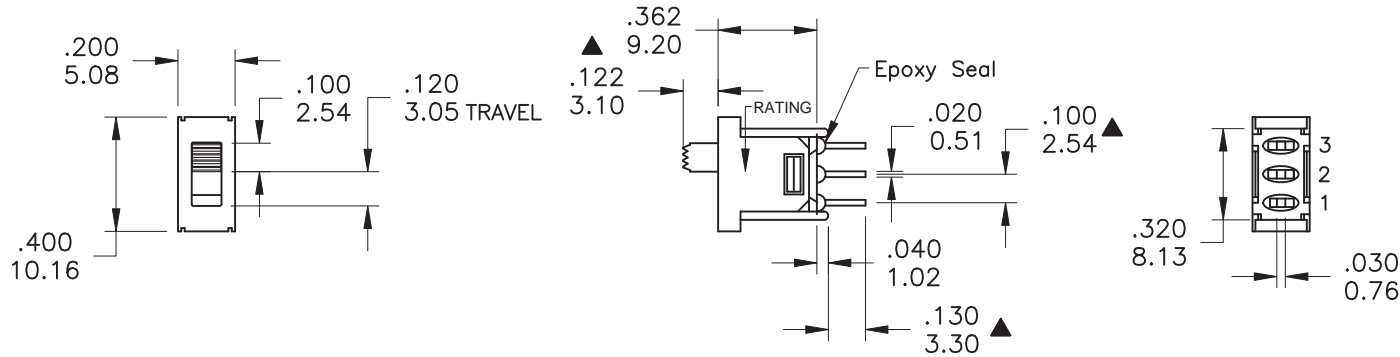


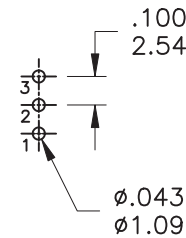
本公司智慧財產，未經同意不得複製
 DAILYWELL copyright, may not be used
 without permission from DAILYWELL



Model No.	POS.1	POS.2	POS.3
5FS1	ON	NONE	ON
Term. Comm.	2-1	N/A	2-3
SCHEMATIC			

SWITCH FUNCTION

P.C. MOUNTING



SPECIFICATIONS

MECHANICAL LIFE: 30,000 make-and-break cycles.
CONTACT RESISTANCE: 20 mΩ max. initial @ 2-4VDC
 100mA for both silver and gold plated contacts.
INSULATION RESISTANCE: 1,000 MΩ min.
DIELECTRIC STRENGTH: 1,000 Vrms min. @ sea level.
OPERATING TEMPERATURE: -40°C to 85°C.

MATERIALS

CASE: Diallyl phthalate (DAP) (UL94v-0).
ACTUATOR: Nylon, black std.
HOUSING: Stainless steel.
CONTACT/TERMINALS: Copper alloy.
 RoHS & Lead Free

	CONTACT PLATING	TERMINAL PLATING	RATINGS
Q	Silver	Silver	3 Amps @120 VAC or 28VDC
C	Gold over Silver	Gold over silver	1 Amps @250 VAC
R	Gold	Gold	0.4 Volt-Amps(VA) max. @20V max. (AC or DC)

德利威電子股份有限公司
 DAILYWELL ELECTRONICS CO.,LTD.

符號	原尺寸	修改後尺寸	變更日期
1 (A)	依據GC15071301設變鐵殼材質		FEB-09-2017
2 (B)		操作溫度-30°C修訂為-40°C	SEP-04-2018
3 (C)			
4 (D)			
5 (E)			

SCALE (比例) : 3 : 2
 TOLERANCE (公差) :
 0.00 mm ± 0.25mm
 0.0 mm ± 0.40mm
 ANGULAR : ± 5°
 FILE NAME : 5FSP0058

TITLE 圖名	Sub-Miniature Slide Switches <th>SIZE 圖紙</th> <td>A4</td>			SIZE 圖紙	A4
DWG NO. 圖號	5FS1S102M2QES			UNIT 單位	inch mm
REV. 版本	C	DATE 日期	APR - 23 - 2007	SHEET 張數	1 of 1
CHECKED BY 審核			DRAWN BY 製圖	FION	