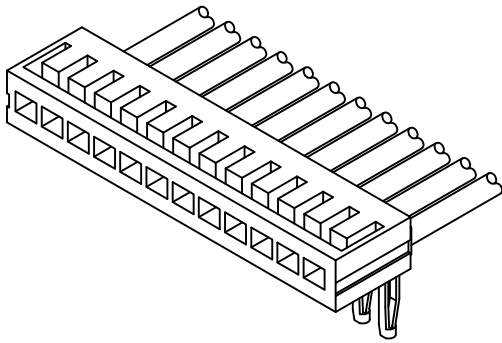


Specifications

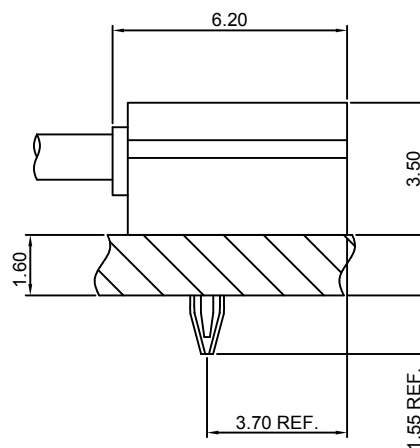
Current rating:2A AC,DC
Voltage rating:250V AC,DC
Temperature range:-40°C~+105°C
Contact resistance:20mΩMax.
Insulation resistance:1000MΩMin.
Withstanding voltage:800V AC/minute
Contact CJT for details



Standards



Assembly layout

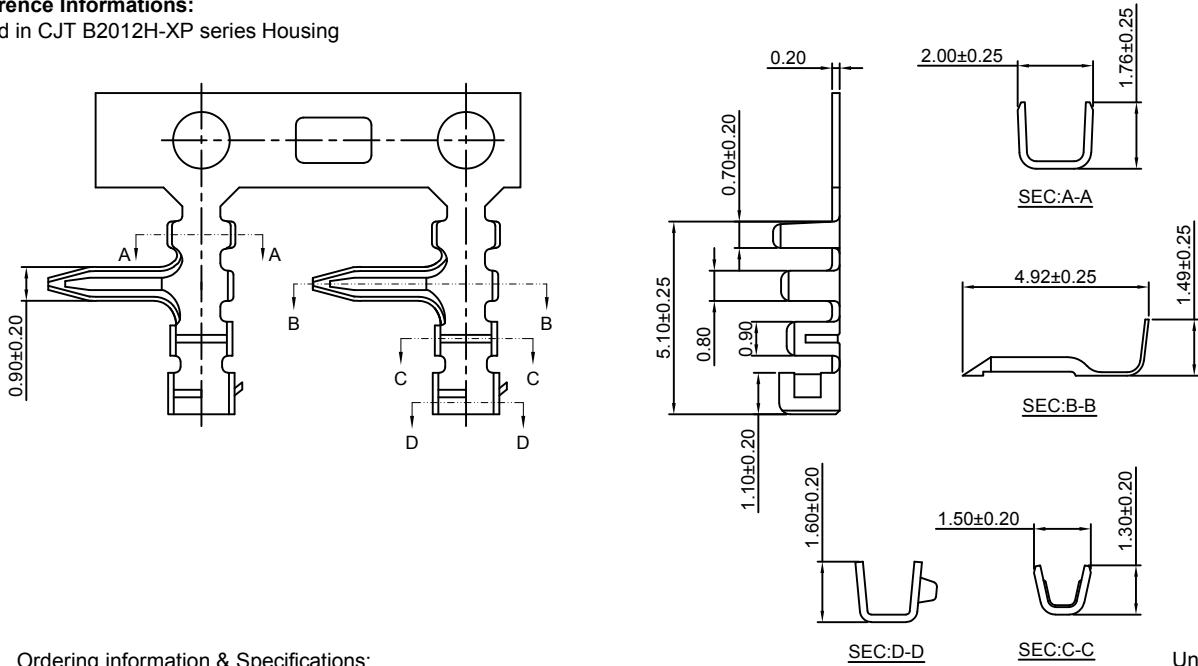


B2012-T

2.00mm pitch Crimp Terminal

Reference Informations:

*Used in CJT B2012H-XP series Housing



Ordering information & Specifications:

Part NO.	Wire Range	Insulation O.D.	Material	Finish	Qty/reel
B2012-TB	AWG#24-#30	1.30mm(max)	Brass	Tin over Nickel	10,000 PCS
B2012-TP	AWG#24-#30	1.30mm(max)	Phosphor Bronze	Tin over Nickel	10,000 PCS
B2012-GB	AWG#24-#30	1.30mm(max)	Brass	Gold over Nickel	10,000 PCS
B2012-GP	AWG#24-#30	1.30mm(max)	Phosphor Bronze	Gold over Nickel	10,000 PCS

Optional Gold plating available but MOQ requested

B2012H-XP

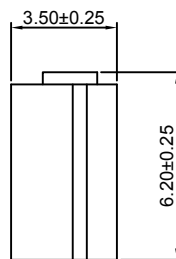
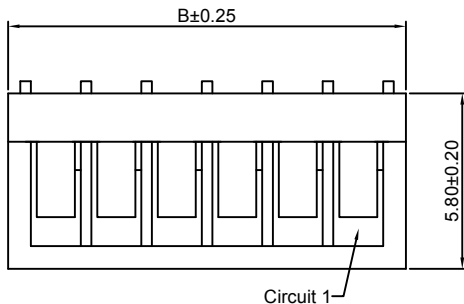
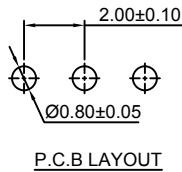
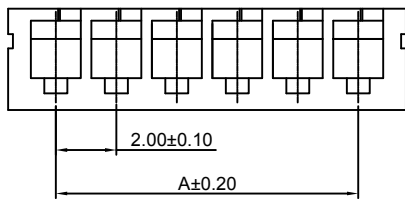
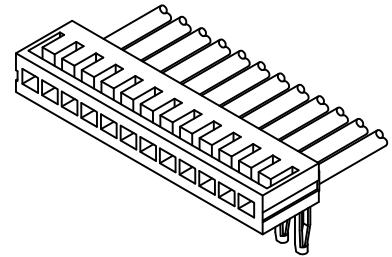
2.00mm pitch Housing

Reference Informations:

- *Material:Nylon 66,UL94V-0
- *Suitable CJT B2012-T series Terminal
- *Color:Natural(white)

Ordering Information:

- B2012H-XP - ***
 1 2
 1.Part No.
 2.Material:
 (blank):Nylon 66,UL94V-0
 GWT:Nylon 66,UL94V-0,GWT 750°C



Ordering Information & Dimensions:

PART NO.	Dimensions	
	A	B
2P	2.00	5.20
3P	4.00	7.20
4P	6.00	9.20
5P	8.00	11.20
6P	10.00	13.20
7P	12.00	15.20
8P	14.00	17.20
9P	16.00	19.20
10P	18.00	21.20
11P	20.00	23.20
12P	22.00	25.20
13P	24.00	27.20
14P	26.00	29.20
15P	28.00	31.20
16P	30.00	33.20

Unit: mm