

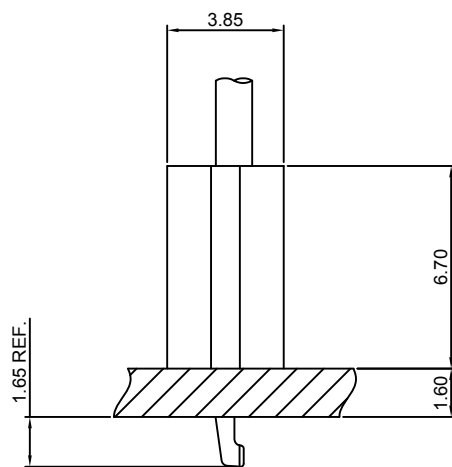
Specifications

- Current rating:3A AC,DC
- Voltage rating:250V AC,DC
- Temperature range:-40°C~+105°C
- Contact resistance:10mΩMax.
- Insulation resistance:1000MΩMin.
- Withstanding voltage:1000V AC/minute
- *Compliant with RoHS and REACH*
- *Meet the HF/Halogen Free,need to customize*
- *Contact CJT for details*

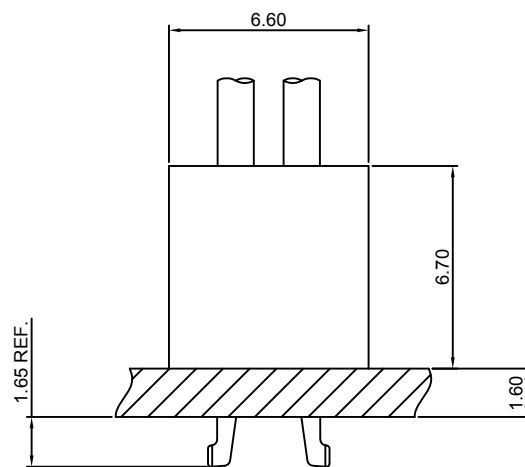
Standards



Assembly layout



Single Row



Dual Row



B2512 SERIES

2.50mm pitch board-in connector

B2512H-2xXP

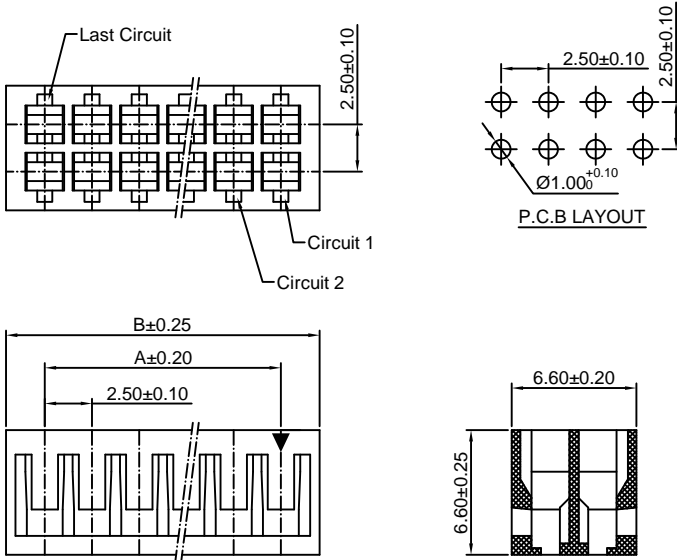
2.50mm pitch Dual Row Housing

Reference Informations:

- *Material:Nylon 66,UL94V-0
- *Suitable CJT B2512-T series Terminal
- *Color:Natural(white)

Ordering Information:

- B2512H-2xXP - ***
 1 2
 1.Part No.
 2.Material:
 (blank):Nylon 66,UL94V-0
 GWT:Nylon 66,UL94V-0,GWT 750°C



Ordering Information & Dimensions:

| PART NO. | Dimensions | | PART NO. | Dimensions | |
|----------|------------|-------|----------|------------|-------|
| | A | B | | A | B |
| 2x2P | 2.50 | 5.08 | 21P | 50.00 | 54.10 |
| 2x3P | 5.00 | 9.10 | 22P | 52.50 | 56.60 |
| 2x4P | 7.50 | 11.60 | 23P | 55.00 | 59.10 |
| 2x5P | 10.00 | 14.10 | 24P | 57.50 | 61.60 |
| 2x6P | 12.50 | 16.60 | 25P | 60.00 | 64.10 |
| 2x7P | 15.00 | 19.10 | 26P | 62.50 | 66.60 |
| 2x8P | 17.50 | 21.60 | 27P | 65.00 | 69.10 |
| 2x9P | 20.00 | 24.10 | 28P | 67.50 | 71.60 |
| 2x10P | 22.50 | 26.60 | 29P | 70.00 | 74.10 |
| 2x11P | 25.00 | 29.10 | 30P | 72.50 | 76.60 |
| 2x12P | 27.50 | 31.60 | 31P | 75.00 | 79.10 |
| 2x13P | 30.00 | 34.10 | 32P | 77.50 | 81.60 |
| 2x14P | 32.50 | 36.60 | 33P | 80.00 | 84.10 |
| 2x15P | 35.00 | 39.10 | 34P | 82.50 | 86.60 |
| 2x16P | 37.50 | 41.60 | 35P | 85.00 | 89.10 |
| 2x17P | 40.00 | 44.10 | 36P | 87.50 | 91.60 |
| 2x18P | 42.50 | 46.60 | 37P | 90.00 | 94.10 |
| 2x19P | 45.00 | 49.10 | 38P | 92.50 | 96.60 |
| 2x20P | 47.50 | 51.60 | | | |

Unit: mm

B2512WV-XP

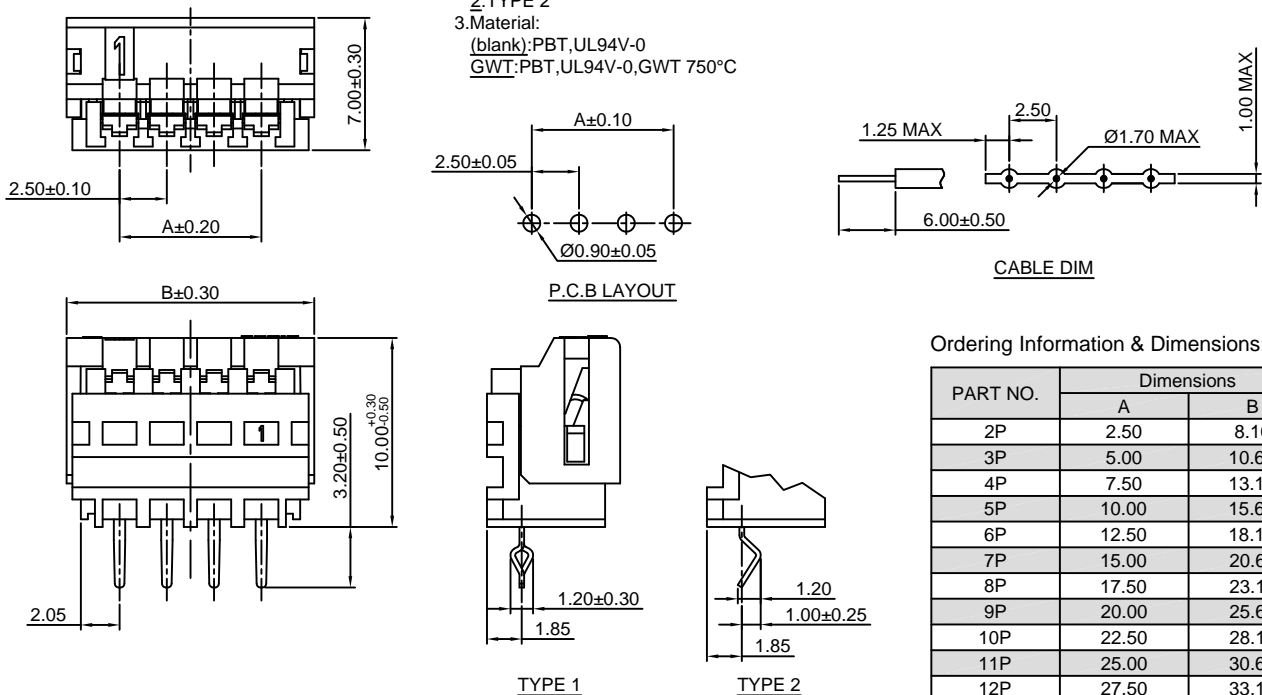
2.50mm pitch 180° Wafer

Reference Informations:

- *Material:Pin:Phosphor Bronze/Tin over Nickel
Insulator:PBT+15%GF, UL94V-0
- *Accepts Cable:Top Coated Wire(AWG#24~#26)
- *Color:white

Ordering Information:

- B2512WV-XP - * - ***
 1 2 3
 1.Part No.
 2.Style:
 (blank):TYPE 1
 2:TYPE 2
 3.Material:
 (blank):PBT,UL94V-0
 GWT:PBT,UL94V-0,GWT 750°C



Ordering Information & Dimensions:

| PART NO. | Dimensions | |
|----------|------------|-------|
| | A | B |
| 2P | 2.50 | 8.10 |
| 3P | 5.00 | 10.60 |
| 4P | 7.50 | 13.10 |
| 5P | 10.00 | 15.60 |
| 6P | 12.50 | 18.10 |
| 7P | 15.00 | 20.60 |
| 8P | 17.50 | 23.10 |
| 9P | 20.00 | 25.60 |
| 10P | 22.50 | 28.10 |
| 11P | 25.00 | 30.60 |
| 12P | 27.50 | 33.10 |

Unit: mm