

Specifications

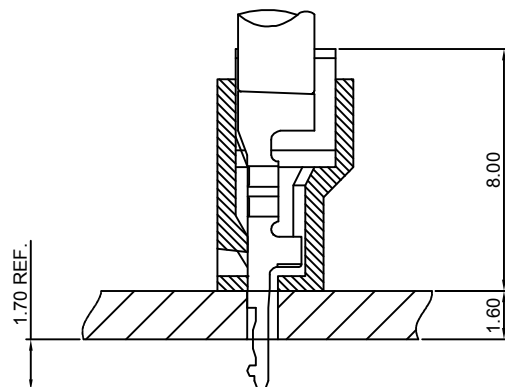
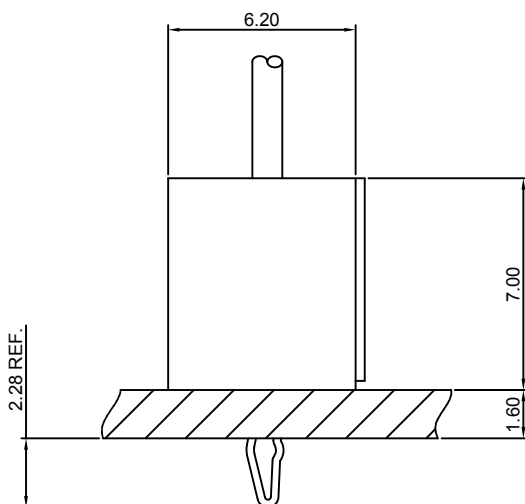
- Current rating:7A AC,DC
- Voltage rating:250V AC,DC
- Temperature range:-40°C~+105°C
- Contact resistance:10mΩMax.
- Insulation resistance:1000MΩMin.
- Withstanding voltage:1500V AC/minute
- *Compliant with RoHS and REACH*
- *Meet the HF/Halogen Free,GWT/Glow wire Test (IEC60335-1) request,need to customize*
- *Contact CJT for details*

Standards



E326732

Assembly layout

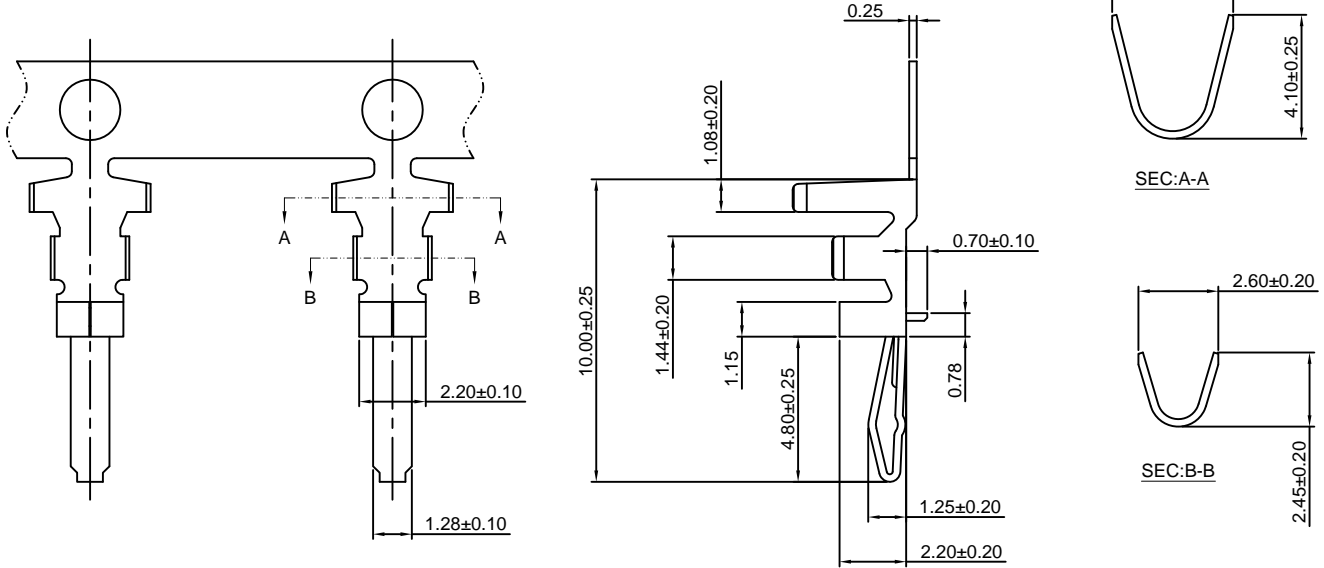


B3952-T

3.96mm pitch Crimp Terminal

Reference Informations:

*Used in CJT B3952H-XP,B3952H-F-XP series Housing



Ordering information & Specifications:

Unit:mm

Part NO.	Wire Range	Insulation O.D.	Material	Finish	Qty/reel
B3952-TB	AWG#18-#22	3.00mm(max)	Brass	Tin over Nickel	5,000 PCS
B3952-TP	AWG#18-#22	3.00mm(max)	Phosphor Bronze	Tin over Nickel	5,000 PCS
B3952-GB	AWG#18-#22	3.00mm(max)	Brass	Gold over Nickel	5,000 PCS
B3952-GP	AWG#18-#22	3.00mm(max)	Phosphor Bronze	Gold over Nickel	5,000 PCS

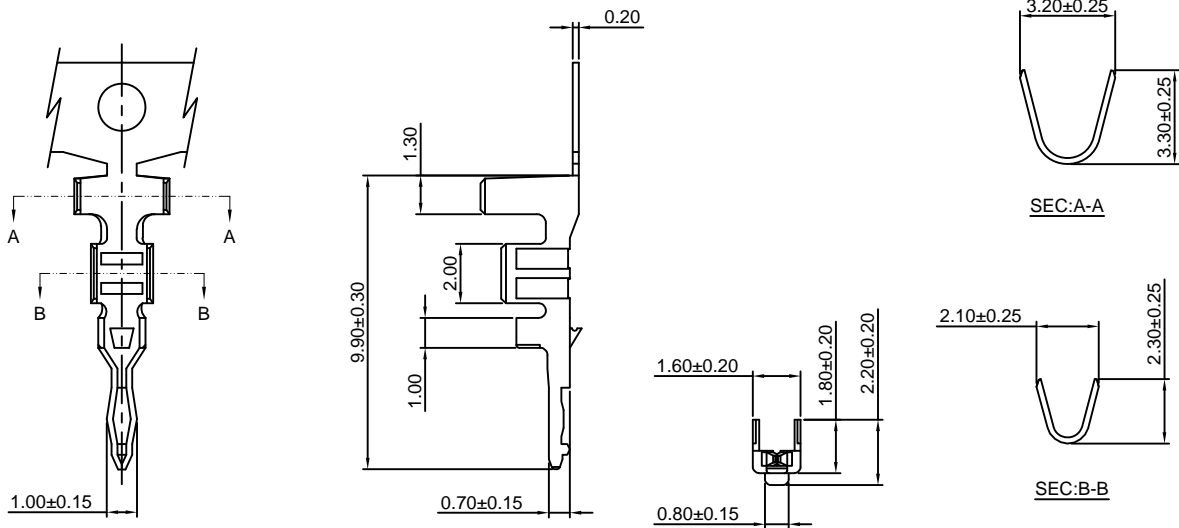
Optional Gold plating available but MOQ requested

B3952-T-A

4.00mm pitch Crimp Terminal

Reference Informations:

*Used in CJT B3952HA-XP series Housing



Ordering information & Specifications:

Unit:mm

Part NO.	Wire Range	Insulation O.D.	Material	Finish	Qty/reel
B3952-TB-A	AWG#18-#22	2.60mm(max)	Brass	Tin over Nickel	5,000 PCS
B3952-TP-A	AWG#18-#22	2.60mm(max)	Phosphor Bronze	Tin over Nickel	5,000 PCS
B3952-GB-A	AWG#18-#22	2.60mm(max)	Brass	Gold over Nickel	5,000 PCS
B3952-GP-A	AWG#18-#22	2.60mm(max)	Phosphor Bronze	Gold over Nickel	5,000 PCS

Optional Gold plating available but MOQ requested



B3952 SERIES

3.96mm pitch board-in connector

B3952H-XP

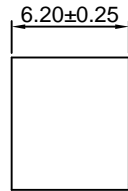
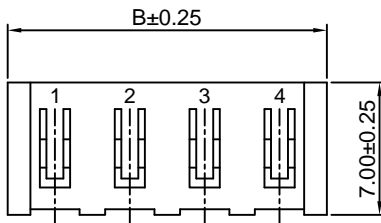
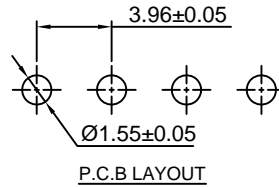
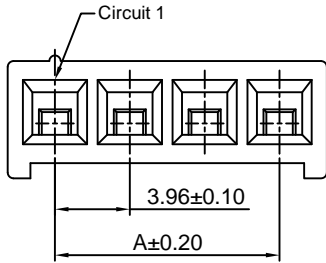
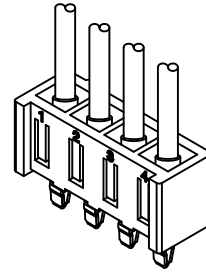
3.96mm pitch Housing

Reference Informations:

- *Material:Nylon 66,UL94V-0
- *Suitable CJT B3952-T series Terminal
- *Color:Natural(white)

Ordering Information:

- B3952H-XP - ***
 1 2
 1.Part No.
 2.Material:
 (blank):Nylon 66,UL94V-0
 GWT:Nylon 66,UL94V-0,GWT 750°C



Ordering Information & Dimensions:

PART NO.	Dimensions	
	A	B
2P	3.96	8.96
3P	7.92	12.92
4P	11.88	16.88
5P	15.84	20.84
6P	19.80	24.80
7P	23.76	28.76
8P	27.72	32.72
9P	31.68	36.68
10P	35.64	40.64
11P	39.60	44.60
12P	43.56	48.56
13P	47.52	52.52
14P	51.48	56.48
15P	55.44	60.44

Unit: mm

B3952H-F-XP

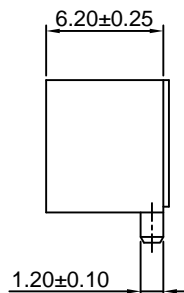
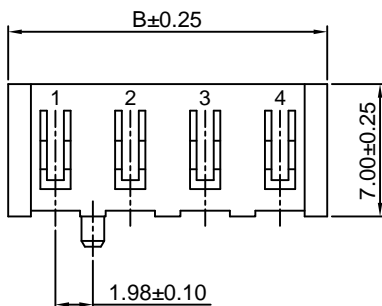
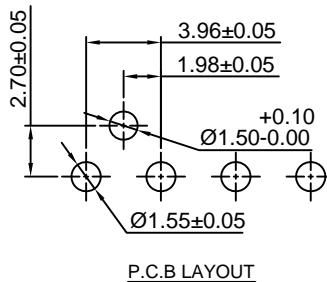
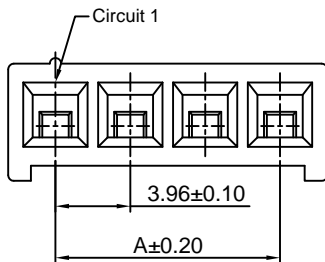
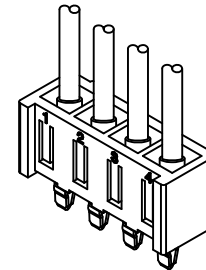
3.96mm pitch Housing

Reference Informations:

- *Material:Nylon 66,UL94V-0
- *Suitable CJT B3952-T series Terminal
- *Color:Natural(white)

Ordering Information:

- B3952H-F-XP - ***
 1 2
 1.Part No.
 2.Material:
 (blank):Nylon 66,UL94V-0
 GWT:Nylon 66,UL94V-0,GWT 750°C



Ordering Information & Dimensions:

PART NO.	Dimensions	
	A	B
2P	3.96	8.96
3P	7.92	12.92
4P	11.88	16.88
5P	15.84	20.84
6P	19.80	24.80
7P	23.76	28.76
8P	27.72	32.72
9P	31.68	36.68
10P	35.64	40.64
11P	39.60	44.60
12P	43.56	48.56
13P	47.52	52.52
14P	51.48	56.48
15P	55.44	60.44

Unit: mm



B3952 SERIES

3.96mm pitch board-in connector

B3952HA-XP

4.00mm pitch Housing

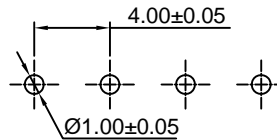
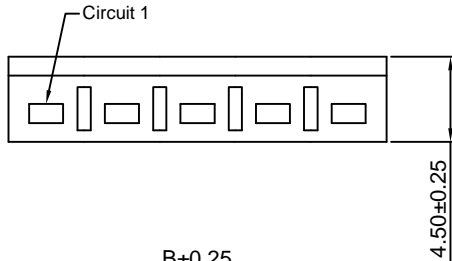
Reference Informations:

- *Material:Nylon 66,UL94V-0
- *Suitable CJT B3952-T-A series Terminal
- *Color:Natural(white)

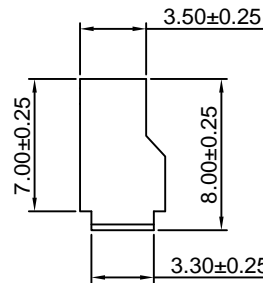
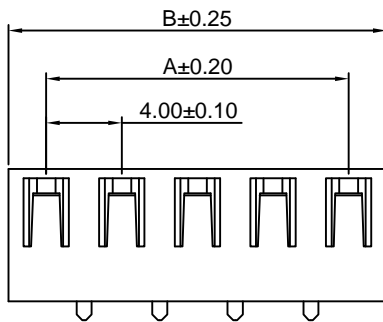
Ordering Information:

B3952HA-XP - ***
1 2

- 1.Part No.
- 2.Material:
(blank):Nylon 66,UL94V-0
GWT:Nylon 66,UL94V-0,GWT 750°C



P.C.B LAYOUT



Ordering Information & Dimensions:

PART NO.	Dimensions	
	A	B
2P	4.00	8.00
3P	8.00	12.00
4P	12.00	16.00
5P	16.00	20.00
6P	20.00	24.00
7P	24.00	28.00
8P	28.00	32.00
9P	32.00	36.00
10P	36.00	40.00
11P	40.00	44.00
12P	44.00	48.00
13P	48.00	52.00
14P	52.00	56.00
15P	56.00	60.00

Unit: mm