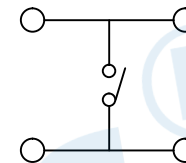
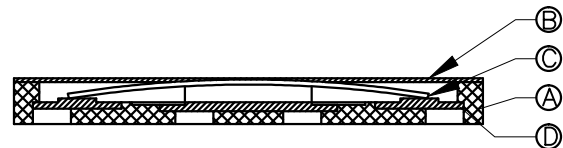
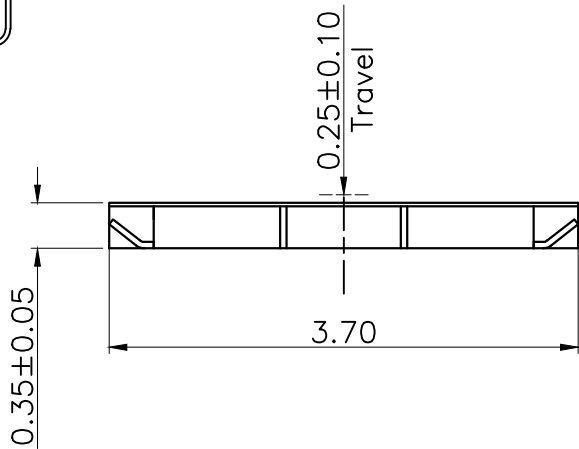
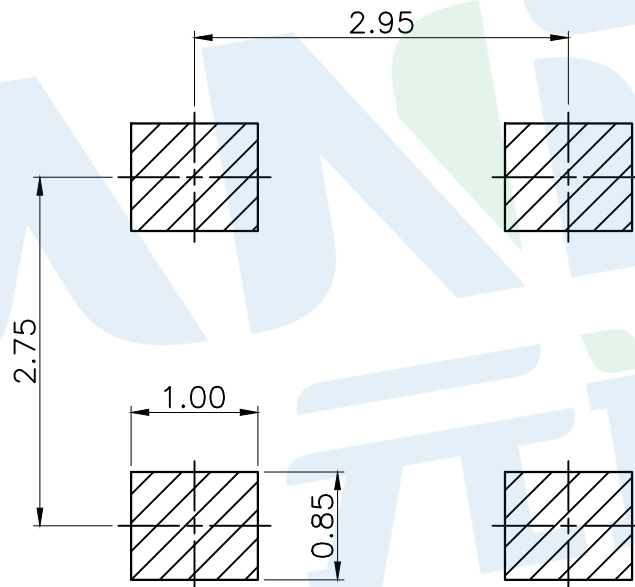
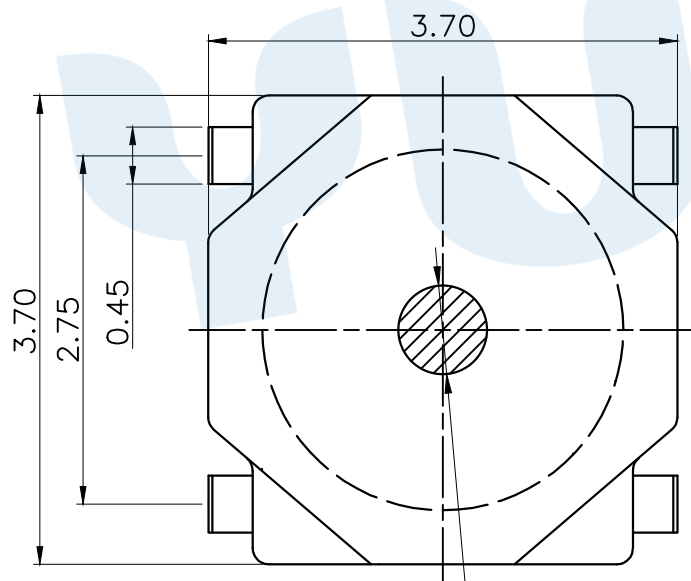


RoHS



Circuit Diagram



PCB Layout (Pattern Side)

OPERATING FORCE	
CODE	VIGOR
B2	180±30gf
B3	250±30gf

④	Terminal		4	Phosphor copper	Silvering
③	Reed		1	SUS	Silvering covered
②	Dust film		1	Polyimide tape	
①	Base		1	LCP	Black
NO.	Name	Number	Qty	Materil	Remarks

YUANDI® Yuandi Electronics Co., Ltd

design	date	name	TACT SWITCHS
Review	date	name	TS-1057U-B□
Approved	date	name	

Drawing number: Proportion: 1:1 unit: mm gage number:

modify Review Approved Tolerance not specified

A4