

## HY602402E

### Electrical Specification @25°C

RoHS Compliant (PB Free)

Operating Temperature Range: -40°C ~ +85°C

Isolation: 1500Vrms 0.5mA 60sec (Primary to Secondary)

OCL: 350uH Minimum @100KHz 100mV with 8mA DC

Insertion Loss: -1.0dB Maximum @1MHz ~ 100MHz

Return Loss: -18dB Minimum @1MHz ~ 30MHz

-14.4dB Minimum @40MHz / -13.1dB Minimum @50MHz

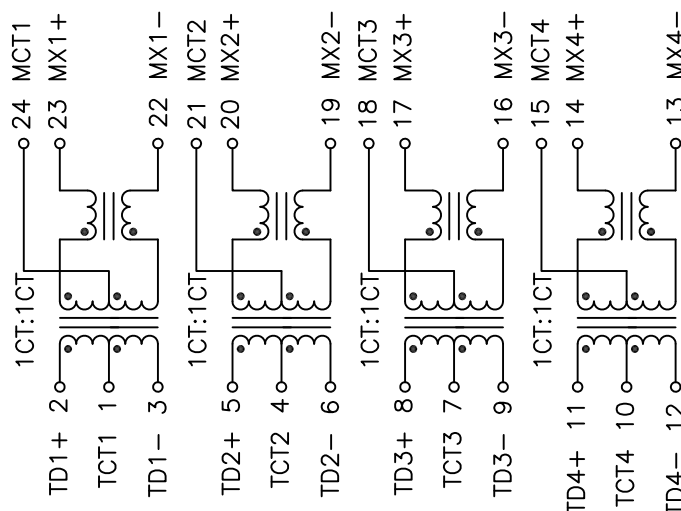
-12dB Minimum @60MHz ~ 80MHz / -10dB Minimum @100MHz

Differential to Common Mode Rejection: -43dB Minimum @30MHz

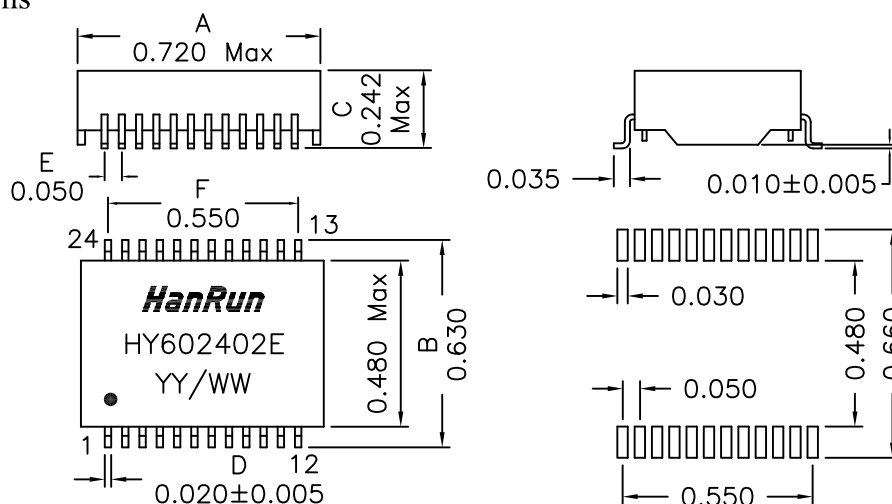
-37dB Minimum @60MHz / -33dB Minimum @100MHz

Crosstalk: -45dB Minimum @30MHz / -40dB Minimum @60MHz / -35dB Minimum @100MHz

### Schematics



### Mechanical Dimensions



Dimensions in inches

Unless otherwise specified, Tolerance: .xxx ±0.010

REV.: A/1

(SUGGESTED PCB PAD LAYOUT)

1 of 1