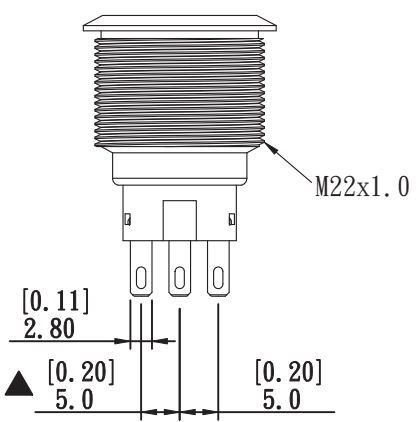
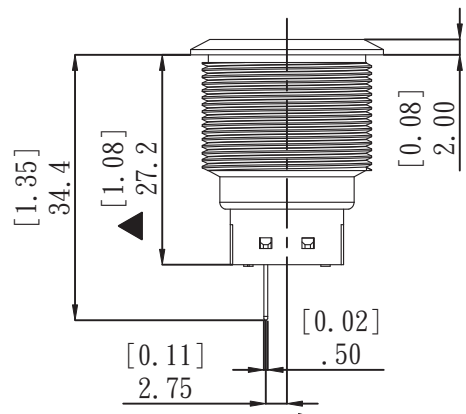
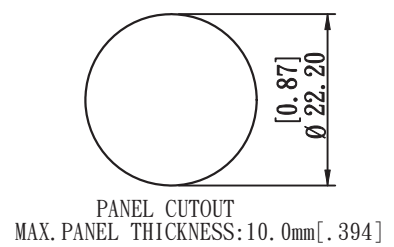
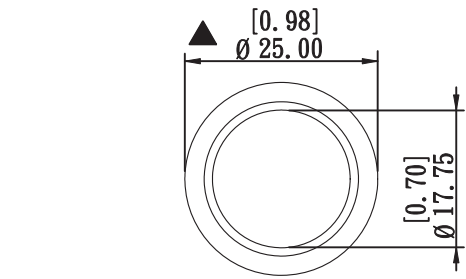
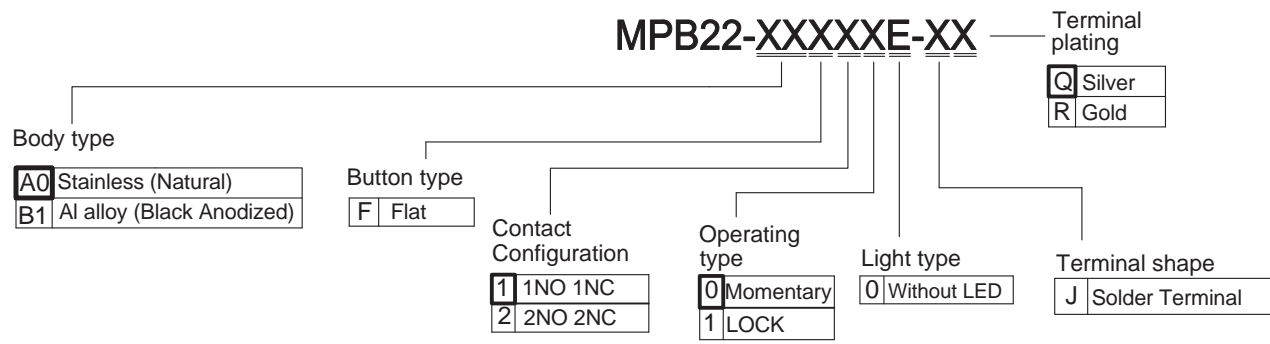


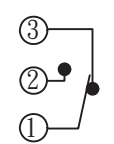
MATERIAL:
 BUSHING: Stainless Steel.
 BASE: PBT(UL 94-V0) , PC(UL 94-V2)
 ACTUATOR: PC ; Stainless Steel.
 INNER ASSEMBLY: POM / PA66
 SPRING: spring steel.
 SEALING: Silicone.
 O-Ring:Silicone.
 TERMINAL/CONTACT: Copper ,Silver plated.
 HEX NUT: Nickel plated brass.
 RoHS

本公司智慧財產，未經同意不得複製
 DAILYWELL copyright, may not be used
 without permission from DAILYWELL

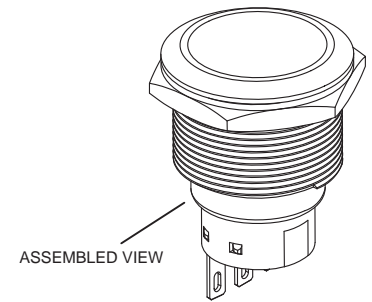
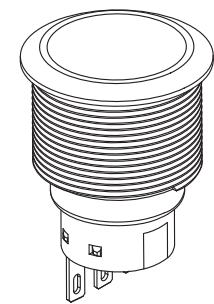
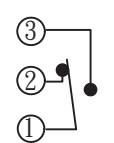
MPB22-XXXXXE-XX



POSITION 1



POSITION 2



SPECIFICATIONS

- CONTACT MATERIAL: SILVER.
- RATING: 1th 5A/250VAC. resistive load 3A/250VAC.
- ELECTRICAL LIFE: 50,000 MAKE-AND-BREAK CYCLES AT FULL LOAD.
- MECHANICAL LIFE: Momentary 1,000,000.
- INSULATION RESISTANCE: 1,000MΩ MIN AT 500VDC .
- DELECTRIC STRENGTH: 2,000V RMS@sea level.
- CONTACT RESISTANCE: 50mΩ MAX. @1A 12VDC (initial value).
- OPERATING TEMPERATURE: -20°C to 55°C .
- TRAVEL: ABOUT 3.2mm.
- OPERATION PRESSURE: 1Pole 1.5~2.5N. / 2Pole 2.2~3.5N.
- INGRESS PROTECTION: IP67,IK10(Stainless).
- TORQUE: 5~14Nm.

德利威電子股份有限公司
 DAILYWELL ELECTRONICS CO.,LTD.

符號	原尺寸	修改後尺寸	變更日期
1	Ⓐ		
2	Ⓑ		
3	Ⓒ		
4	Ⓓ		
5	Ⓔ		

SCALE(比例): 1:1
TOLERANCE (公差):
 0.00 mm ± 0.25mm
 0.0 mm ± 0.40mm
ANGULAR: ± 2°
 FILE NAME : MPB22-0128

TITLE 圖名	METAL PUSHBUTTON SWITCH	SIZE 圖紙	A4
DWG NO. 圖號	MPB22-A0F100-JQ	UNIT 單位	inch mm
REV. 版本	A	DATE 日期	MAY - 05 - 2016
CHECKED BY 審核	簡光萬	SHEET 張數	1 of 1
		DRAWN BY 製圖	IRENE