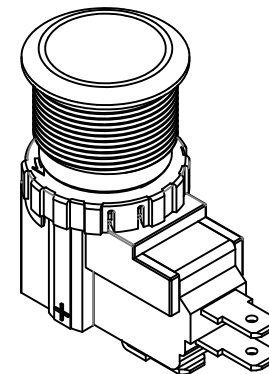
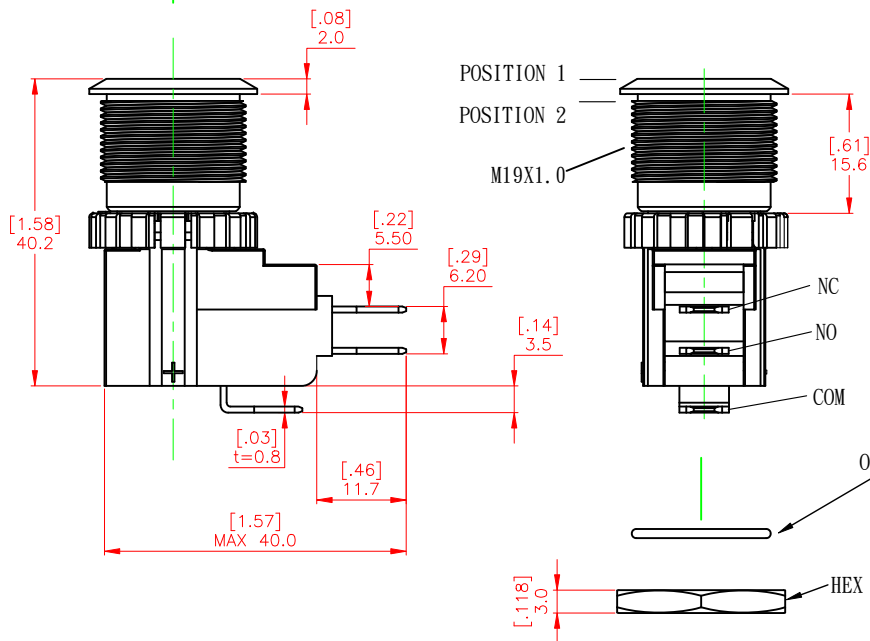
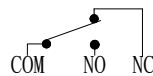
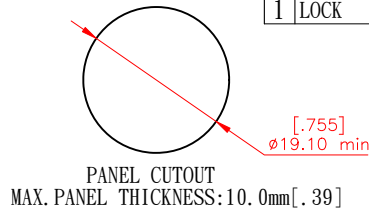
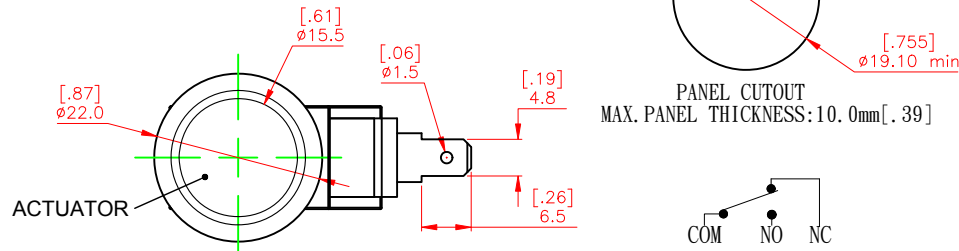
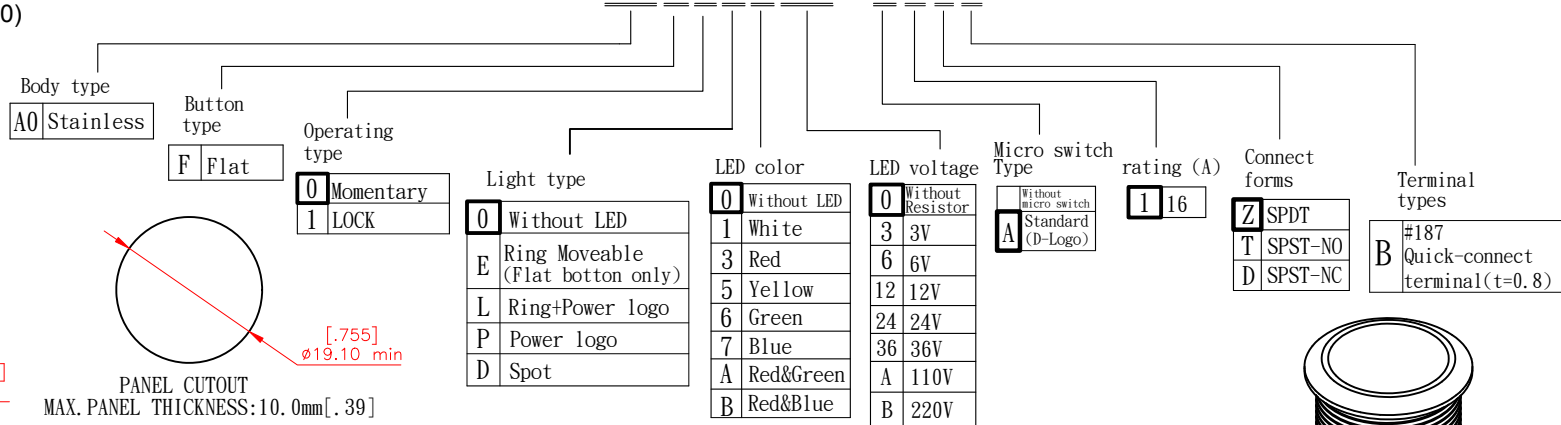


MATERIAL:
BUSHING: Stainless Steel.
BASE: PBT(UL 94-V0) ; PC(UL94-V2) ; PA6T(UL94-V0)
ACTUATOR: PC(UL 94-V2);Stainless Steel.
INNER ASSEMBLY: POM/PA66
SPRING: Steel.
SEALING: Silicone.
O-Ring: Silicone.
TERMINAL/CONTACT: Brass ,Silver plated.
HEX NUT : Nickel plated brass.

MW19-XXXXXXXX - XXXX



SPECIFICATIONS

- CONTACT MATERIAL: SILVER
- RATING: 16A 250/125VAC.
- ELECTRICAL LIFE: 16A /125&250VAC 50,000 CYCLES
- MECHANICAL LIFE: Momentary 1,000,000.
- INSULATION RESISTANCE: 100MΩ MIN AT 500VDC .
- DELECTRIC STRENGTH: 1,500V RMS@sea level.
- CONTACT RESISTANCE: 50mΩ MAX.@1A 12VDC(inital value).
- OPERATING TEMPERATURE: -25°C to 85°C
- TRAVEL: ABOUT 3.2mm.
- OPERATION PRESSURE: 3.5±1.5N
- INGRESS PROTECTION: IP67,IK08(Stainless Steel).
- TORQUE: 1~3Nm.

本公司智慧財產，未經同意不得複製
 DAILYWELL copyright, may not be used
 without permission from DAILYWELL

德利威電子股份有限公司
 DAILYWELL ELECTRONICS CO.,LTD.

符號	原尺寸	修改後尺寸	變更日期
1	(A)		
2	(B)		
3	(C)		
4	(D)		
5	(E)		

SCALE (比例): 1:1
TOLERANCE (公差):
 0.00 mm ± 0.25mm
 0.0 mm ± 0.40mm
ANGULAR: ± 2°
FILE NAME : MW19-0011

TITLE 圖名	METAL PUSHBUTTON SWITCH	SIZE 圖紙	A4
DWG NO. 圖號	MW19-A0F0000-A1ZB	UNIT 單位	inch mm
REV. 版本	A	DATE 日期	JUN - 14 - 2018
CHECKED BY 審核	陳燈財	SHEET 張數	1 of 1
DRAWN BY 製圖	IRENE		