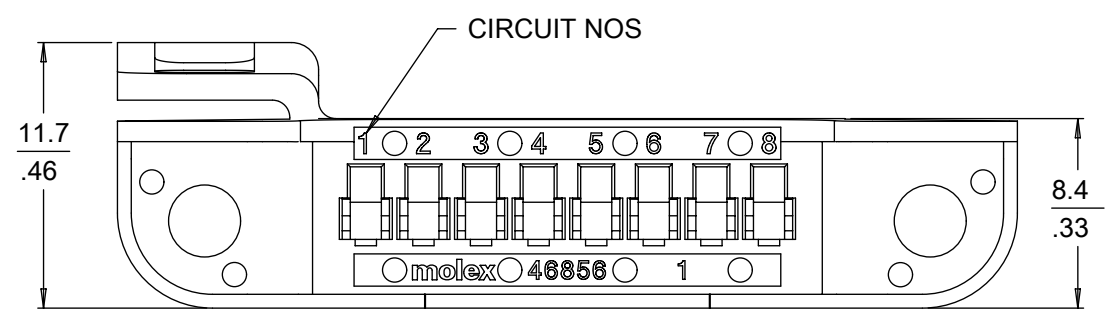
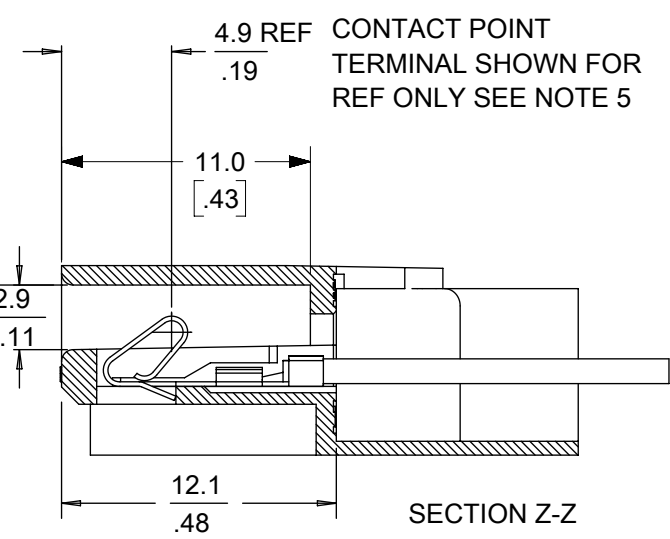
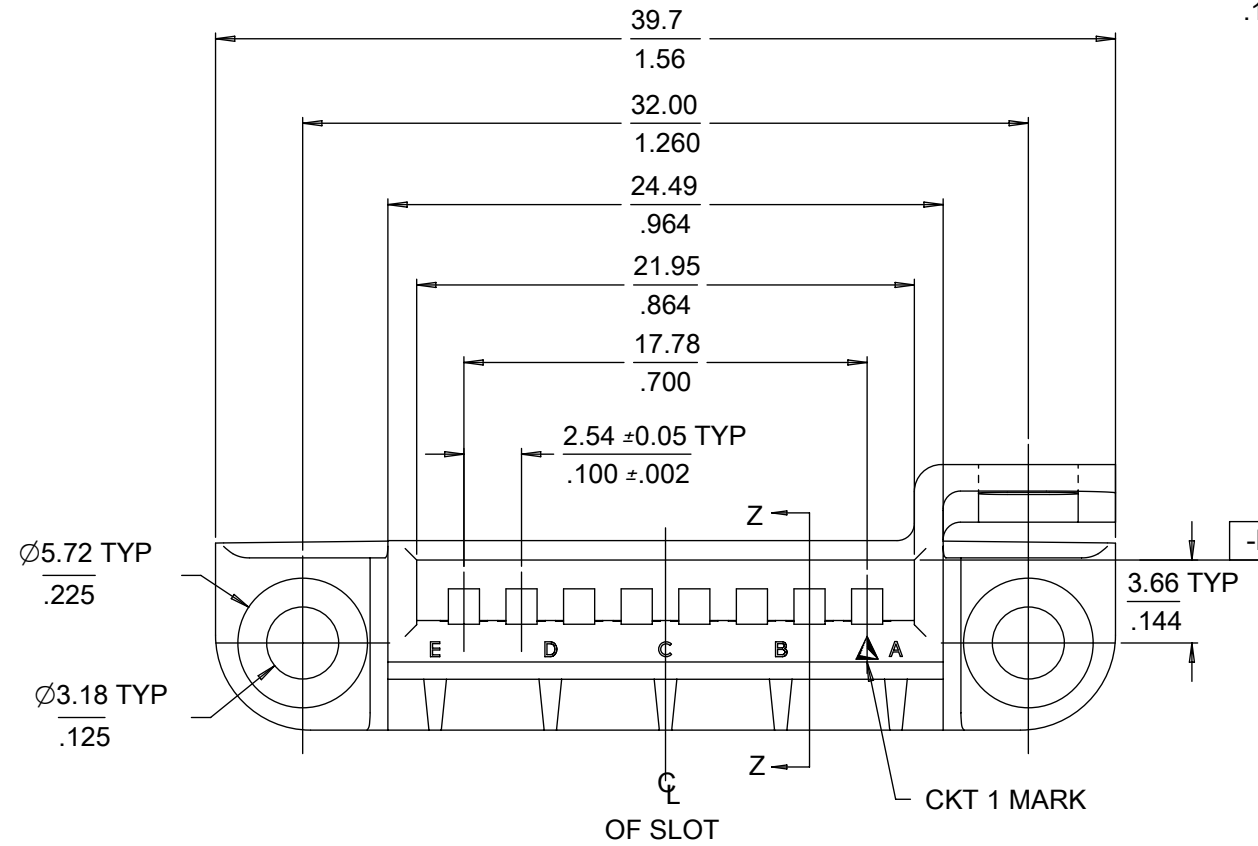
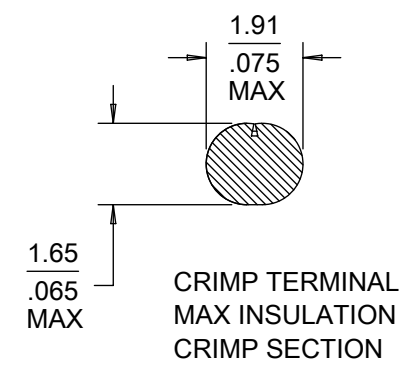


MATERIAL NO	RIB LOCATIONS
46856-0001	A,B,C
46856-0002	A,B,D
46856-0003	A,B,E
46856-0004	B,C,D
46856-0005	B,C,E
46856-0006	C,D,E
46856-0007	B,D,E
46856-0008	A,D,E
46856-0009	A,C,D
46856-0010	A,C,E
46856-0011	NONE

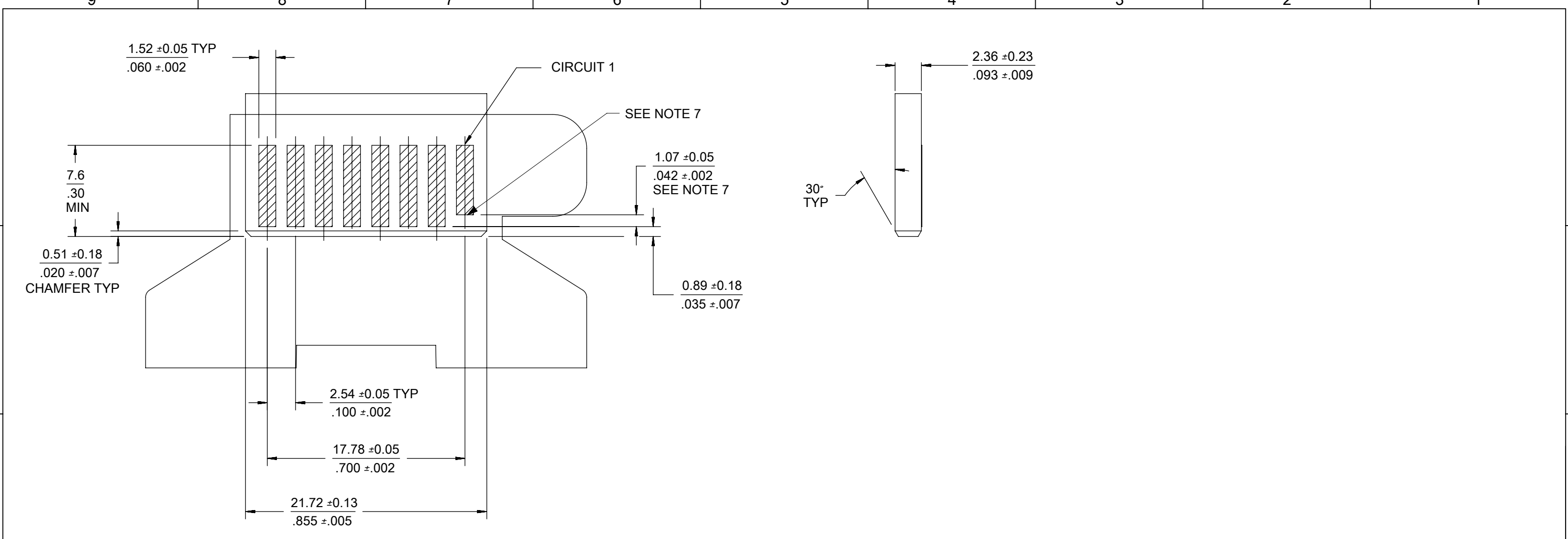


- NOTES:
1. MATERIAL: GLASS-FILLED POLYESTER (PBT), UL94V-0, COLOR: BLACK
 2. FINISH: NA
 3. PRODUCT SPECIFICATION: PS-10-07
 4. PACKAGING SPECIFICATION: 468560000-PK
 5. HOUSING ACCEPTS TERMINAL NO: 2759 OR 6459 WITH 1.35/.053 MAX INSULATION DIA
 6. COSMETIC SPECIFICATION: PS-45499-002 CLASS B
 7. PAD DIMENSION IF MAKE-FIRST BREAK-LAST FUNCTION IS DESIRED. CAN BE APPLIED TO ANY CIRCUIT(S).

THIS DRAWING CONTAINS INFORMATION THAT IS PROPRIETARY TO MOLEX ELECTRONIC TECHNOLOGIES, LLC AND SHOULD NOT BE USED WITHOUT WRITTEN PERMISSION

4.65 DIMENSION	2016/11/18	GENERAL TOLERANCES (UNLESS SPECIFIED)		DIMENSION UNITS	SCALE				
	2017/07/28	MM	INCH	MM/IN	3:1				
	2017/07/31	4 PLACES	±	±	DRWN BY		DATE		
	2017/07/31	3 PLACES	±	± 0.005	MKIPPER		2016/07/28		
EC NO: 112325	DRWN: MKIPPER	2 PLACES	± 0.13	± 0.01	CHK'D BY	DATE			
DRWN: MKIPPER	CHK'D: JBELL	1 PLACES	± 0.25	±	JBELL	2016/07/28			
CHK'D: JBELL	APPR: FSMITH	0 PLACES	±	±	APPR BY	DATE			
APPR: FSMITH	FSMITH-ROEMER	ANGULAR TOL ±		DRAWING SIZE	THIRD ANGLE PROJECTION	PRODUCT CUSTOMER DRAWING			
		DRAFT WHERE APPLICABLE MUST REMAIN WITHIN DIMENSIONS		B		SERIES	MATERIAL NUMBER	CUSTOMER	
						46856	SEE CHART	GENERAL MARKET	
						DOCUMENT NUMBER	DOC TYPE	DOC PART	SHEET NUMBER
						468560000-SD	PSD	000	1 OF 2

SD_MODEL: RCM-46856-0000	RELEASE STATUS	P1	RELEASE DATE	31.07.2017	20:01:30
--------------------------	----------------	----	--------------	------------	----------



PCB LAYOUT: CONTACT SIDE
(AS VIEWED FROM THE
BOTTOM OF PCB)

THIS DRAWING CONTAINS INFORMATION THAT IS PROPRIETARY TO MOLEX ELECTRONIC TECHNOLOGIES, LLC AND SHOULD NOT BE USED WITHOUT WRITTEN PERMISSION

4.65 DIMENSION	EC NO: 112325 DRWN: MKIPPER CHK'D: JBELL APPR: FSMITH	GENERAL TOLERANCES (UNLESS SPECIFIED)		DIMENSION UNITS	SCALE			
				MM/IN	3:1			
				MM	INCH		DRWN BY	DATE
		4 PLACES	±	±	MKIPPER		2016/07/28	
		3 PLACES	±	± 0.005	CHK'D BY		DATE	
		2 PLACES	± 0.13	± 0.01	JBELL		2016/07/28	
1 PLACES	± 0.25	±	APPR BY	DATE				
0 PLACES	±	±	FSMITH-ROEMER	2016/07/28				
ANGULAR TOL ±				DRAWING SIZE	THIRD ANGLE PROJECTION			
DRAFT WHERE APPLICABLE MUST REMAIN WITHIN DIMENSIONS				B				
RELEASE STATUS		P1	RELEASE DATE	31.07.2017	20:01:30			
SERIES		MATERIAL NUMBER		CUSTOMER				
46856		SEE CHART		GENERAL MARKET				
DOCUMENT NUMBER			DOC TYPE	DOC PART	SHEET NUMBER			
468560000-SD			PSD	000	2 OF 2			