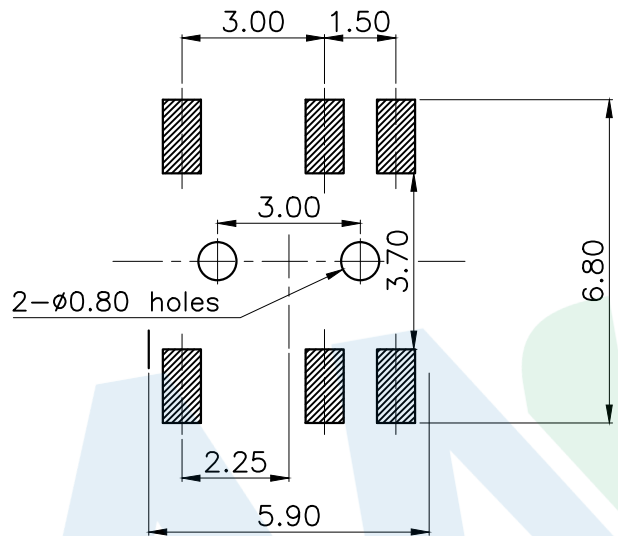
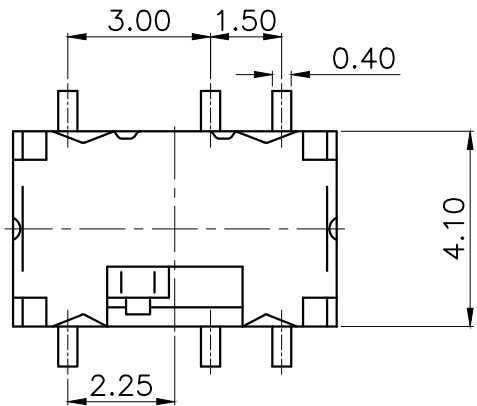
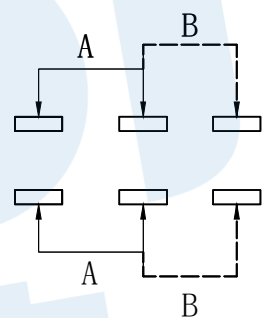
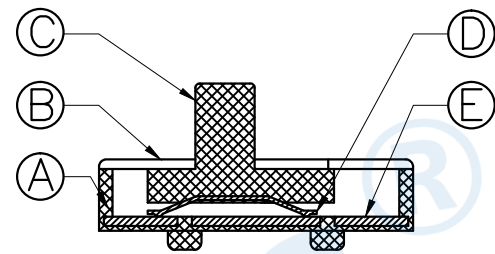


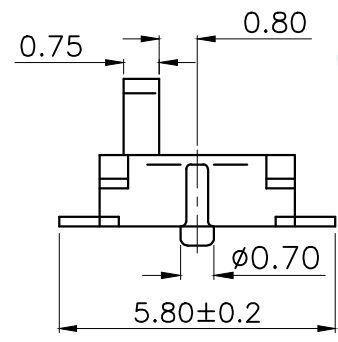
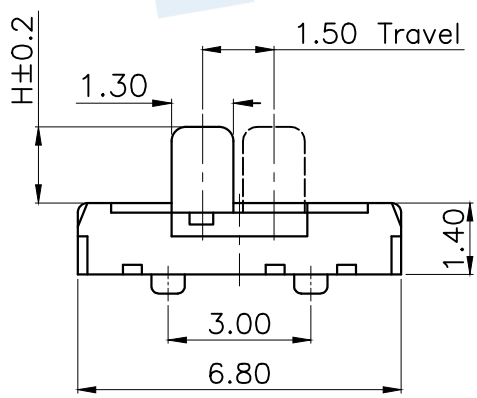
RoHS



PCB Layout(Pattern side)



Circuit Diagram



Code	H	Operating force
A1	1.5	250±100gf
A2	2.0	

Ⓕ	Shrapnel		1	SUS	Natural
Ⓖ	Terminal		6	Brass	Silver
Ⓓ	Contact reed		2	Phosphor Bronze	Silver covered
Ⓒ	Handle		1	PPA	Black
Ⓑ	Cover		1	Phosphor Copper	Silver
Ⓐ	Base		1	LCP	Black
NO.	Name	Number	Qty	Materil	Remarks

YUANDI® Yuandi Electronics Co, Ltd

design	date	name	TOGGLE SWITCH
Review	date	name	TA-3541A-A□
Approved	date	name	

Drawing number: Proportion 1:1 unit mm gage number A4

modify Review Approved Tolerance not specified

angle	±2'
10~30	±0.30
5~10	±0.20
~ 5	±0.10