



SOP8 Plastic-Encapsulate MOSFETS

CJQ07N10 N-Channel Power MOSFET

DESCRIPTION

The device is the highest performance trench N-ch MOSFETs with extreme high cell density, which provide excellent $R_{DS(on)}$ and gate charge for most of the synchronous buck converter applications. 100% EAS guaranteed with full function reliability approved.

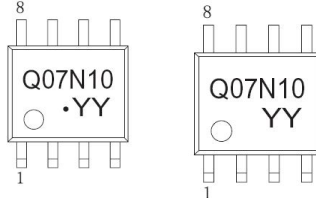
FEATURES

- Advanced high cell density Trench technology
- Super Low Gate Charge
- Green Device Available

APPLICATIONS

- Secondary Synchronous Rectifier
- LED TV Back Light

MARKING



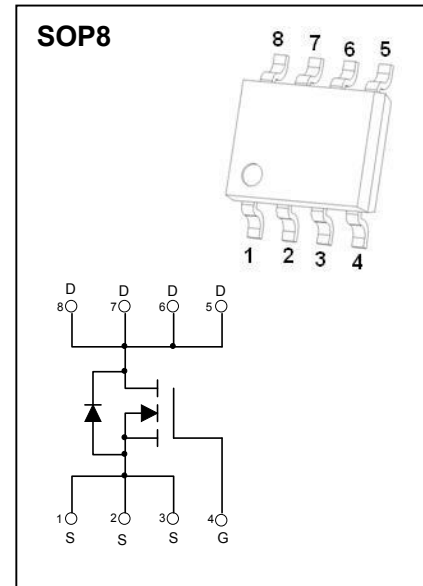
Front side

Q07N10= Device code

Solid dot=Pin1 indicator

Solid dot = Green molding compound device,
if none, the normal device

YY=Date Code



MAXIMUM RATINGS ($T_a=25^\circ\text{C}$ unless otherwise noted)

Parameter	Symbol	Limit	Unit
Drain-Source Voltage	V_{DS}	100	V
Gate-Source Voltage	V_{GS}	± 20	V
Continuous Drain Current	I_D	7	A
Pulsed Drain Current	I_{DM}	28	A
Single Pulsed Avalanche Energy	$E_{AS}^{(1)}$	16	mJ
Power Dissipation	P_D	1.4	W
Thermal Resistance from Junction to Ambient	$R_{\theta JA}$	89	$^\circ\text{C/W}$
Junction Temperature	T_J	150	$^\circ\text{C}$
Storage Temperature Range	T_{stg}	-55 ~ +150	$^\circ\text{C}$
Lead Temperature for Soldering Purposes(1/8" from case for 10s)	T_L	260	$^\circ\text{C}$

(1). E_{AS} condition: $V_{DD}=25\text{V}$, $L=0.1\text{mH}$, $R_G=25\Omega$, Starting $T_J = 25^\circ\text{C}$

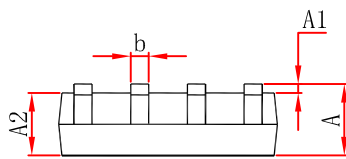
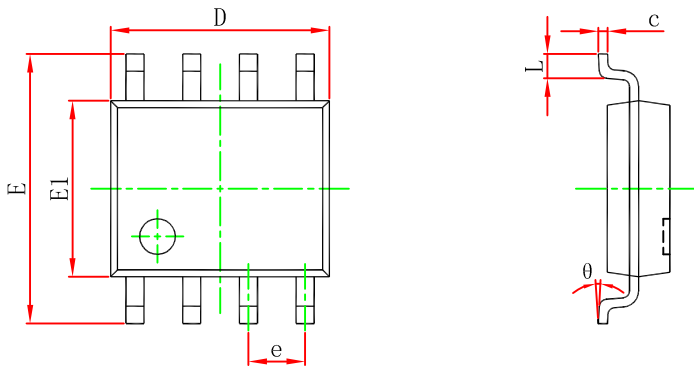
ELECTRICAL CHARACTERISTICS(T_a=25°C unless otherwise specified)

Parameter	Symbol	Test Condition	Min	Typ	Max	Unit
Off characteristics						
Drain-source breakdown voltage	V _{(BR)DSS}	V _{GS} = 0V, I _D =250μA	100			V
Zero gate voltage drain current	I _{DSS}	V _{DS} =80V, V _{GS} =0V			1	μA
Gate-body leakage current	I _{GSS}	V _{DS} =0V, V _{GS} =±20V			±100	nA
On characteristics (note1)						
Gate-threshold voltage	V _{GS(th)}	V _{DS} =V _{GS} , I _D =250μA	1.2		3.0	V
Static drain-source on-state resistance	R _{DS(on)}	V _{GS} =10V, I _D =7A		25	28	mΩ
		V _{GS} =4.5V, I _D =5A		30	38	mΩ
Forward transconductance	g _{fs}	V _{DS} =5V, I _D =7A		22		S
Dynamic characteristics (note 2)						
Input capacitance	C _{iss}	V _{DS} =15V, V _{GS} =0V, f =1MHz		1848		pF
Output capacitance	C _{oss}			276		
Reverse transfer capacitance	C _{rss}			97.9		
Switching characteristics (note 2)						
Total gate charge	Q _g	V _{DS} =80V, V _{GS} =10V, I _D =7A		31.9		nC
Gate-source charge	Q _{gs}			5.5		
Gate-drain charge	Q _{gd}			8.8		
Turn-on delay time	t _{d(on)}	V _{DD} =50V, I _D =7A, V _{GS} =10V, R _G =3.3Ω, R _L =6.7Ω		11.4		ns
Turn-on rise time	t _r			27.2		
Turn-off delay time	t _{d(off)}			34.7		
Turn-off fall time	t _f			16.6		
Gate Resistance	R _g	f =1MHz, V _{DS} =0V, V _{GS} =0V,		1.9		Ω
Drain-Source Diode Characteristics						
Drain-source diode forward voltage(note1)	V _{SD}	V _{GS} =0V, I _S =1A			1.2	V
Continuous drain-source diode forward current	I _S				7	A
Pulsed drain-source diode forward current	I _{SM}				28	A

Notes:

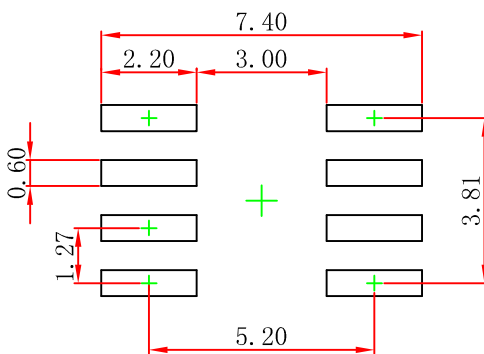
1. Pulse Test : Pulse Width≤300μs, duty cycle ≤2%.
2. Guaranteed by design, not subject to production testing.

SOP8 Package Outline Dimensions



Symbol	Dimensions In Millimeters		Dimensions In Inches	
	Min	Max	Min	Max
A	1.350	1.750	0.053	0.069
A1	0.100	0.250	0.004	0.010
A2	1.350	1.550	0.053	0.061
b	0.330	0.510	0.013	0.020
c	0.170	0.250	0.007	0.010
D	4.800	5.000	0.189	0.197
e	1.270 (BSC)		0.050 (BSC)	
E	5.800	6.200	0.228	0.244
E1	3.800	4.000	0.150	0.157
L	0.400	1.270	0.016	0.050
θ	0°	8°	0°	8°

SOP8 Suggested Pad Layout



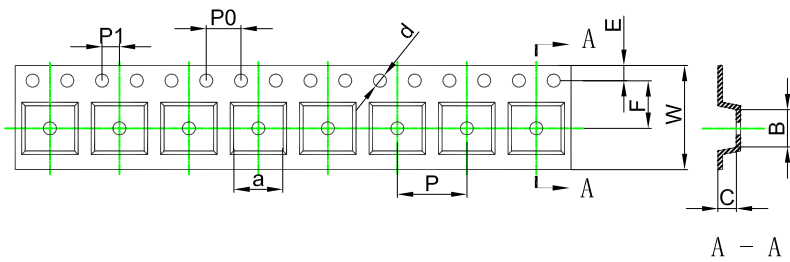
- Note:
1. Controlling dimension: in millimeters.
 2. General tolerance: $\pm 0.05\text{mm}$.
 3. The pad layout is for reference purposes only.

NOTICE

JCET reserve the right to make modifications, enhancements, improvements, corrections or other changes without further notice to any product herein. JCET does not assume any liability arising out of the application or use of any product described herein.

SOP8 Tape and Reel

SOP8 Embossed Carrier Tape



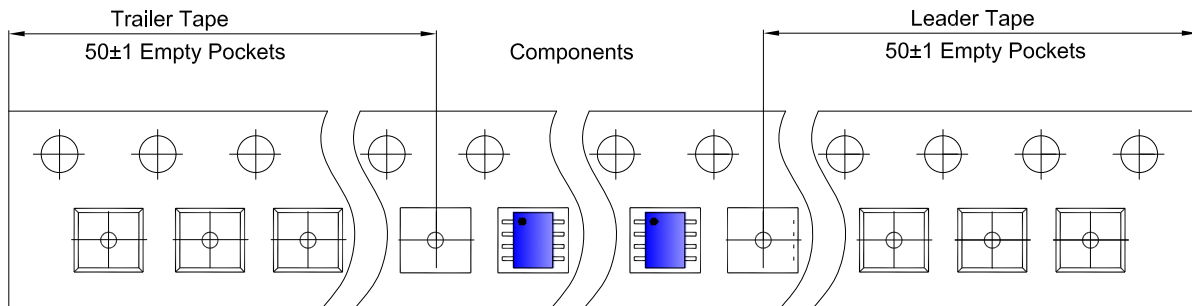
Packaging Description:

SOP8 parts are shipped in tape. The carrier tape is made from a dissipative (carbon filled) polycarbonate resin. The cover tape is a multilayer film (Heat Activated Adhesive in nature) primarily composed of polyester film, adhesive layer, sealant, and anti-static sprayed agent. These reeled parts in standard option are shipped with 2,500 units per 13" or 33cm diameter reel. The reels are clear in color and is made of polystyrene plastic (anti-static coated).

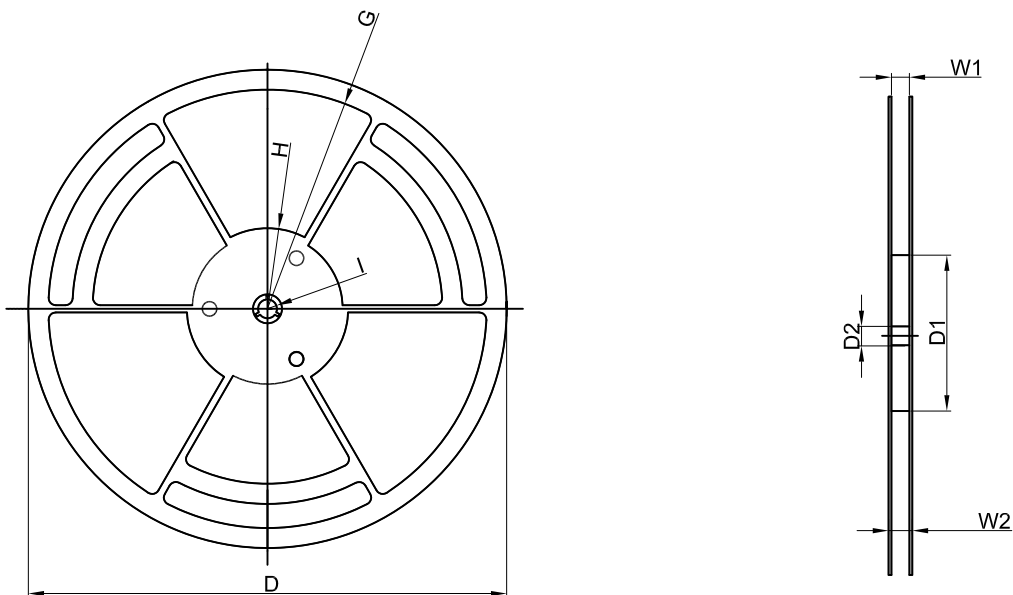
ALL DIM IN mm

Dimensions are in millimeter										
Pkg type	a	B	C	d	E	F	P0	P	P1	W
SOP8	6.40	5.40	2.10	Ø1.50	1.75	5.50	4.00	8.00	2.00	12.00

SOP8 Tape Leader and Trailer



SOP8 Reel



Dimensions are in millimeter								
Reel Option	D	D1	D2	G	H	I	W1	W2
13" Dia	Ø330.00	100.00	13.00	R151.00	R56.00	R6.50	12.40	17.60

REEL	Reel Size	Box	Box Size(mm)	Carton	Carton Size(mm)	G.W.(kg)
2,500 pcs	13 inch	2,500 pcs	336×336×48	20,000 pcs	445×355×365	