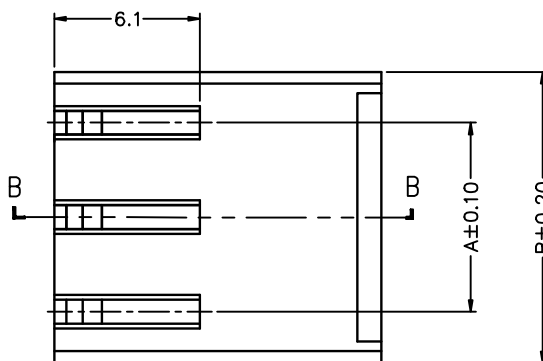
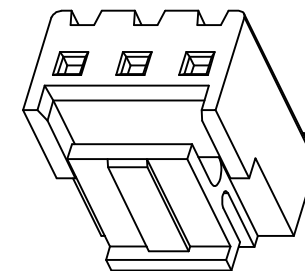
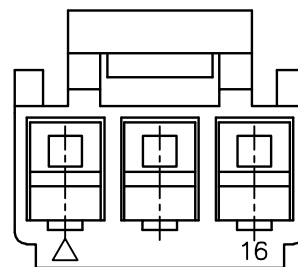
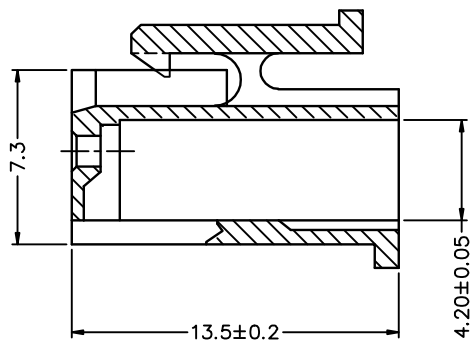
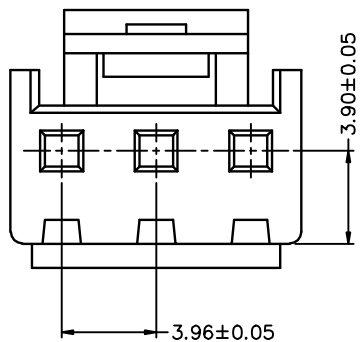


环保物料

TEL:0769-82001899



技术参数:

- 额定电流(Current rating) : 7.0A AC/DC
- 额定电压(Voltage rating) : 250V AC/DC
- 工作温度(Working temperature) : -25 ° C to +85 ° C
- 接触电阻(Contact resistance) : 10M Max.
- 绝缘电阻(Insulation resistance) : 1000M Min
- 耐压值(Withstand voltage) : 1500V AC/minute
- 适用线规(Applicable wire) : AWG#18-22
- 基座(Housing) : Nylon 66 UL94V-0

Poles	A	B ⁻
2Y	3.96	8.40
3Y	7.92	12.36
4Y	11.88	16.32
5Y	15.84	20.28
6Y	19.80	24.24
7Y	23.76	28.20
8Y	27.72	32.16
9Y	31.68	36.12
10Y	35.64	40.08

				TOLERANCE UNLESS OTHERWISE		DRAWN	CK tan	XFCN兴飞连接器有限公司 CONNECTORS XFCN CONNECTORS CO., LTD.		SHEET	1/1
				X.	±0.30	X°	±5°			CHKD	DATE
				.X	±0.20	.X°	±2°	APPD	PRODUCT NAME	3.96mm Crimp Style Connectors	
				.XX	±0.08	.XX°	±1°	VIEW	PART. NO.	SCALE	1:1
				.XXX	±0.03	.XXX°	±0.5°			P3960-XX	DWG NO.
AO	MODIFICATION		DRAW	DATE							