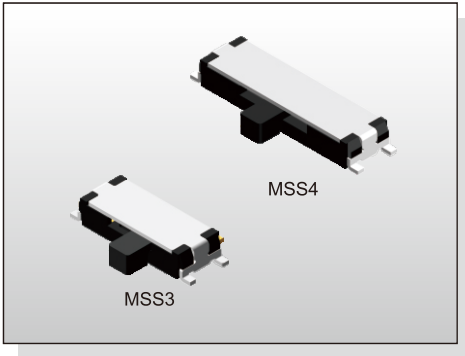


SLIDE SWITCH MSS(3)(4) SERIES

Miniature & SMT Type
(1P2T, 1P3T)



FEATURES

- ✘ 1.4mm height
- ✘ 1P2T, 1P3T models
- ✘ Stroke 1.5mm

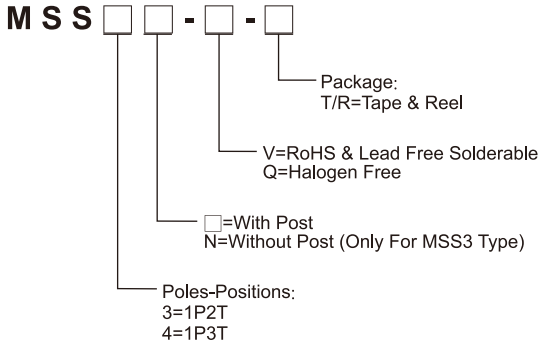
APPLICATION

- ✘ Remote control
- ✘ Consumer electronics
- ✘ Instrumentations

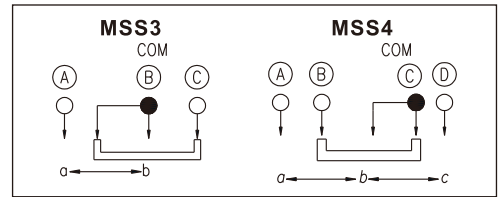
SPECIFICATION

| | | |
|-----------------------------|-----------------------------|------|
| Contact Rating | 25mA , 24V DC | |
| Contact Resistance | 70mΩ max | |
| Insulation Resistance | 100MΩ min. 100V DC | |
| Dielectric Strength | 100V AC/1 minute | |
| Operating Force | 150±100gf (1.47N±0.98N) | MSS3 |
| | A→B 150±100gf (1.47N±0.98N) | MSS4 |
| | C→B 150±100gf (1.47N±0.98N) | |
| | B→C 200±150gf (1.96N±1.47N) | |
| B→A 200±150gf (1.96N±1.47N) | | |
| Travel | 1.5mm | |
| Operating Life | 10, 000 cycles | |
| Operating Temp. | -20°C ~ +70°C | |
| Storage Temp. | -40°C ~ +85°C | |

HOW TO ORDER



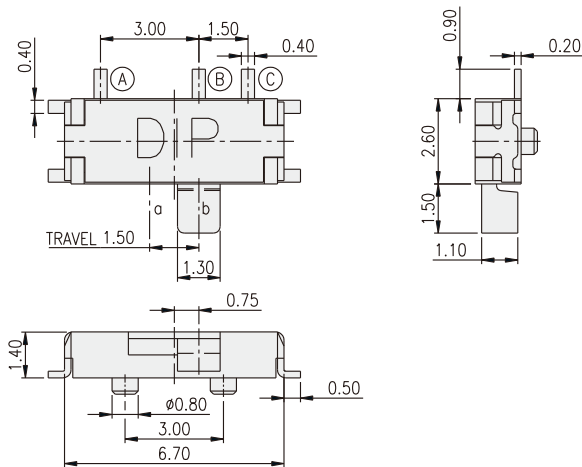
CIRCUIT



PACKAGE

<Tape & Reel>
2500 pcs

MSS3



MSS4

