

## 7+3 Channels PMIC

### Features

- 3.0V ~ 5.5V Input Voltage Operation
- 95% Efficient DC/DC Converter
- Built-in 7-ch synchronous buck converter, 3-ch LDOs
- Bucks and LDOs can be set to lower IQ at low load
- Buck2, Buck3, Buck5 and Buck6 Supports DVS Function
- Built-In Power ON/OFF Sequence for PMU
- Built-In Short Circuit Protection (SCP), Under Voltage Protection (UVP), and cycle-by cycle current limit for DC/DC Converters
- LDOs are Programmable to Voltage Options by I<sup>2</sup>C
- Built-In Thermal Shutdown Function
- Built-In VCC OVP Function
- TQFN5X5-40 Package

### General Description

The G2249 provide a complete power supply solution for handsets or data card. It contains 7 dc/dc converters and 3 LDOs to power each critical blocks of mobile phone, and is optimized for maximum battery life, featuring a low ground current when in standby mode operation. All channels DC/DC converters operate at one fixed frequency of 3.0MHz or 1.5MHz to optimize size, cost, and efficiency. All Synchronous converters operate at pulse skipping mode at light load. The G2249 features a I<sup>2</sup>C compatible interface.

The G2249 is available in TQFN5X5-40 package.

### Applications

- Mobile Handsets
- TV Dongle
- Smart Phone
- Set Top Box

### Ordering Information

ORDER NUMBER	MARKING	TEMP. RANGE	PACKAGE (Green)
G2249RG1U	2249	-40°C~+85°C	TQFN5X5-40

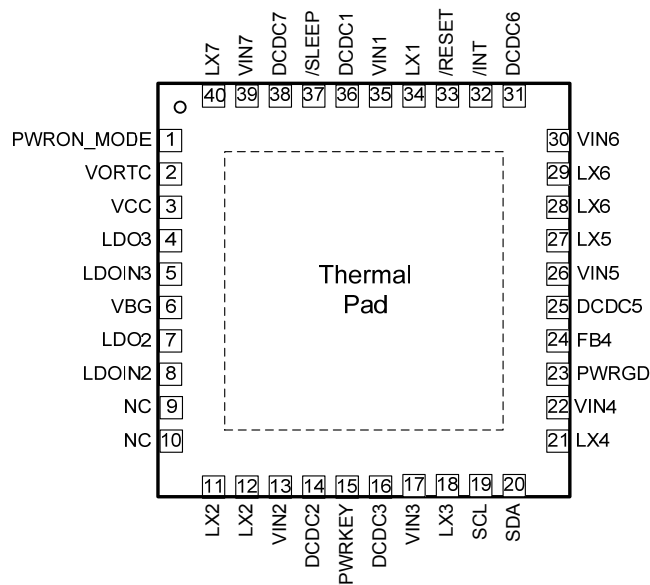
Note: RG:TQFN5X5-40

1: Bonding code

U: Tape & Reel

Green : Lead Free / Halogen Free

### Pin Configuration



**G2249 TQFN5X5-40**

Note: Recommend connecting the Thermal Pad to the Ground for excellent power dissipation.

## Absolute Maximum Ratings

VCC, VIN1, VIN2, VIN3, VIN4, VIN5, VIN6, VIN7, LDOIN2, LDOIN3	-0.3V to +6.3V
DCDC1, DCDC2, DCDC3, FB4, DCDC5, DCDC6, DCDC7, VORTC, LDO2, LDO3	-0.3V to +6.3V
LX1, LX2, LX3, LX4, LX5, LX6, LX7	-0.3V to +6.3V
Other Pins	-0.3V to +6.3V
Thermal Resistance Junction to Ambient, ( $\theta_{JA}$ )	TBD
TQFN5X5-40	TBD

Continuous Power Dissipation ( $T_A=25^\circ\text{C}$ )	TBD
TQFN5X5-40	TBD
Thermal Resistance Junction to Case, ( $\theta_{JC}$ )	TBD
TQFN5X5-40	TBD
Operating Ambient Temperature	$-35^\circ\text{C}$ to $85^\circ\text{C}$
Storage Temperature Range	$-55^\circ\text{C}$ to $+150^\circ\text{C}$
Reflow Temperature (soldering, 10 sec)	$260^\circ\text{C}$
ESD(HBM)	.2KV
ESD(MM)	.200V

- Stresses beyond those listed under "Absolute Maximum Ratings" may cause permanent damage to the device. These are stress ratings only, and functional operation of the device at these or any other conditions beyond those indicated in the operational sections of the specifications is not implied. Exposure to absolute maximum rating conditions for extended periods may affect device reliability.
- Device are ESD sensitive. Handling precaution recommended. The Human Body model is a 100pF capacitor discharged through a 1.5K $\Omega$  resistor into each pin.

## Electrical characteristics

(VCC=VINx=LDOINx=5V,  $T_A=25^\circ\text{C}$ , unless otherwise specified)

PARAMETER	SYMBOL	CONDITIONS	MIN	TYP	MAX	UNIT
<b>GENERAL</b>						
VCC Operating Voltage for PMU	$V_{VCC\_PMU}$		2.8	---	5.5	V
VIN Operating Voltage for DCDCx	$V_{VINx}$		2.8	---	5.5	V
VCC Over Voltage threshold	$V_{VCC\_OVLO}$	VCC rising	5.75	6.0	6.25	V
VCC Under Voltage threshold	$V_{VCC\_UVLO}$	VCC rising	---	3.15	---	V
VCC Under Voltage Hysteresis	$V_{VCC\_UVLOHYS}$		---	200	---	mV
PMU Stand-by Supply Current	$I_{VCC}$	ALL converters enter ECO mode, and without loading current.	---	---	200	$\mu\text{A}$
<b>OSCILLATOR</b>						
Frequency	$F_{OSC}$	DCDC1, DCDC3~7	2.4	3.0	3.6	MHz
		DCDC2	1.2	1.5	1.8	MHz
<b>DCDC1 Buck Converter</b>						
Soft-Start Internal	SS_CH1		---	2	---	mS
VO1 regulation voltage accuracy	%VO1		-1.5	---	1.5	%
Load Regulation	$\Delta V_{O1\_LOAD}$	FPWM	---	0.5	---	%
Maximum Duty Cycle	$D_{max1}$		---	100	---	%
VIN1 Leakage Current	$I_{VIN1\_LK}$	$V_{LX1}=0\text{V}$ , $V_{IN1}=5.0\text{V}$	---	1	5	$\mu\text{A}$
LX1 Leakage Current	$I_{LX1\_LK}$	$V_{LX1}=5.0\text{V}$	---	1	5	$\mu\text{A}$
Switch ON Resistance	Ron1-P		---	150	---	m $\Omega$
	Ron1-N		---	120	---	
Peak Current Limit	$I_{LIM\_CH1}$		2.5	2.8	---	A
Under Voltage Protection Threshold	% $V_{UVP\_CH1}$	Ratio= $V_{UVP}/V_{OUT}$	---	75	---	%
<b>DCDC2 Buck Converter</b>						
Soft-Start Internal	SS_CH2		---	2	---	mS
VO2 regulation voltage accuracy	%VO2		-1.5	---	1.5	%
Load Regulation	$\Delta V_{O2\_LOAD}$	FPWM	---	0.5	---	%
Maximum Duty Cycle	$D_{max2}$		---	100	---	%
VIN2 Leakage Current	$I_{VIN2\_LK}$	$V_{LX2}=0\text{V}$ , $V_{IN2}=5.0\text{V}$	---	1	5	$\mu\text{A}$
LX2 Leakage Current	$I_{LX2\_LK}$	$V_{LX2}=5.0\text{V}$	---	1	5	$\mu\text{A}$
Switch ON Resistance	Ron2-P		---	80	---	m $\Omega$
	Ron2-N		---	35	---	
Peak Current Limit	$I_{LIM\_CH2}$		3.6	4.0	---	A
Under Voltage Protection Threshold	$\Delta V_{UVP\_CH2}$	$\Delta V_{UVP\_CH2}=V_{OUT\_SET}-V_{OUT\_UVP}$	---	100	---	mV

**Electrical characteristics (continued)**

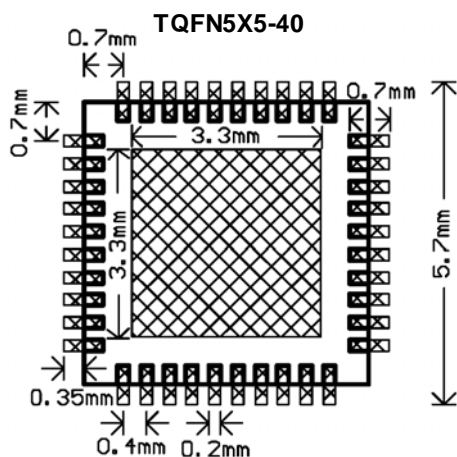
PARAMETER	SYMBOL	CONDITIONS	MIN	TYP	MAX	UNIT
<b>DCDC3 Buck Converter</b>						
Soft-Start Internal	SS_CH3		---	2	---	mS
VO3 regulation voltage accuracy	%VO3		-1.5	---	1.5	%
Load Regulation	$\Delta V_{O3,LOAD}$	FPWM	---	0.5	---	%
Maximum Duty Cycle	$D_{max3}$		---	100	---	%
VIN3 Leakage Current	$I_{VIN3\_LK}$	$V_{LX3}=0V, VIN3=5.0V$	---	1	5	$\mu A$
LX3 Leakage Current	$I_{LX3\_LK}$	$V_{LX3}=5.0V$	---	1	5	$\mu A$
Switch ON Resistance	Ron3-P		---	150	---	m $\Omega$
	Ron3-N		---	90	---	
Peak Current Limit	$I_{LIM\_CH3}$		2.5	2.8	---	A
Under Voltage Protection Threshold	$\Delta V_{UVP\_CH3}$	$\Delta V_{UVP\_CH3}=V_{OUT\_SET}-V_{OUT\_UVP}$	---	100	---	mV
<b>DCDC4 Buck Converter</b>						
Soft-Start Internal	SS_CH4		---	2	---	mS
FB4 pin regulation voltage	$V_{FB4}$		0.788	0.80	0.812	V
Load Regulation	$\Delta V_{FB4,LOAD}$	FPWM	---	0.5	---	%
Maximum Duty Cycle	$D_{max4}$		---	100	---	%
VIN4 Leakage Current	$I_{VIN4\_LK}$	$V_{LX4}=0V, VIN4=5.0V$	---	1	5	$\mu A$
LX4 Leakage Current	$I_{LX4\_LK}$	$V_{LX4}=5.0V$	---	1	5	$\mu A$
Switch ON Resistance	Ron4-P		---	150	---	m $\Omega$
	Ron4-N		---	120	---	
Peak Current Limit	$I_{LIM\_CH4}$		2.5	2.8	---	A
Under Voltage Protection Threshold	% $V_{UVP\_CH4}$	Ratio= $V_{UVP}/V_{OUT}$	---	87.5	---	%
<b>DCDC5 Buck Converter</b>						
Soft-Start Internal	SS_CH5		---	2	---	mS
VO5 regulation voltage accuracy	%VO5		-1.5	---	1.5	%
Load Regulation	$\Delta V_{O5,LOAD}$	FPWM	---	0.5	---	%
Maximum Duty Cycle	$D_{max5}$		---	100	---	%
VIN5 Leakage Current	$I_{VIN5\_LK}$	$V_{LX5}=0V, VIN5=5.0V$	---	1	5	$\mu A$
LX5 Leakage Current	$I_{LX5\_LK}$	$V_{LX5}=5.0V$	---	1	5	$\mu A$
Switch ON Resistance	Ron5-P		---	150	---	m $\Omega$
	Ron5-N		---	120	---	
Peak Current Limit	$I_{LIM\_CH5}$		2.5	2.8	---	A
Under Voltage Protection Threshold	$\Delta V_{UVP\_CH5}$	$\Delta V_{UVP\_CH5}=V_{OUT\_SET}-V_{OUT\_UVP}$	---	100	---	mV
<b>DCDC6 Buck Converter</b>						
Soft-Start Internal	SS_CH6		---	2	---	mS
VO6 regulation voltage accuracy	%VO6		-1.5	---	1.5	%
Load Regulation	$\Delta V_{O6,LOAD}$	FPWM	---	0.5	---	%
Maximum Duty Cycle	$D_{max6}$		---	100	---	%
VIN6 Leakage Current	$I_{VIN6\_LK}$	$V_{LX6}=0V, VIN6=5.0V$	---	1	5	$\mu A$
LX6 Leakage Current	$I_{LX6\_LK}$	$V_{LX6}=5.0V$	---	1	5	$\mu A$
Switch ON Resistance	Ron6-P		---	150	---	m $\Omega$
	Ron6-N		---	60	---	
Peak Current Limit	$I_{LIM\_CH6}$		2.5	2.8	---	A
Under Voltage Protection Threshold	$\Delta V_{UVP\_CH6}$	$\Delta V_{UVP\_CH6}=V_{OUT\_SET}-V_{OUT\_UVP}$	---	100	---	mV
<b>DCDC7 Buck Converter</b>						
Soft-Start Internal	SS_CH7		---	2	---	mS
VO7 regulation voltage accuracy	%VO7		-1.5	---	1.5	%
Load Regulation	$\Delta V_{O7,LOAD}$	FPWM	---	0.5	---	%
Maximum Duty Cycle	$D_{max7}$		---	100	---	%
VIN7 Leakage Current	$I_{VIN7\_LK}$	$V_{LX7}=0V, VIN7=5.0V$	---	1	5	$\mu A$

**Electrical characteristics (continued)**

PARAMETER	SYMBOL	CONDITIONS	MIN	TYP	MAX	UNIT
LX7 Leakage Current	$I_{LX7\_LK}$	$V_{LX7}=5.0V$	---	1	5	$\mu A$
Switch ON Resistance	Ron7-P		---	150	---	m $\Omega$
	Ron7-N		---	120	---	
Peak Current Limit	$I_{LIM\_CH1}$		2.5	2.8	---	A
Under Voltage Protection Threshold	$\%V_{UVP\_CH1}$	Ratio= $V_{UVP}/V_{OUT}$	---	87.5	---	%
<b>RTCLDO</b>						
Input voltage range	$V_{VINRTC}$	VCC	3.0	---	5.5	V
Standby current	$I_{Q\_RTC}$	$V_{VCC}=3.7V$	---	5	8	$\mu A$
Output voltage	$V_{RTCO}$	$I_o=0.1mA$ , VORTC=4'b0000	---	1.8	---	V
Dropout Voltage	$V_{DO1\_RTC}$	$I_o=50mA$ , VORTC=4'b0000	---	---	800	mV
	$V_{DO2\_RTC}$	$I_o=10mA$ , VORTC=4'b0000	---	---	150	mV
Maximum Output Current		$V_{VCC}=4.2V$ , RTCCOUT=95%* $V_{SET}$	60	---	200	mA
<b>LDO2</b>						
Input voltage range	$V_{LDOIN2}$	LDOIN2	2.8	---	5.5	V
Soft-Start Internal	$SS_{LDO2}$		---	2	---	mS
Output Voltage accuracy	$\%V_{LDO2}$	$I_o=100mA$	-1.5	---	1.5	%
Continuous output current at ECO mode	$I_{O2\_ECO}$		---	---	5	mA
LDO Input Current	$I_{LDOIN2}$	$I_o=0mA$ , Normal mode	---	---	32	$\mu A$
	$I_{LDOIN2\_ECO}$	$I_o=0mA$ , ECO mode	---	---	8	$\mu A$
Dropout Voltage	$V_{DOLDO2}$	$I_o=300mA$ , Normal mode	---	200	400	mV
	$V_{DOLLDO2}$	$I_o=50mA$ , Normal mode	---	35	70	mV
Output current limit	$I_{LIMLDO2}$	LDOIN2>LDO2+1.0V, Normal mode	550	600	---	mA
LDO Load Regulation	$\%LD_2$	LDOIN2>LDO2+1.0V, Normal mode $I_o=1mA\sim 200mA$	---	---	1	%
Short Circuit Protection threshold	$\%V_{SCPLDO2}$	Ratio= $V_{SCP}/V_{OUT}$	---	12.5	---	%
Ripple Rejection	$PSRR_2$	f=10Hz~3kHz, $I_o=100mA$ , Normal mode	---	65	---	dB
Output Noise Voltage		f=10Hz~100kHz, Normal mode	---	45	---	$\mu V_{rms}$
ECO exit time	$t_{d2\_ECO}$	Minimum wait time to draw full current after leaving ECO mode	---	---	50	$\mu S$
<b>LDO3</b>						
Input voltage range	$V_{LDOIN3}$	LDOIN3	2.8	---	5.5	V
Soft-Start Internal	$SS_{LDO3}$		---	2	---	mS
Output Voltage accuracy	$\%V_{LDO3}$	$I_o=100mA$	-1.5	---	1.5	%
Continuous output current at ECO mode	$I_{O3\_ECO}$		---	---	5	mA
LDO Input Current	$I_{LDOIN3}$	$I_o=0mA$ , Normal mode	---	---	32	$\mu A$
	$I_{LDOIN3\_ECO}$	$I_o=0mA$ , ECO mode	---	---	8	$\mu A$
Dropout Voltage	$V_{DOLDO3}$	$I_o=300mA$ , VCC=3.7V, Normal mode	---	200	400	mV
	$V_{DOLLDO3}$	$I_o=50mA$ , VCC=3.7V, Normal mode	---	35	70	mV
Output current limit	$I_{LIMLDO3}$	LDOIN3>LDO3+1.0V, Normal mode	550	600	---	mA
LDO Load Regulation	$\%LD_3$	LDOIN3>LDO3+1.0V, Normal mode $I_o=1mA\sim 200mA$	---	---	1	%
Short Circuit Protection threshold	$\%V_{SCPLDO3}$	Ratio= $V_{SCP}/V_{OUT}$	---	12.5	---	%
Ripple Rejection	$PSRR_3$	f=10Hz~3kHz, $I_o=100mA$ , Normal mode	---	70	---	dB
Output Noise Voltage		f=10Hz~100kHz, Normal mode	---	45	---	$\mu V_{rms}$
ECO exit time	$t_{d3\_ECO}$	Minimum wait time to draw full current after leaving ECO mode	---	---	50	$\mu S$

**Electrical characteristics (continued)**

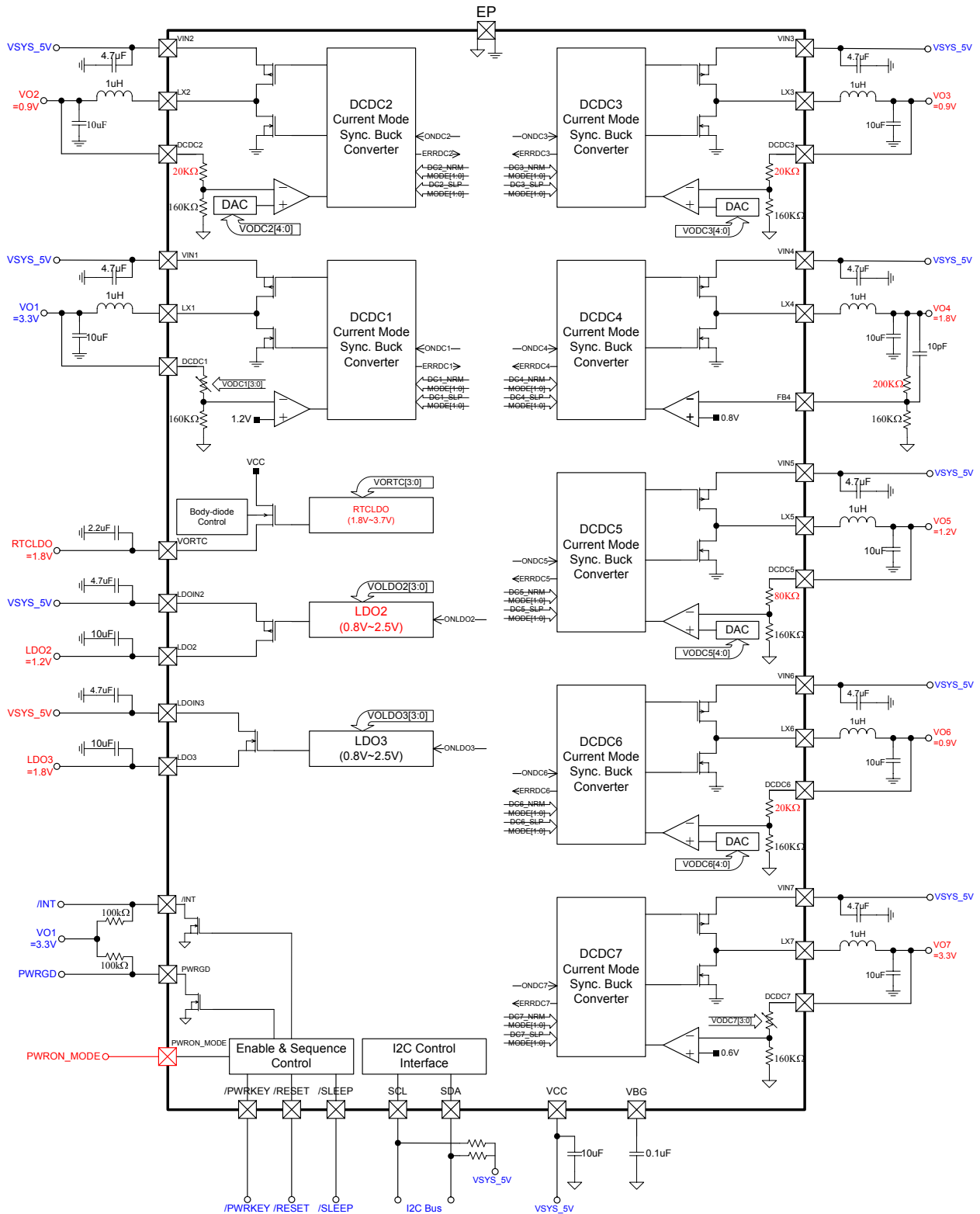
PARAMETER	SYMBOL	CONDITIONS	MIN	TYP	MAX	UNIT
<b>Protection</b>						
UVP Protection Fault Delay	$t_{D\_Fault}$	DCDC1~DCDC7	128	---	---	mS
Thermal Shutdown Detect	$T_{SD}$		---	150	---	°C
Thermal Shutdown Hysteresis	$\Delta T_{SD}$		---	20	---	°C
<b>Control Signal</b>						
Logic-Input Threshold (PWRON_MODE, /PWRKEY, /SLEEP and /RESET)	$V_{TH}$	High threshold	1.4	---	---	V
	$V_{TL}$	Low threshold	---	---	0.5	V
Pull High Resistance (PWRON_MODE, /PWRKEY, /SLEEP and /RESET)	$R_{PH}$		---	100	---	K $\Omega$
Open-Drain Output Low Voltage (PWRGD,/INT,)	$V_{ODLOW}$	$I_{SINK}=5mA, V_{VCC}=3.7V$	---	---	100	mV
Open-Drain Output Leakage Current (PWRGD,/INT)	$I_{LK\_OD}$	$V_{OD}=5V$	---	---	1	$\mu A$
PWRGD Delay Time	$t_{RDLY\_PWRGD}$		---	8	---	mS
Re-start up Delay Time	$t_{DLY\_REBOOST}$		---	1	---	Sec
<b>SMBus Interface</b>						
Logic Input High Voltage	$V_{IH}$	SCL, SDA	1.4	---	---	V
Logic Input Low Voltage	$V_{IL}$	SCL, SDA	---	---	0.5	V
Logic Input Current		Logic inputs forced to VCC or GND	-2	---	2	$\mu A$
SMBus Input Capacitance		SCL, SDA	---	5	---	pF
SMBus Clock Frequency	$f_{SCL}$	Fast mode	---	---	400	kHz
		High-speed mode, load 400pF max	---	---	1.7	MHz
		High-speed mode, load 100pF max	---	---	3.4	MHz
SCL Clock Low Time	$t_{LOW}$	Fast mode	1.3	---	---	$\mu S$
SCL Clock High Time	$t_{HIGH}$	Fast mode	0.6	---	---	$\mu S$
SDA Setup Time	$t_{SU:DAT}$	Fast mode	100	---	---	nS
SDA Hold Time	$t_{HD:DAT}$	Fast mode	0	---	0.9	$\mu S$
Bus-Free Time from START and STOP	$t_{BUF}$	Fast mode	1.3	---	---	$\mu S$
Hold Time Repeated START Condition	$t_{HD:STA}$	Fast mode	0.6	---	---	$\mu S$
Setup Time Repeated START Condition	$t_{SU:STA}$	Fast mode	0.6	---	---	$\mu S$
Setup Time for STOP Condition	$t_{SU:STO}$	Fast mode	0.6	---	---	$\mu S$
Rise Time of SCL/SDA signals	$t_r$	10% to 90% points	20	---	300	nS
Fall Time of SCL/SDA signals	$t_f$	90% to 10% points	20	---	300	nS

**Minimum Footprint PCB Layout Section**


**Pin Description**

Pin No	Pin Name	Function
1	PWRON_MODE	Power ON/OFF Mode Select Pin. MODE=0: Mode1, MODE=Floating: Mode2.
2	VORTC	LDO Output of RTC LDO. Bypass this pin to ground with a 2.2uF ceramic capacitor.
3	VCC	IC Power Supply Input pin. Bypass with a 10uF or greater ceramic capacitor.
4	LDO3	LDO Output of LDO3.
5	LDOIN3	Power Input of LDO3.
6	VBG	1.23v Reference Voltage Output. Bypass this pin to ground with a 0.1uF ceramic capacitor.
7	LDO2	LDO Output of LDO2.
8	LDOIN2	Power Input of LDO2.
9,10	NC	No Connection
11,12	LX2	Inductor switch node of DCDC2 Buck Converter.
13	VIN2	Power Input of DCDC2 Buck Converter.
14	DCDC2	Sensing Input of DCDC2 Buck Converter's output voltage.
15	/PWRKEY	Power on/off key. Internal pull high to VCC.
16	DCDC3	Sensing Input of DCDC3 Buck Converter's output voltage.
17	VIN3	Power Input of DCDC3 Buck Converter.
18	LX3	Inductor switch node of DCDC3 Buck Converter.
19	SCL	Clock Input PIN of I <sup>2</sup> C interface.
20	SDA	Data Input PIN of I <sup>2</sup> C interface.
21	LX4	Inductor switch node of DCDC4 Buck Converter.
22	VIN4	Power Input of DCDC4 Buck Converter.
23	PWRGD	Indicator of PMU power on/off with open drain output.
24	FB4	Feedback Input of DCDC4 Buck Converter.
25	DCDC5	Sensing Input of DCDC5 Buck Converter's output voltage.
26	VIN5	Power Input of DCDC5 Buck Converter.
27	LX5	Inductor switch node of DCDC5 Buck Converter.
28,29	LX6	Inductor switch node of DCDC6 Buck Converter.
30	VIN6	Power Input of DCDC6 Buck Converter.
31	DCDC6	Sensing Input of DCDC6 Buck Converter's output voltage.
32	/INT	Interrupt Indicator with open drain output.
33	/RESET	RESET PIN of G2249. Internal pull high to VCC.
34	LX1	Inductor switch node of DCDC1 Buck Converter.
35	VIN1	Power Input of DCDC1 Buck Converter.
36	DCDC1	Sensing Input of DCDC1 Buck Converter's output voltage.
37	/SLEEP	SLEEP mode control pin. Internal pull high to VCC.
38	DCDC7	Sensing Input of DCDC7 Buck Converter's output voltage.
39	VIN7	Power Input of DCDC7 Buck Converter.
40	LX7	Inductor switch node of DCDC7 Buck Converter.
EP	VSSA, VSSD, PGNDX	All converters' power ground and chip analog ground. For good thermal dissipation, connect EP to the power and analog ground plane.

## Block Diagram & Application Circuit

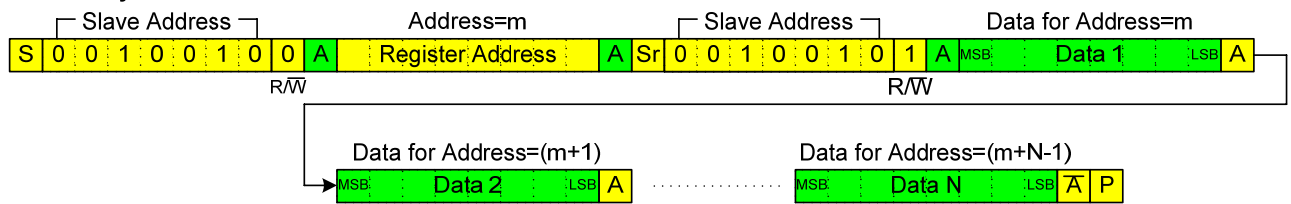


## I2C Interface

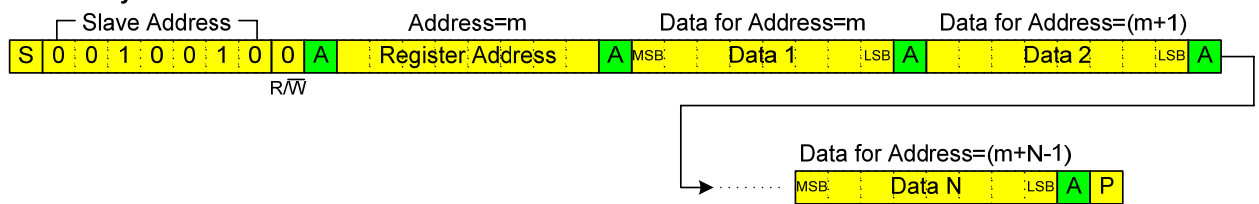
G2249 I2C slave address=7'b0010010. The write or read bit stream (N≥1) is shown below:

- Driven by Master
- S Start
- Driven by G2249
- P Stop
- Sr Repeat Start

### Read N bytes from G2249



### Write N bytes to G2249





## I2C Register Map

ADDR	Byte Name		Data							
			b7	b6	b5	b4	b3	b2	b1	b0
0x00	INTR	Meaning	INT		PWRKEY	PWRKEY_LP	PWRKEY_IT			
		Default	0		0	0	0			
		Read/Write	R/W		R	R	R			
0x01	INTR_MASK	Meaning			MASK_PWRKEY	MASK_LP	MASK_IT			
		Default			0	0	0			
		Read/Write			R/W	R/W	R/W			
0x02	PWRKEY_CONTROL	Meaning	LPOFF_TO_DO	ENLPOFF	TIME_IT[1:0]		TIME_LP[1:0]		TIME_LPOFF[1:0]	
		Default	1	1	0	0	1	1	1	1
		Read/Write	R/W	R/W	R/W	R/W	R/W	R/W	R/W	R/W
0x03	DCDC Fault Status	Meaning	ERRDC1	ERRDC2	ERRDC3	ERRDC4	ERRDC5	ERRDC6	ERRDC7	
		Default	0	0	0	0	0	0	0	0
		Read/Write	R	R	R	R	R	R		
0x04	LDO Fault Status	Meaning							ERRLDO2	ERRLDO3
		Default							0	0
		Read/Write							R	R
0x05	SYS_Control	Meaning	SOFTOFF		RST_ERR	FSEL	VORTC[3:0]			
		Default	0		0	0	0	0	0	0
		Read/Write	R/W		R/W	R/W	R/W	R/W	R/W	R/W
0x06	DCDC_ONOFF_CONTROL	Meaning	ONDC1	ONDC2	ONDC3	ONDC4	ONDC5	ONDC6	ONDC7	
		Default	1	1	1	1	1	1	0	
		Read/Write	R/W	R/W	R/W	R/W	R/W	R/W	R/W	
0x07	LDO_ONOFF_CONTROL	Meaning							ONLDO2	ONLDO3
		Default							1	1
		Read/Write							R/W	R/W
0x08	DCDC_DISCHG_CONTROL	Meaning	ENDIS_DC1	ENDIS_DC2	ENDIS_DC3	ENDIS_DC4	ENDIS_DC5	ENDIS_DC6	ENDIS_DC7	
		Default	1	1	1	1	1	1	1	
		Read/Write	R/W	R/W	R/W	R/W	R/W	R/W	R/W	
0x09	LDO_DISCHG_CONTROL	Meaning							ENDIS_L2	ENDIS_L3
		Default							1	1
		Read/Write							R/W	R/W
0x0A	DC1DC2_MODE_CONTROL	Meaning	DC1_NRMMODE[1:0]		DC1_SLPMODE[1:0]		DC2_NRMMODE[1:0]		DC2_SLPMODE[1:0]	
		Default	0	0	1	0	0	0	1	0
		Read/Write	R/W	R/W	R/W	R/W	R/W	R/W	R/W	R/W
0x0B	DC3DC4_MODE_CONTROL	Meaning	DC3_NRMMODE[1:0]		DC3_SLPMODE[1:0]		DC4_NRMMODE[1:0]		DC4_SLPMODE[1:0]	
		Default	0	0	1	0	0	0	1	0
		Read/Write	R/W	R/W	R/W	R/W	R/W	R/W	R/W	R/W
0x0C	DC5DC6_MODE_CONTROL	Meaning	DC5_NRMMODE[1:0]		DC5_SLPMODE[1:0]		DC6_NRMMODE[1:0]		DC6_SLPMODE[1:0]	
		Default	0	0	1	0	0	0	1	0
		Read/Write	R/W	R/W	R/W	R/W	R/W	R/W	R/W	R/W
0x0D	DC7_MODE_CONTROL	Meaning	DC7_NRMMODE[1:0]		DC7_SLPMODE[1:0]					
		Default	0	0	1	0				
		Read/Write	R/W	R/W	R/W	R/W				
0x0E	LDO2LDO3_MODE_CONTROL	Meaning	LDO2_NRMMODE[1:0]		LDO2_SLPMODE[1:0]		LDO3_NRMMODE[1:0]		LDO3_SLPMODE[1:0]	
		Default	0	0	1	0	0	0	1	0
		Read/Write	R/W	R/W	R/W	R/W	R/W	R/W	R/W	R/W
0x0F	DCDC1_NRMVOLT	Meaning					VODC1_NRM[3:0]			
		Default					1	0	1	1
		Read/Write					R/W	R/W	R/W	R/W
0x10	DCDC2_NRMVOLT	Meaning					VODC2_NRM[4:0]			
		Default					1	0	0	0
		Read/Write					R/W	R/W	R/W	R/W
0x11	DCDC3_NRMVOLT	Meaning					VODC3_NRM[4:0]			
		Default					1	0	0	0
		Read/Write					R/W	R/W	R/W	R/W
0x12	DCDC5_NRMVOLT	Meaning					VODC5_NRM[4:0]			
		Default					1	0	0	0
		Read/Write					R/W	R/W	R/W	R/W
0x13	DCDC6_NRMVOLT	Meaning					VODC6_NRM[4:0]			
		Default					1	0	0	0
		Read/Write					R/W	R/W	R/W	R/W
0x14	DCDC7_NRMVOLT	Meaning					VODC7_NRM[3:0]			
		Default					1	1	1	1
		Read/Write					R/W	R/W	R/W	R/W
0x15	LDO_NRMVOLT	Meaning	VOLDO2_NRM[3:0]			VOLDO3_NRM[3:0]				
		Default	0	1	1	1	1	1	0	0
		Read/Write	R/W	R/W	R/W	R/W	R/W	R/W	R/W	R/W

## I2C Register Map (continued)

ADDR	Byte Name		Data							
			b7	b6	b5	b4	b3	b2	b1	b0
0x16	DCDC1_SLPVOLT	Meaning	VODC1_SLP[3:0]							
		Default				1	0	1	1	
		Read/Write				R/W	R/W	R/W	R/W	
0x17	DCDC2_SLPVOLT	Meaning	VODC2_SLP[4:0]							
		Default			1	0	0	0	0	
		Read/Write			R/W	R/W	R/W	R/W	R/W	
0x18	DCDC3_SLPVOLT	Meaning	VODC3_SLP[4:0]							
		Default			1	0	0	0	0	
		Read/Write			R/W	R/W	R/W	R/W	R/W	
0x19	DCDC5_SLPVOLT	Meaning	VODC5_SLP[4:0]							
		Default			1	0	0	0	0	
		Read/Write			R/W	R/W	R/W	R/W	R/W	
0x1A	DCDC6_SLPVOLT	Meaning	VODC6_SLP[4:0]							
		Default			1	0	0	0	0	
		Read/Write			R/W	R/W	R/W	R/W	R/W	
0x1B	DCDC7_SLPVOLT	Meaning	VODC7_SLP[3:0]							
		Default				1	1	1	1	
		Read/Write				R/W	R/W	R/W	R/W	
0x1C	LDO_SLPVOLT	Meaning	VOLDO2_SLP[3:0]			VOLDO3_SLP[3:0]				
		Default	0	1	1	1	1	0	0	
		Read/Write	R/W	R/W	R/W	R/W	R/W	R/W	R/W	
0x1D	CHIP_ID	Meaning	CHIP_ID[5:0]							
		Default			1	1	0	0	0	1
		Read/Write			R	R	R	R	R	R
0x1E	VERSION	Meaning	VERSION[3:0]							
		Default					0	0	0	0
		Read/Write					R	R	R	R
0xF1	GMT Testing	Meaning	TM[5:1]							
		Default				0	0	0	0	0
		Read/Write				R/W	R/W	R/W	R/W	R/W

## I2C Register Reset Conditions

ADDR.	Register Function	Rest Condition
0x00	Interrupt Registers	VCC<3.0V, or the power-off reset pulse. Also reset by reading them
0x02	Power-key IT/LP/LPOFF Registers	VCC<3.0V, or the power-on leading pulse
0x03,0x04,0x05[5]	DCDC&LDO Fault Status	VCC<3.0V or 0x05[5] is written to 1
0x05[7]	SOFTOFF	VCC<3.0V, or the power-on leading pulse
0x08,0x09	DCDC and LDO enable discharge Registers	VCC<3.0V, or the power-on leading pulse
Other Registers		VCC<3.0V, or the power-off reset pulse.

## I2C Register Function Table

### Interrupt and Status

ADDR	Data Bit	Data Name	Function Description						
0x00	b7	INT	<p>INT is used to control the output status of /INT pin. When interrupt events happen, /INT pin goes low and this bit is set to 1'b1. After Micro-processor write the bit to be 1'b0, /INT pin goes to high-Z state.</p> <table border="1"> <thead> <tr> <th>INT</th> <th>/INT Pin Status</th> </tr> </thead> <tbody> <tr> <td>0</td> <td>Hi-Z</td> </tr> <tr> <td>1</td> <td>Low</td> </tr> </tbody> </table>	INT	/INT Pin Status	0	Hi-Z	1	Low
INT	/INT Pin Status								
0	Hi-Z								
1	Low								
0x00	b5	PWRKEY	PWRKEY is used to record the /PWRKEY pin status has changed since last read.						
0x00	b4	PWRKEY_LP	<p>PWRKEY_LP is used to record the /PWRKEY pin long press status. PWRKEY_LP is reset to 0 when this byte is read each time. This bit is also reset to 0 at each /PWRKEY pin falling edge or VCC plug-in/out.</p> <table border="1"> <thead> <tr> <th>PWRKEY_LP</th> <th><math>T &gt; T_{dPWRKEYLP}</math></th> </tr> </thead> <tbody> <tr> <td>0</td> <td>NO</td> </tr> <tr> <td>1</td> <td>YES</td> </tr> </tbody> </table>	PWRKEY_LP	$T > T_{dPWRKEYLP}$	0	NO	1	YES
PWRKEY_LP	$T > T_{dPWRKEYLP}$								
0	NO								
1	YES								
0x00	b3	PWRKEY_IT	<p>PWRKEY_IT is used to record the /PWRKEY pin falling status. PWRKEY_IT is reset to 0 when this byte is read each time. This bit is reset to 0 at each /PWRKEY pin falling edge or VCC plug-in/out.</p> <table border="1"> <thead> <tr> <th>PWRKEY_IT</th> <th><math>T &gt; T_{dbPWRKEYF}</math></th> </tr> </thead> <tbody> <tr> <td>0</td> <td>NO</td> </tr> <tr> <td>1</td> <td>YES</td> </tr> </tbody> </table>	PWRKEY_IT	$T > T_{dbPWRKEYF}$	0	NO	1	YES
PWRKEY_IT	$T > T_{dbPWRKEYF}$								
0	NO								
1	YES								
0x01	b5	MASK_PWRKEY	By writing 1'b1 to MASK_PWRKEY to disable asserting /INT low when the event of /PWRKEY pin is toggled low occurs.						
0x01	b4	MASK_LP	By writing 1'b1 to MASK_LP to disable asserting /INT low when the event of /PWRKEY pin is toggled low with duration longer than $T_{dPWRKEYLP}$ occurs.						
0x01	b3	MASK_IT	By writing 1'b1 to MASK_IT to disable asserting /INT low when the event of /PWRKEY pin is toggled low duration longer than $T_{dbPWRKEYF}$ occurs.						

### Software PMIC ON/OFF Control

ADDR	Data Bit	Data Name	Function Description
0x05	b7	SOFTOFF	Write 1 to SOFTOFF to perform power-off sequence when PMIC is in operation mode.

## Power-Key Function and Timing Control

ADDR	Data Bit	Data Name	Function Description										
0x02	b7	LPOFF_TO_DO	<p>Setting PMIC operating mode after it finishes power-off sequence caused by /PWRKEY pin long pressed with duration longer than <math>T_{dPWRKEYLPOFF}</math>. Default=1'b1</p> <table border="1"> <thead> <tr> <th>LPOFF_TO_DO</th> <th>PMIC operating mode</th> </tr> </thead> <tbody> <tr> <td>0</td> <td>Remain in shutdown mode</td> </tr> <tr> <td>1</td> <td><b>Re-startup by sequence</b></td> </tr> </tbody> </table>	LPOFF_TO_DO	PMIC operating mode	0	Remain in shutdown mode	1	<b>Re-startup by sequence</b>				
LPOFF_TO_DO	PMIC operating mode												
0	Remain in shutdown mode												
1	<b>Re-startup by sequence</b>												
0x02	b6	ENLPOFF	<p>Enable PMIC shutdown when /PWRKEY pin long pressed with duration longer than <math>T_{dPWRKEYLPOFF}</math> defined by register TIME_LPOFF[1:0]. Default=1'b1</p> <table border="1"> <thead> <tr> <th><math>T &gt; T_{dPWRKEYLPOFF}</math></th> <th>PMIC shutdown</th> </tr> </thead> <tbody> <tr> <td>0</td> <td>NO</td> </tr> <tr> <td>1</td> <td><b>YES</b></td> </tr> </tbody> </table>	$T > T_{dPWRKEYLPOFF}$	PMIC shutdown	0	NO	1	<b>YES</b>				
$T > T_{dPWRKEYLPOFF}$	PMIC shutdown												
0	NO												
1	<b>YES</b>												
0x02	b5,b4	TIME_IT [1:0]	<p>TIME_IT[1:0] is used to defined the /PWRKEY pin falling-edge de-bouncing delay time <math>T_{dbPWRKEYF}</math>. When /PWRKEY pin is toggled low with duration longer than <math>T_{dbPWRKEYF}</math>, PMIC enters power-on process and the register PWRKEY_IT is 1'b1. Default=2'b00</p> <table border="1"> <thead> <tr> <th>TIME_IT[1:0]</th> <th><math>T_{dbPWRKEYF}</math></th> </tr> </thead> <tbody> <tr> <td>00</td> <td><b>128mS</b></td> </tr> <tr> <td>01</td> <td>0.5S</td> </tr> <tr> <td>10</td> <td>1.0S</td> </tr> <tr> <td>11</td> <td>1.5S</td> </tr> </tbody> </table>	TIME_IT[1:0]	$T_{dbPWRKEYF}$	00	<b>128mS</b>	01	0.5S	10	1.0S	11	1.5S
TIME_IT[1:0]	$T_{dbPWRKEYF}$												
00	<b>128mS</b>												
01	0.5S												
10	1.0S												
11	1.5S												
0x02	b3,b2	TIME_LP [1:0]	<p>TIME_LP[1:0] is used to defined the /PWRKEY pin long-press delay time <math>T_{dPWRKEYLP}</math>. When /PWRKEY pin is toggled low with duration longer than <math>T_{dPWRKEYLP}</math>, the register PWRKEY_LP is 1'b1. Default=2'b00</p> <table border="1"> <thead> <tr> <th>TIME_LP[1:0]</th> <th><math>T_{dPWRKEYLP}</math></th> </tr> </thead> <tbody> <tr> <td>00</td> <td>0.5S</td> </tr> <tr> <td>01</td> <td>1.0S</td> </tr> <tr> <td>10</td> <td>1.5S</td> </tr> <tr> <td>11</td> <td><b>2.0S</b></td> </tr> </tbody> </table>	TIME_LP[1:0]	$T_{dPWRKEYLP}$	00	0.5S	01	1.0S	10	1.5S	11	<b>2.0S</b>
TIME_LP[1:0]	$T_{dPWRKEYLP}$												
00	0.5S												
01	1.0S												
10	1.5S												
11	<b>2.0S</b>												
0x02	b1,b0	TIME_LPOFF [1:0]	<p>TIME_LPOFF[1:0] is used to defined the /PWRKEY pin long-press delay time <math>T_{dPWRKEYLPOFF}</math>. When /PWRKEY pin is toggled low with duration longer than <math>T_{dPWRKEYLPOFF}</math>, PMIC enters power-off process. The function of /PWRKEY pin long-press delay to turn off PMIC can be inactive by writing 0 to the register ENLPOFF. Default=2'b00</p> <table border="1"> <thead> <tr> <th>TIME_LPOFF[1:0]</th> <th><math>T_{dPWRKEYLPOFF}</math></th> </tr> </thead> <tbody> <tr> <td>00</td> <td>1.0S</td> </tr> <tr> <td>01</td> <td>2.0S</td> </tr> <tr> <td>10</td> <td>3.0S</td> </tr> <tr> <td>11</td> <td><b>4.0S</b></td> </tr> </tbody> </table>	TIME_LPOFF[1:0]	$T_{dPWRKEYLPOFF}$	00	1.0S	01	2.0S	10	3.0S	11	<b>4.0S</b>
TIME_LPOFF[1:0]	$T_{dPWRKEYLPOFF}$												
00	1.0S												
01	2.0S												
10	3.0S												
11	<b>4.0S</b>												

## Fault Status of DCDC Converters and LDOs

ADDR	Data Bit	Data Name	Function Description						
0x03	b7~b1	ERRDCX	<p>Record whether the UVP protection of DCDC1~DCDC7 ever occurs respectively.</p> <table border="1"> <thead> <tr> <th>ERRDCx</th> <th>Protection Occurs</th> </tr> </thead> <tbody> <tr> <td>0</td> <td>NO</td> </tr> <tr> <td>1</td> <td>YES</td> </tr> </tbody> </table>	ERRDCx	Protection Occurs	0	NO	1	YES
ERRDCx	Protection Occurs								
0	NO								
1	YES								
0x04	b1~b0	ERRLDOx	<p>Record whether the UVP protection of LDO2~LDO3 ever occurs respectively.</p> <table border="1"> <thead> <tr> <th>ERRLDOx</th> <th>Protection Occurs</th> </tr> </thead> <tbody> <tr> <td>0</td> <td>NO</td> </tr> <tr> <td>1</td> <td>YES</td> </tr> </tbody> </table>	ERRLDOx	Protection Occurs	0	NO	1	YES
ERRLDOx	Protection Occurs								
0	NO								
1	YES								
0x05	b5	RST_ERR	Write 1 to this bit to reset 0x03 and 0x04 to 0.						

## ON/OFF Control of DCDC Converters and LDOs

ADDR	Data Bit	Data Name	Function Description						
0x06	b7~ b1	ONDCx	DCDC1~DCDC7 Enable Signal. <table border="1"> <thead> <tr> <th>ONDCx</th> <th>DCDCx Status</th> </tr> </thead> <tbody> <tr> <td>0</td> <td>Shutdown</td> </tr> <tr> <td>1</td> <td><b>Operation</b></td> </tr> </tbody> </table>	ONDCx	DCDCx Status	0	Shutdown	1	<b>Operation</b>
ONDCx	DCDCx Status								
0	Shutdown								
1	<b>Operation</b>								
0x07	b1~ b0	ONLDOx	LDO2~LDO3 Enable Signal. <table border="1"> <thead> <tr> <th>ONLDOx</th> <th>LDOx Status</th> </tr> </thead> <tbody> <tr> <td>0</td> <td>Shutdown</td> </tr> <tr> <td>1</td> <td><b>Operation</b></td> </tr> </tbody> </table>	ONLDOx	LDOx Status	0	Shutdown	1	<b>Operation</b>
ONLDOx	LDOx Status								
0	Shutdown								
1	<b>Operation</b>								

## Discharge Function of DCDC Converters and LDOs

ADDR	Data Bit	Data Name	Function Description						
0x08	b7~ b1	ENDIS_DCx	Enable DCDC output discharge function during PMIC in shutdown mode. Default=1'b1 DCDC converter still has discharge function during power-off procedure even this bit is written to 0 <table border="1"> <thead> <tr> <th>ENDIS_DCx</th> <th>Discharge function</th> </tr> </thead> <tbody> <tr> <td>0</td> <td>Disable</td> </tr> <tr> <td>1</td> <td><b>Enable</b></td> </tr> </tbody> </table>	ENDIS_DCx	Discharge function	0	Disable	1	<b>Enable</b>
ENDIS_DCx	Discharge function								
0	Disable								
1	<b>Enable</b>								
0x09	b1~ b0	ENDIS_Lx	Enable LDO output discharge function. Default=1'b1 <table border="1"> <thead> <tr> <th>ENDIS_Lx</th> <th>Discharge function</th> </tr> </thead> <tbody> <tr> <td>0</td> <td>Disable</td> </tr> <tr> <td>1</td> <td><b>Enable</b></td> </tr> </tbody> </table>	ENDIS_Lx	Discharge function	0	Disable	1	<b>Enable</b>
ENDIS_Lx	Discharge function								
0	Disable								
1	<b>Enable</b>								

## Mode Control of DCDC1~DCDC7

ADDR	Data Bit	Data Name	Function Description														
0x0A 0x0B 0x0C 0x0D	b7,b6 b3,b2	DCx _NRM MODE [1:0]	Setting the operating mode of DCDC1~DCDC7 when /SLEEP pin is toggled high. Default=2'b00 <table border="1"> <thead> <tr> <th>DCx_NRM MODE[1:0]</th> <th>DCDCx Operating Mode</th> </tr> </thead> <tbody> <tr> <td>00</td> <td rowspan="2"><b>Auto PWM/PSM with ECO</b></td> </tr> <tr> <td>01</td> </tr> <tr> <td>10</td> <td>Force PWM</td> </tr> <tr> <td>11</td> <td>Auto PWM/PSM w/o ECO</td> </tr> </tbody> </table>	DCx_NRM MODE[1:0]	DCDCx Operating Mode	00	<b>Auto PWM/PSM with ECO</b>	01	10	Force PWM	11	Auto PWM/PSM w/o ECO					
DCx_NRM MODE[1:0]	DCDCx Operating Mode																
00	<b>Auto PWM/PSM with ECO</b>																
01																	
10	Force PWM																
11	Auto PWM/PSM w/o ECO																
0x0A 0x0B 0x0C 0x0D	b5,b4 b1,b0	DC1~3, DC5~7 _SLP MODE [1:0]	Setting the DCDC1, DCDC2, DCDC3, DCDC5, DCDC6 and DCDC7s' operating mode, and output voltage configuration when /SLEEP pin is toggled low. Default=2'b10 <table border="1"> <thead> <tr> <th>DCx_SLP MODE[1:0]</th> <th>DCDCx Operating Mode</th> <th>Output Voltage Configured by</th> </tr> </thead> <tbody> <tr> <td>00</td> <td>Auto PWM/PSM w/o ECO</td> <td>VODCx_NRM[x:0]</td> </tr> <tr> <td>01</td> <td rowspan="2"><b>Auto PWM/PSM with ECO</b></td> <td>VODCx_NRM[x:0]</td> </tr> <tr> <td>10</td> <td>VODCx_SLP[x:0]</td> </tr> <tr> <td>11</td> <td>shutdown</td> <td>X</td> </tr> </tbody> </table>	DCx_SLP MODE[1:0]	DCDCx Operating Mode	Output Voltage Configured by	00	Auto PWM/PSM w/o ECO	VODCx_NRM[x:0]	01	<b>Auto PWM/PSM with ECO</b>	VODCx_NRM[x:0]	10	VODCx_SLP[x:0]	11	shutdown	X
DCx_SLP MODE[1:0]	DCDCx Operating Mode	Output Voltage Configured by															
00	Auto PWM/PSM w/o ECO	VODCx_NRM[x:0]															
01	<b>Auto PWM/PSM with ECO</b>	VODCx_NRM[x:0]															
10		VODCx_SLP[x:0]															
11	shutdown	X															
0x0B	b1,b0	DC4 _SLP MODE [1:0]	Setting the operating mode of DCDC4 when /SLEEP pin is toggled low. Default=2'b10 <table border="1"> <thead> <tr> <th>DC4_SLP MODE[1:0]</th> <th>DCDC4 Operating Mode</th> </tr> </thead> <tbody> <tr> <td>00</td> <td>Auto PWM/PSM w/o ECO</td> </tr> <tr> <td>01</td> <td rowspan="2"><b>Auto PWM/PSM with ECO</b></td> </tr> <tr> <td>10</td> </tr> <tr> <td>11</td> <td>shutdown</td> </tr> </tbody> </table>	DC4_SLP MODE[1:0]	DCDC4 Operating Mode	00	Auto PWM/PSM w/o ECO	01	<b>Auto PWM/PSM with ECO</b>	10	11	shutdown					
DC4_SLP MODE[1:0]	DCDC4 Operating Mode																
00	Auto PWM/PSM w/o ECO																
01	<b>Auto PWM/PSM with ECO</b>																
10																	
11	shutdown																

## Mode Control of LDO2,LDO3

ADDR	Data Bit	Data Name	Function Description															
0x0E	b7,b6 b3,b2	LDOx _NRMODE [1:0]	Setting the LDOs' operating mode and output voltage when /SLEEP pin is toggled high. Default=2'b00 <table border="1" style="margin-top: 5px;"> <thead> <tr> <th>LDOx_NRMODE[1:0]</th> <th>MODE</th> <th>Output Voltage</th> </tr> </thead> <tbody> <tr> <td>00</td> <td rowspan="2">Normal</td> <td>VOLDOx_NRM [3:0]</td> </tr> <tr> <td>01</td> </tr> <tr> <td>10</td> <td>ECO</td> <td>VOLDOx_NRM[3:0]</td> </tr> <tr> <td>11</td> <td>Normal</td> <td>VOLDOx_NRM [3:0]</td> </tr> </tbody> </table>	LDOx_NRMODE[1:0]	MODE	Output Voltage	00	Normal	VOLDOx_NRM [3:0]	01	10	ECO	VOLDOx_NRM[3:0]	11	Normal	VOLDOx_NRM [3:0]		
LDOx_NRMODE[1:0]	MODE	Output Voltage																
00	Normal	VOLDOx_NRM [3:0]																
01																		
10	ECO	VOLDOx_NRM[3:0]																
11	Normal	VOLDOx_NRM [3:0]																
0x0E	b5,b4 b1,b0	LDOx _SLPMODE [1:0]	Setting the LDOs' operating mode and output voltage when /SLEEP pin is toggled low, Default=2'b10 <table border="1" style="margin-top: 5px;"> <thead> <tr> <th>LDOx_SLPMODE[1:0]</th> <th>MODE</th> <th>Output Voltage</th> </tr> </thead> <tbody> <tr> <td>00</td> <td>Normal</td> <td>VOLDOx_NRM [3:0]</td> </tr> <tr> <td>01</td> <td>Normal</td> <td>VOLDOx_SLP [3:0]</td> </tr> <tr> <td>10</td> <td>ECO</td> <td>VOLDOx_SLP[3:0]</td> </tr> <tr> <td>11</td> <td>Shutdown</td> <td>X</td> </tr> </tbody> </table>	LDOx_SLPMODE[1:0]	MODE	Output Voltage	00	Normal	VOLDOx_NRM [3:0]	01	Normal	VOLDOx_SLP [3:0]	10	ECO	VOLDOx_SLP[3:0]	11	Shutdown	X
LDOx_SLPMODE[1:0]	MODE	Output Voltage																
00	Normal	VOLDOx_NRM [3:0]																
01	Normal	VOLDOx_SLP [3:0]																
10	ECO	VOLDOx_SLP[3:0]																
11	Shutdown	X																

## Voltage Control of RTCLDO

ADDR	Data Bit	Data Name	Function Description																																								
0x05	b3~b0	VORTC[3:0]	Setting the output voltage of RTCLDO, Default=4'b0000 <table border="1" style="margin-top: 5px;"> <thead> <tr> <th>VORTC [3:0]</th> <th>VORTC</th> <th>VORTC [3:0]</th> <th>VORTC</th> <th>VORTC [3:0]</th> <th>VORTC</th> <th>VORTC [3:0]</th> <th>VORTC</th> </tr> </thead> <tbody> <tr> <td>1111</td> <td>3.7V</td> <td>1011</td> <td>3.3V</td> <td>0111</td> <td>2.9V</td> <td>0011</td> <td>2.5V</td> </tr> <tr> <td>1110</td> <td>3.6V</td> <td>1010</td> <td>3.2V</td> <td>0110</td> <td>2.8V</td> <td>0010</td> <td>2.4V</td> </tr> <tr> <td>1101</td> <td>3.5V</td> <td>1001</td> <td>3.1V</td> <td>0101</td> <td>2.7V</td> <td>0001</td> <td>2.3V</td> </tr> <tr> <td>1100</td> <td>3.4V</td> <td>1000</td> <td>3.0V</td> <td>0100</td> <td>2.6V</td> <td>0000</td> <td>1.8V</td> </tr> </tbody> </table>	VORTC [3:0]	VORTC	VORTC [3:0]	VORTC	VORTC [3:0]	VORTC	VORTC [3:0]	VORTC	1111	3.7V	1011	3.3V	0111	2.9V	0011	2.5V	1110	3.6V	1010	3.2V	0110	2.8V	0010	2.4V	1101	3.5V	1001	3.1V	0101	2.7V	0001	2.3V	1100	3.4V	1000	3.0V	0100	2.6V	0000	1.8V
VORTC [3:0]	VORTC	VORTC [3:0]	VORTC	VORTC [3:0]	VORTC	VORTC [3:0]	VORTC																																				
1111	3.7V	1011	3.3V	0111	2.9V	0011	2.5V																																				
1110	3.6V	1010	3.2V	0110	2.8V	0010	2.4V																																				
1101	3.5V	1001	3.1V	0101	2.7V	0001	2.3V																																				
1100	3.4V	1000	3.0V	0100	2.6V	0000	1.8V																																				

## Voltage Control of LDO2, LDO3

ADDR	Data Bit	Data Name	Function Description																																								
0x15 0x1C	b7~b4	VOLDO2 _NRM[3:0] /VOLDO2 _SLP[3:0]	Setting the output voltage of LDO2, VOLDO2_NRM/VOLDO2_SLP Default=4'b0111 <table border="1" style="margin-top: 5px;"> <thead> <tr> <th>VOLDO2_ [3:0]</th> <th>LDO2</th> <th>VOLDO2_ [3:0]</th> <th>LDO2</th> <th>VOLDO2_ [3:0]</th> <th>LDO2</th> <th>VOLDO2_ [3:0]</th> <th>LDO2</th> </tr> </thead> <tbody> <tr> <td>1111</td> <td>2.5V</td> <td>1011</td> <td>1.7V</td> <td>0111</td> <td>1.2V</td> <td>0011</td> <td>0.95V</td> </tr> <tr> <td>1110</td> <td>2.0V</td> <td>1010</td> <td>1.6V</td> <td>0110</td> <td>1.1V</td> <td>0010</td> <td>0.90V</td> </tr> <tr> <td>1101</td> <td>1.9V</td> <td>1001</td> <td>1.5V</td> <td>0101</td> <td>1.05V</td> <td>0001</td> <td>0.85V</td> </tr> <tr> <td>1100</td> <td>1.8V</td> <td>1000</td> <td>1.3V</td> <td>0100</td> <td>1.0V</td> <td>0000</td> <td>0.80V</td> </tr> </tbody> </table>	VOLDO2_ [3:0]	LDO2	VOLDO2_ [3:0]	LDO2	VOLDO2_ [3:0]	LDO2	VOLDO2_ [3:0]	LDO2	1111	2.5V	1011	1.7V	0111	1.2V	0011	0.95V	1110	2.0V	1010	1.6V	0110	1.1V	0010	0.90V	1101	1.9V	1001	1.5V	0101	1.05V	0001	0.85V	1100	1.8V	1000	1.3V	0100	1.0V	0000	0.80V
VOLDO2_ [3:0]	LDO2	VOLDO2_ [3:0]	LDO2	VOLDO2_ [3:0]	LDO2	VOLDO2_ [3:0]	LDO2																																				
1111	2.5V	1011	1.7V	0111	1.2V	0011	0.95V																																				
1110	2.0V	1010	1.6V	0110	1.1V	0010	0.90V																																				
1101	1.9V	1001	1.5V	0101	1.05V	0001	0.85V																																				
1100	1.8V	1000	1.3V	0100	1.0V	0000	0.80V																																				
0x15 0x1C	b3~b0	VOLDO3 _NRM[3:0] /VOLDO3 _SLP[3:0]	Setting the output voltage of LDO3, VOLDO3_NRM/VOLDO3_SLP Default=4'b1100 <table border="1" style="margin-top: 5px;"> <thead> <tr> <th>VOLDO3_ [3:0]</th> <th>LDO3</th> <th>VOLDO3_ [3:0]</th> <th>LDO3</th> <th>VOLDO3_ [3:0]</th> <th>LDO3</th> <th>VOLDO3_ [3:0]</th> <th>LDO3</th> </tr> </thead> <tbody> <tr> <td>1111</td> <td>2.5V</td> <td>1011</td> <td>1.7V</td> <td>0111</td> <td>1.2V</td> <td>0011</td> <td>0.95V</td> </tr> <tr> <td>1110</td> <td>2.0V</td> <td>1010</td> <td>1.6V</td> <td>0110</td> <td>1.1V</td> <td>0010</td> <td>0.90V</td> </tr> <tr> <td>1101</td> <td>1.9V</td> <td>1001</td> <td>1.5V</td> <td>0101</td> <td>1.05V</td> <td>0001</td> <td>0.85V</td> </tr> <tr> <td>1100</td> <td>1.8V</td> <td>1000</td> <td>1.3V</td> <td>0100</td> <td>1.0V</td> <td>0000</td> <td>0.80V</td> </tr> </tbody> </table>	VOLDO3_ [3:0]	LDO3	VOLDO3_ [3:0]	LDO3	VOLDO3_ [3:0]	LDO3	VOLDO3_ [3:0]	LDO3	1111	2.5V	1011	1.7V	0111	1.2V	0011	0.95V	1110	2.0V	1010	1.6V	0110	1.1V	0010	0.90V	1101	1.9V	1001	1.5V	0101	1.05V	0001	0.85V	1100	1.8V	1000	1.3V	0100	1.0V	0000	0.80V
VOLDO3_ [3:0]	LDO3	VOLDO3_ [3:0]	LDO3	VOLDO3_ [3:0]	LDO3	VOLDO3_ [3:0]	LDO3																																				
1111	2.5V	1011	1.7V	0111	1.2V	0011	0.95V																																				
1110	2.0V	1010	1.6V	0110	1.1V	0010	0.90V																																				
1101	1.9V	1001	1.5V	0101	1.05V	0001	0.85V																																				
1100	1.8V	1000	1.3V	0100	1.0V	0000	0.80V																																				

## Voltage Control of DCDC1~DCDC7

ADDR	Data Bit	Data Name	Function Description																																																																																																						
0x0F 0x16	b3~b0	VODC1 _NRM[3:0] /VODC1 _SLP[3:0]	Setting the output voltage of DCDC1 in Normal/Sleep mode, Default=4'b1011																																																																																																						
			<table border="1"> <thead> <tr> <th>VODC1 [3:0]</th> <th>VO1</th> <th>VODC1 [3:0]</th> <th>VO1</th> <th>VODC1 [3:0]</th> <th>VO1</th> <th>VODC1 [3:0]</th> <th>VO1</th> </tr> </thead> <tbody> <tr> <td>1111</td> <td>3.7V</td> <td><b>1011</b></td> <td><b>3.3V</b></td> <td>0111</td> <td>2.9V</td> <td>0011</td> <td>2.5V</td> </tr> <tr> <td>1110</td> <td>3.6V</td> <td>1010</td> <td>3.2V</td> <td>0110</td> <td>2.8V</td> <td>0010</td> <td>2.4V</td> </tr> <tr> <td>1101</td> <td>3.5V</td> <td>1001</td> <td>3.1V</td> <td>0101</td> <td>2.7V</td> <td>0001</td> <td>2.3V</td> </tr> <tr> <td>1100</td> <td>3.4V</td> <td>1000</td> <td>3.0V</td> <td>0100</td> <td>2.6V</td> <td>0000</td> <td>2.2V</td> </tr> </tbody> </table>	VODC1 [3:0]	VO1	VODC1 [3:0]	VO1	VODC1 [3:0]	VO1	VODC1 [3:0]	VO1	1111	3.7V	<b>1011</b>	<b>3.3V</b>	0111	2.9V	0011	2.5V	1110	3.6V	1010	3.2V	0110	2.8V	0010	2.4V	1101	3.5V	1001	3.1V	0101	2.7V	0001	2.3V	1100	3.4V	1000	3.0V	0100	2.6V	0000	2.2V																																																														
			VODC1 [3:0]	VO1	VODC1 [3:0]	VO1	VODC1 [3:0]	VO1	VODC1 [3:0]	VO1																																																																																															
			1111	3.7V	<b>1011</b>	<b>3.3V</b>	0111	2.9V	0011	2.5V																																																																																															
			1110	3.6V	1010	3.2V	0110	2.8V	0010	2.4V																																																																																															
1101	3.5V	1001	3.1V	0101	2.7V	0001	2.3V																																																																																																		
1100	3.4V	1000	3.0V	0100	2.6V	0000	2.2V																																																																																																		
Setting the feedback reference voltage of DCDC2, DCDC3 and DCDC6 in Normal/Sleep mode. VOx=VFBx x1.125, Default=5'b10000																																																																																																									
VFBx=0.64V + 10mV x Value, VOx=0.72V + 11.25mV x Value, where Value is 5-bit binary code																																																																																																									
0x10 0x11 0x13 0x17 0x18 0x1A	b4~b0	VODCx _NRM[4:0] /VODCx _SLP[4:0]	<table border="1"> <thead> <tr> <th>FBDXC[4:0]</th> <th>VFBX</th> <th>VOX</th> <th>FBDXC[4:0]</th> <th>VFBX</th> <th>VOX</th> </tr> </thead> <tbody> <tr><td>11111</td><td>0.95V</td><td>1.06875V</td><td>01111</td><td>0.79V</td><td>0.88875V</td></tr> <tr><td>11110</td><td>0.94V</td><td>1.0575V</td><td>01110</td><td>0.78V</td><td>0.8775V</td></tr> <tr><td>11101</td><td>0.93V</td><td>1.04625V</td><td>01101</td><td>0.77V</td><td>0.86625V</td></tr> <tr><td>11100</td><td>0.92V</td><td>1.035V</td><td>01100</td><td>0.76V</td><td>0.855V</td></tr> <tr><td>11011</td><td>0.91V</td><td>1.02375V</td><td>01011</td><td>0.75V</td><td>0.84375V</td></tr> <tr><td>11010</td><td>0.90V</td><td>1.0125V</td><td>01010</td><td>0.74V</td><td>0.8325V</td></tr> <tr><td>11001</td><td>0.89V</td><td>1.00125V</td><td>01001</td><td>0.73V</td><td>0.82125V</td></tr> <tr><td>11000</td><td>0.88V</td><td>0.99V</td><td>01000</td><td>0.72V</td><td>0.81V</td></tr> <tr><td>10111</td><td>0.87V</td><td>0.97875V</td><td>00111</td><td>0.71V</td><td>0.79875V</td></tr> <tr><td>10110</td><td>0.86V</td><td>0.9675V</td><td>00110</td><td>0.70V</td><td>0.7875V</td></tr> <tr><td>10101</td><td>0.85V</td><td>0.95625V</td><td>00101</td><td>0.69V</td><td>0.77625V</td></tr> <tr><td>10100</td><td>0.84V</td><td>0.945V</td><td>00100</td><td>0.68V</td><td>0.765V</td></tr> <tr><td>10011</td><td>0.83V</td><td>0.93375V</td><td>00011</td><td>0.67V</td><td>0.75375V</td></tr> <tr><td>10010</td><td>0.82V</td><td>0.9225V</td><td>00010</td><td>0.66V</td><td>0.7425V</td></tr> <tr><td>10001</td><td>0.81V</td><td>0.91125V</td><td>00001</td><td>0.65V</td><td>0.73125V</td></tr> <tr><td><b>10000</b></td><td><b>0.80V</b></td><td><b>0.9V</b></td><td><b>00000</b></td><td><b>0.64V</b></td><td><b>0.72V</b></td></tr> </tbody> </table>	FBDXC[4:0]	VFBX	VOX	FBDXC[4:0]	VFBX	VOX	11111	0.95V	1.06875V	01111	0.79V	0.88875V	11110	0.94V	1.0575V	01110	0.78V	0.8775V	11101	0.93V	1.04625V	01101	0.77V	0.86625V	11100	0.92V	1.035V	01100	0.76V	0.855V	11011	0.91V	1.02375V	01011	0.75V	0.84375V	11010	0.90V	1.0125V	01010	0.74V	0.8325V	11001	0.89V	1.00125V	01001	0.73V	0.82125V	11000	0.88V	0.99V	01000	0.72V	0.81V	10111	0.87V	0.97875V	00111	0.71V	0.79875V	10110	0.86V	0.9675V	00110	0.70V	0.7875V	10101	0.85V	0.95625V	00101	0.69V	0.77625V	10100	0.84V	0.945V	00100	0.68V	0.765V	10011	0.83V	0.93375V	00011	0.67V	0.75375V	10010	0.82V	0.9225V	00010	0.66V	0.7425V	10001	0.81V	0.91125V	00001	0.65V	0.73125V	<b>10000</b>	<b>0.80V</b>	<b>0.9V</b>	<b>00000</b>	<b>0.64V</b>	<b>0.72V</b>
			FBDXC[4:0]	VFBX	VOX	FBDXC[4:0]	VFBX	VOX																																																																																																	
			11111	0.95V	1.06875V	01111	0.79V	0.88875V																																																																																																	
			11110	0.94V	1.0575V	01110	0.78V	0.8775V																																																																																																	
			11101	0.93V	1.04625V	01101	0.77V	0.86625V																																																																																																	
			11100	0.92V	1.035V	01100	0.76V	0.855V																																																																																																	
			11011	0.91V	1.02375V	01011	0.75V	0.84375V																																																																																																	
			11010	0.90V	1.0125V	01010	0.74V	0.8325V																																																																																																	
			11001	0.89V	1.00125V	01001	0.73V	0.82125V																																																																																																	
			11000	0.88V	0.99V	01000	0.72V	0.81V																																																																																																	
			10111	0.87V	0.97875V	00111	0.71V	0.79875V																																																																																																	
			10110	0.86V	0.9675V	00110	0.70V	0.7875V																																																																																																	
			10101	0.85V	0.95625V	00101	0.69V	0.77625V																																																																																																	
			10100	0.84V	0.945V	00100	0.68V	0.765V																																																																																																	
			10011	0.83V	0.93375V	00011	0.67V	0.75375V																																																																																																	
			10010	0.82V	0.9225V	00010	0.66V	0.7425V																																																																																																	
			10001	0.81V	0.91125V	00001	0.65V	0.73125V																																																																																																	
<b>10000</b>	<b>0.80V</b>	<b>0.9V</b>	<b>00000</b>	<b>0.64V</b>	<b>0.72V</b>																																																																																																				
Setting the feedback reference voltage of DCDC5 in Normal/Sleep mode. VOx=VFBx x1.5, Default=5'b10000																																																																																																									
VFBx=0.64V + 10mV x Value, VOx=0.96V + 15mV x Value, where Value is 5-bit binary code																																																																																																									
0x12 0x19	b4~b0	VODC5 _NRM[4:0] /VODC5 _SLP[4:0]	<table border="1"> <thead> <tr> <th>FBDXC[4:0]</th> <th>VFBX</th> <th>VOX</th> <th>FBDXC[4:0]</th> <th>VFBX</th> <th>VOX</th> </tr> </thead> <tbody> <tr><td>11111</td><td>0.95V</td><td>1.425V</td><td>01111</td><td>0.79V</td><td>1.185V</td></tr> <tr><td>11110</td><td>0.94V</td><td>1.41V</td><td>01110</td><td>0.78V</td><td>1.17V</td></tr> <tr><td>11101</td><td>0.93V</td><td>1.395V</td><td>01101</td><td>0.77V</td><td>1.155V</td></tr> <tr><td>11100</td><td>0.92V</td><td>1.38V</td><td>01100</td><td>0.76V</td><td>1.14V</td></tr> <tr><td>11011</td><td>0.91V</td><td>1.365V</td><td>01011</td><td>0.75V</td><td>1.125V</td></tr> <tr><td>11010</td><td>0.90V</td><td>1.35V</td><td>01010</td><td>0.74V</td><td>1.11V</td></tr> <tr><td>11001</td><td>0.89V</td><td>1.335V</td><td>01001</td><td>0.73V</td><td>1.095V</td></tr> <tr><td>11000</td><td>0.88V</td><td>1.32V</td><td>01000</td><td>0.72V</td><td>1.08V</td></tr> <tr><td>10111</td><td>0.87V</td><td>1.305V</td><td>00111</td><td>0.71V</td><td>1.065V</td></tr> <tr><td>10110</td><td>0.86V</td><td>1.29V</td><td>00110</td><td>0.70V</td><td>1.05V</td></tr> <tr><td>10101</td><td>0.85V</td><td>1.275V</td><td>00101</td><td>0.69V</td><td>1.035V</td></tr> <tr><td>10100</td><td>0.84V</td><td>1.26V</td><td>00100</td><td>0.68V</td><td>1.02V</td></tr> <tr><td>10011</td><td>0.83V</td><td>1.245V</td><td>00011</td><td>0.67V</td><td>1.005V</td></tr> <tr><td>10010</td><td>0.82V</td><td>1.23V</td><td>00010</td><td>0.66V</td><td>0.99V</td></tr> <tr><td>10001</td><td>0.81V</td><td>1.215V</td><td>00001</td><td>0.65V</td><td>0.975V</td></tr> <tr><td><b>10000</b></td><td><b>0.80V</b></td><td><b>1.2V</b></td><td><b>00000</b></td><td><b>0.64V</b></td><td><b>0.96V</b></td></tr> </tbody> </table>	FBDXC[4:0]	VFBX	VOX	FBDXC[4:0]	VFBX	VOX	11111	0.95V	1.425V	01111	0.79V	1.185V	11110	0.94V	1.41V	01110	0.78V	1.17V	11101	0.93V	1.395V	01101	0.77V	1.155V	11100	0.92V	1.38V	01100	0.76V	1.14V	11011	0.91V	1.365V	01011	0.75V	1.125V	11010	0.90V	1.35V	01010	0.74V	1.11V	11001	0.89V	1.335V	01001	0.73V	1.095V	11000	0.88V	1.32V	01000	0.72V	1.08V	10111	0.87V	1.305V	00111	0.71V	1.065V	10110	0.86V	1.29V	00110	0.70V	1.05V	10101	0.85V	1.275V	00101	0.69V	1.035V	10100	0.84V	1.26V	00100	0.68V	1.02V	10011	0.83V	1.245V	00011	0.67V	1.005V	10010	0.82V	1.23V	00010	0.66V	0.99V	10001	0.81V	1.215V	00001	0.65V	0.975V	<b>10000</b>	<b>0.80V</b>	<b>1.2V</b>	<b>00000</b>	<b>0.64V</b>	<b>0.96V</b>
			FBDXC[4:0]	VFBX	VOX	FBDXC[4:0]	VFBX	VOX																																																																																																	
			11111	0.95V	1.425V	01111	0.79V	1.185V																																																																																																	
			11110	0.94V	1.41V	01110	0.78V	1.17V																																																																																																	
			11101	0.93V	1.395V	01101	0.77V	1.155V																																																																																																	
			11100	0.92V	1.38V	01100	0.76V	1.14V																																																																																																	
			11011	0.91V	1.365V	01011	0.75V	1.125V																																																																																																	
			11010	0.90V	1.35V	01010	0.74V	1.11V																																																																																																	
			11001	0.89V	1.335V	01001	0.73V	1.095V																																																																																																	
			11000	0.88V	1.32V	01000	0.72V	1.08V																																																																																																	
			10111	0.87V	1.305V	00111	0.71V	1.065V																																																																																																	
			10110	0.86V	1.29V	00110	0.70V	1.05V																																																																																																	
			10101	0.85V	1.275V	00101	0.69V	1.035V																																																																																																	
			10100	0.84V	1.26V	00100	0.68V	1.02V																																																																																																	
			10011	0.83V	1.245V	00011	0.67V	1.005V																																																																																																	
			10010	0.82V	1.23V	00010	0.66V	0.99V																																																																																																	
			10001	0.81V	1.215V	00001	0.65V	0.975V																																																																																																	
<b>10000</b>	<b>0.80V</b>	<b>1.2V</b>	<b>00000</b>	<b>0.64V</b>	<b>0.96V</b>																																																																																																				

0x14 0x1B	b3~b0	VODC7 _NRM[3:0] /VODC7 _SLP[3:0]	Setting the output voltage of DCDC7 in Normal/Sleep mode, Default=4'b1111							
			VODC7 [3:0]	VO7	VODC7 [3:0]	VO7	VODC7 [3:0]	VO7	VODC7 [3:0]	VO7
			<b>1111</b>	<b>3.3V</b>	1011	1.7V	0111	1.2V	0011	0.95V
			1110	2.8V	1010	1.6V	0110	1.1V	0010	0.90V
			1101	1.9V	1001	1.5V	0101	1.05V	0001	0.85V
			1100	1.8V	1000	1.3V	0100	1.0V	0000	0.80V

### DCDC2 Operating Frequency Control

ADDR	Data Bit	Data Name	Function Description	
0x05	b4	FSEL	DCDC2 Operating Frequency Control. Default=1'b0	
			FSEL	Frequency
			<b>0</b>	<b>1.5MHz</b>
			1	3.0MHz

### Version Code of G2249

ADDR	Data Bit	Data Name	Function Description
0x1D	b5~b0	CHIP_ID [5:0]	CHIP_ID[5:0] is the identification code of G2249, code=6'b110001
0x1E	b3~b0	VERSION [3:0]	VERSION[3:0] is the version code of G2249



## FUNCTION DESCRIPTION

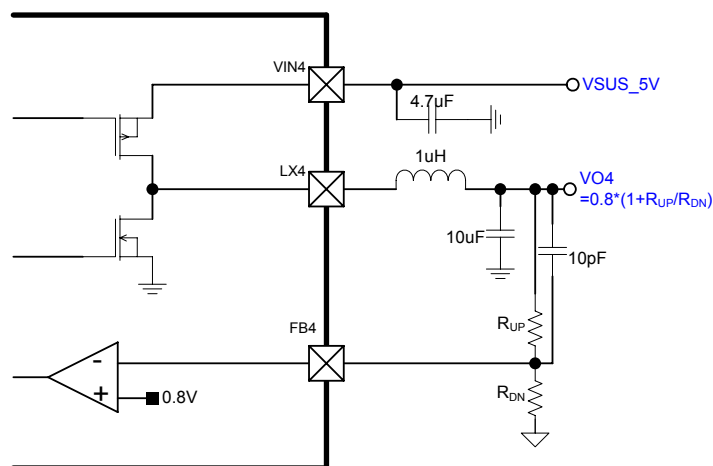
### PMU

The G2249 includes 7 DC/DC Converter, and 3 LDO regulators to generate a multiple-output power-supply system.

	Topology	Default V <sub>OUT</sub>	V <sub>OUT</sub> range	Current rating	ON/OFF Control
DCDC1	3MHz Sync. Buck Converter	3.3V	16-steps voltages from 2.2v to 3.7v configured by I <sup>2</sup> C	2.0A	Controlled by register bit ONDC1
DCDC2	1.5MHz Sync. Buck Converter	0.9V	32-steps DVS from 0.72v to 1.06875v configured by I <sup>2</sup> C	3.0A	Controlled by register bit ONDC2
DCDC3	3MHz Sync. Buck Converter	0.9V	32-steps DVS from 0.72v to 1.06875v configured by I <sup>2</sup> C	2.0A	Controlled by register bit ONDC3
DCDC4	3MHz Sync. Buck Converter	1.8V	Configured by FB4 pin resistors.	2.0A	Controlled by register bit ONDC4
DCDC5	3MHz Sync. Buck Converter	1.2V	32-steps DVS from 0.96v to 1.425v configured by I <sup>2</sup> C	2.0A	Controlled by register bit ONDC5
DCDC6	3MHz Sync. Buck Converter	0.9V	32-steps DVS from 0.72v to 1.06875v configured by I <sup>2</sup> C	2.0A	Controlled by register bit ONDC6
DCDC7	3MHz Sync. Buck Converter	3.3V	16-steps voltages from 0.8v to 3.3v configured by I <sup>2</sup> C	2.0A	Controlled by register bit ONDC7
LDO1	RTC LDO	1.8V	16-steps voltages from 1.8v to 3.7v configured by I <sup>2</sup> C	50mA	Always ON
LDO2	PMOS LDO	1.2V	16-steps voltages from 0.8v to 2.5v configured by I <sup>2</sup> C	600mA	Controlled by register bit ONLDO2
LDO3	NMOS LDO	1.8V	16-steps voltages from 0.8v to 2.5v configured by I <sup>2</sup> C	600mA	Controlled by register bit ONLDO3

### DCDC4 Output Voltage Setting

The output voltage of DCDC4 is decided according to the resistor R<sub>UP</sub> connecting between FB4 to converter's output voltage, and the resistor R<sub>DN</sub> connecting between FB4 to ground. The suggesting resistance of R<sub>DN</sub> is 160kΩ.



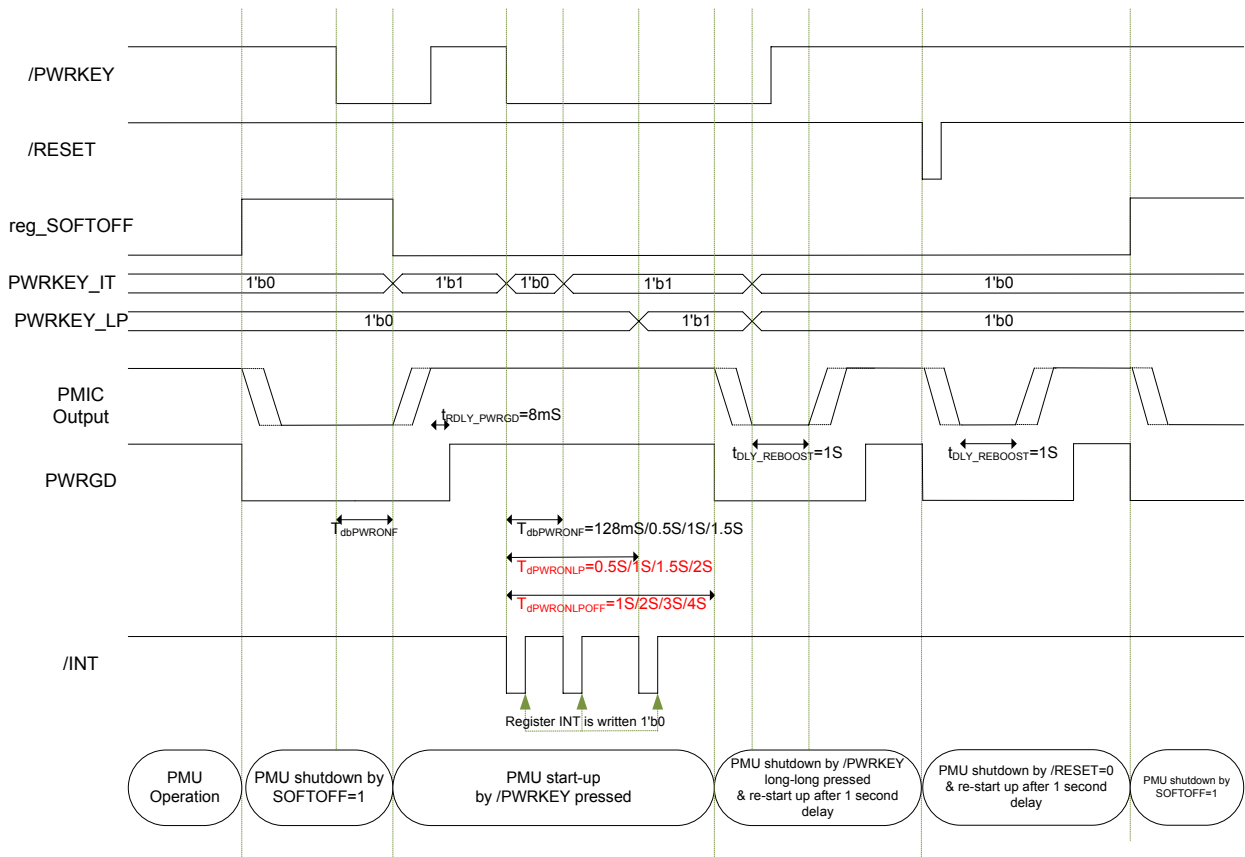
## PMU Power ON/OFF Initiation (PWRON\_MODE=0)

The following conditions are available to turn on the PMU of G2249:

- /PWRKEY pin is low-level pressed with duration longer than  $T_{dbPWRKEYF}$
- After 1 second delay from shutdown of G2249 caused by /PWRKEY pin is long-long pressed with duration longer than  $T_{dPWRKEYLPOFF}$ , and register ENLPOFF=1'b1, LPOFF\_TO\_DO=1'b1.
- After 1 second delay from shutdown of G2249 caused by toggling /RESET pin low.
- The voltage applied in VCC pin is higher than  $V_{VCC\_UVLO}+V_{VCC\_UVLOHYS}$  (3.5V typ.)

The following conditions are available to turn off the PMU of G2249:

- /PWRKEY pin is low-level pressed with duration longer than  $T_{dPWRKEYLPOFF}$  (if ENLPOFF=1'b1)
- Write 1 to register SOFTOFF after PWRGD is turned high.
- /RESET pin is toggle low.
- Output voltage UVP of DCDC converters occurs with duration longer than 128ms
- G2249 thermal shutdown occurs.



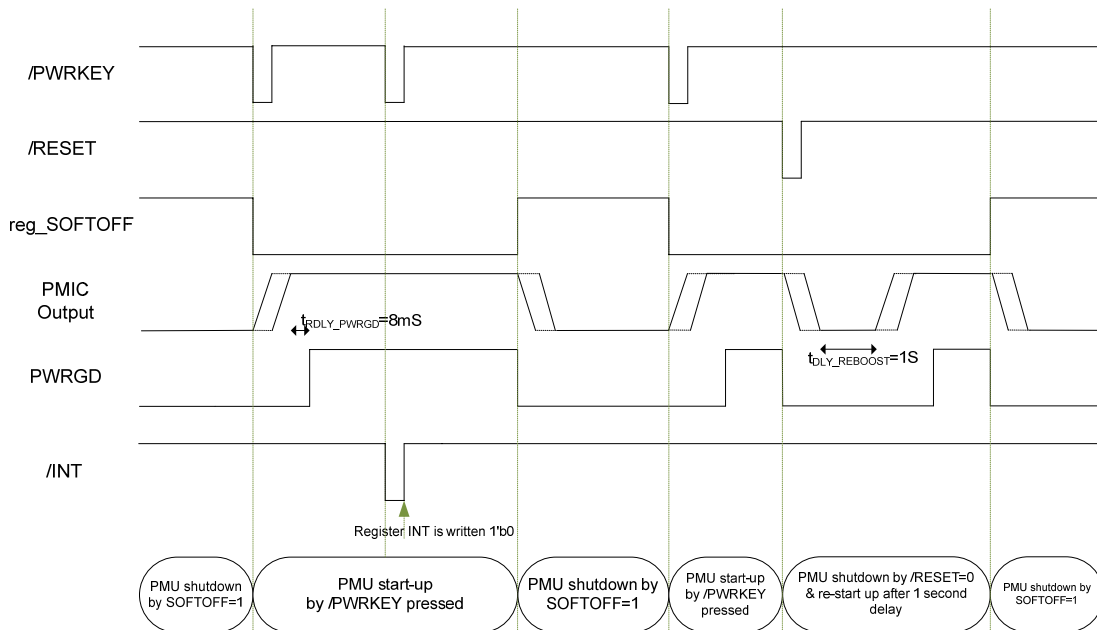
## PMU Power ON/OFF Initiation (PWRON\_MODE=Floating)

The following conditions are available to turn on the PMU of G2249:

- /PWRKEY pin is toggle low.
- After 1 second delay from shutdown of G2249 caused by toggling /RESET pin low.

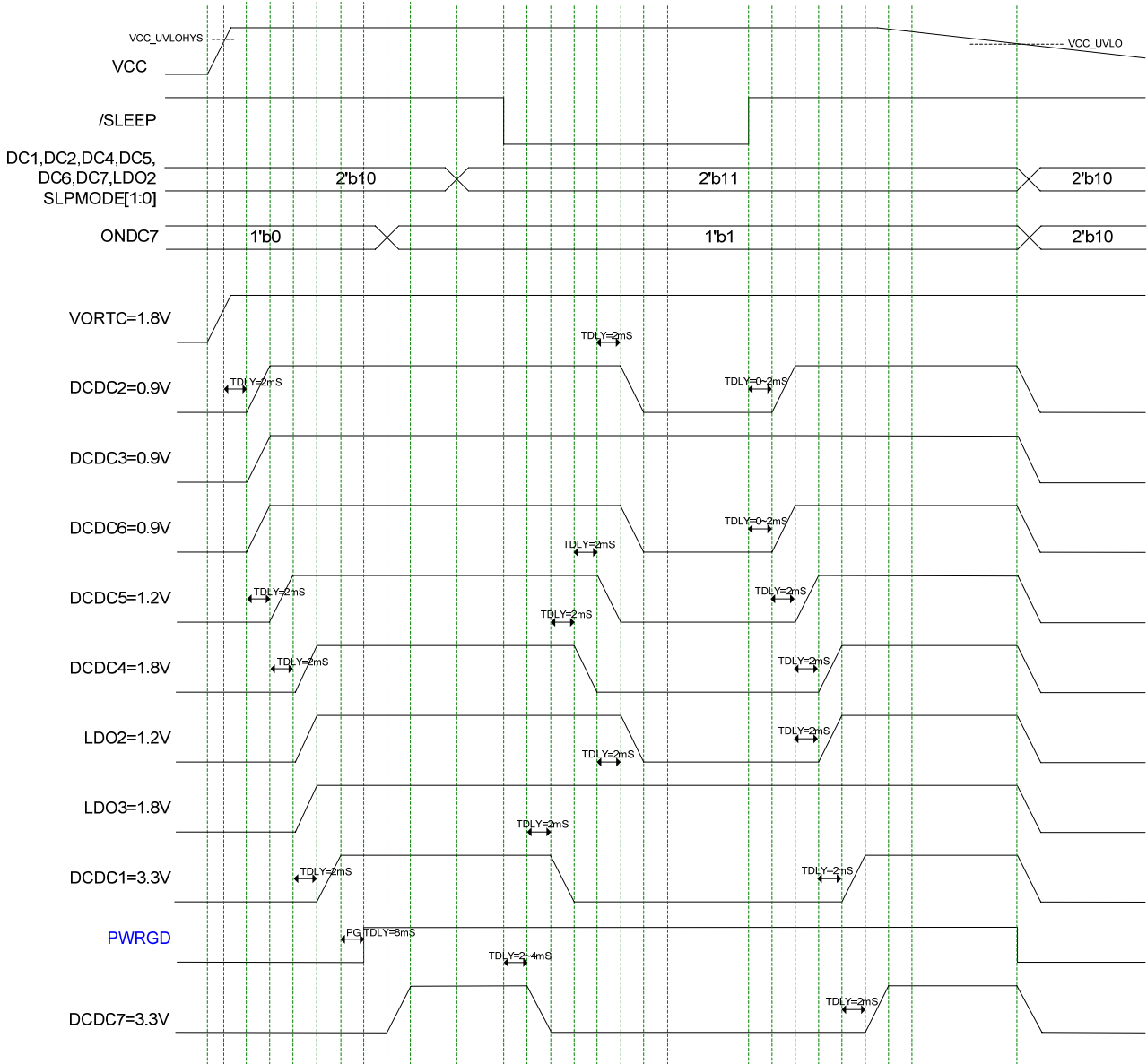
The following conditions are available to turn off the PMU of G2249:

- Write 1 to register SOFTOFF after PWRGD is turned high.
- /RESET pin is toggle low.
- Output voltage UVP of DCDC converters occurs with duration longer than 128mS
- G2249 thermal shutdown occurs.



## PMU Power ON/OFF Sequence

When the power on condition is met, these DC/DC converters and LDOs start up in sequence. DCDC7 can start up by writing 1 to register bit ONDC7 after DCDC1 finishing startup process. After these converters finish power on sequence, the open-drain output PWRGD is high with 8ms time delay from DCDC1 are power ready. When G2249 enter sleep mode controlled by toggling /SLEEP pin low, PWRGD pin keeps high, and all converters' on/off mode is according to the setting of SLPMODE[1:0].



**PMU Fault Protection**

G2249 PMU provides VCC over voltage protection, over-current protection, under-voltage protection, short-circuit protection, and thermal shutdown protection to achieve complete protection.

	Protection type	Threshold	Protection methods	Reset Method
<b>VCC</b>	OVP	$VCC > 6.0V$	IC shutdown	Reset by the power- on/off initiation conditions
<b>DCDC1</b> Buck	Current Limit	pMOS current $> 2.8A$	pMOS Off, nMOS on	Automatic Reset at next cycle
	UVP	$VOUT1 < 75\% * VOUT_{SET}$	IC shutdown if period above 128ms	Reset by the power- on/off initiation conditions
<b>DCDC2</b> Buck	Current Limit	pMOS current $> 4.0A$	pMOS Off, nMOS on	Automatic Reset at next cycle
	UVP	$VOUT2 < VOUT_{SET} - 100mV$	IC shutdown if period above 128ms	Reset by the power- on/off initiation conditions
<b>DCDC3</b> Buck	Current Limit	pMOS current $> 2.8A$	pMOS Off, nMOS on	Automatic Reset at next cycle
	UVP	$VOUT3 < VOUT_{SET} - 100mV$	IC shutdown if period above 128ms	Reset by the power- on/off initiation conditions
<b>DCDC4</b> Buck	Current Limit	pMOS current $> 2.8A$	pMOS Off, nMOS on	Automatic Reset at next cycle
	UVP	$VOUT4 < 87.5\% * VOUT_{SET}$	IC shutdown if period above 128ms	Reset by the power- on/off initiation conditions
<b>DCDC5</b> Buck	Current Limit	pMOS current $> 2.8A$	pMOS Off, nMOS on	Automatic Reset at next cycle
	UVP	$VOUT5 < VOUT_{SET} - 100mV$	IC shutdown if period above 128ms	Reset by the power- on/off initiation conditions
<b>DCDC6</b> Buck	Current Limit	pMOS current $> 2.8A$	pMOS Off, nMOS on	Automatic Reset at next cycle
	UVP	$VOUT6 < VOUT_{SET} - 100mV$	IC shutdown if period above 128ms	Reset by the power- on/off initiation conditions
<b>DCDC7</b> Buck	Current Limit	pMOS current $> 2.8A$	pMOS Off, nMOS on	Automatic Reset at next cycle
	UVP	$VOUT7 < 87.5\% * VOUT_{SET}$	IC shutdown if period above 128ms	Reset by the power- on/off initiation conditions
<b>LDO2</b> LDO	Current Limit	pMOS current $> 600mA$		pMOS current $< 450mA$
	UVP	$LDOO2 < 12.5\% * LDOO2_{SET}$	pMOS Off	Reset by the power- on/off initiation conditions, or I <sup>2</sup> C ONLDO2 control
<b>LDO3</b> LDO	Current Limit	nMOS current $> 600mA$		nMOS current $< 450mA$
	UVP	$LDOO3 < 12.5\% * LDOO3_{SET}$	nMOS Off	Reset by the power- on/off initiation conditions, or I <sup>2</sup> C ONLDO3 control
<b>Thermal</b>	TSD	Junction Temp. $> 150^{\circ}C$	IC shutdown	Reset by the power- on/off initiation conditions

## Application Information

### Inductor Selection

The inductor value is chosen based on the desired ripple current. Large value inductors lower ripple current. The  $\Delta I_L$  is inductor peak-to-peak ripple current:

$$\Delta I_L = \frac{V_{OUT}}{F_{SW} \times L} \times \left( 1 - \frac{V_{OUT}}{V_{IN}} \right)$$

,where  $F_{SW}$  is switching frequency.

A good rule between physical size and efficiency is to allow the peak-to-peak ripple current equal to 30% of the maximum load current. The reasonable inductor current ripple is usually set as 20% to 50% of maximum output current. The DC current rating of the inductor should be at least equal to the maximum load current plus half the ripple current to prevent core saturation.

$$I_{L,MAX} = I_{LOAD,MAX} + \frac{\Delta I_L}{2}$$

### Input Capacitor Selection

Because the input current to the step-down converter is discontinuous, a capacitor is required to supply the AC current to the converter to maintain the DC input voltage. To prevent large voltage transients, a low ESR capacitor sized for maximum RMS current must be used. The input capacitor is given by:

$$C_{IN,MIN} = \frac{I_{LOAD}}{F_{SW} \times \Delta V_{IN\_RIPPLE,MAX}} \times \frac{V_{OUT}}{V_{IN}} \times \left( 1 - \frac{V_{OUT}}{V_{IN}} \right)$$

### Output Capacitor Selection

The selection of  $C_{OUT}$  is driven by the required effective series resistance (ESR). Typically, once the ESR requirement for  $C_{OUT}$  has been met, the RMS current rating generally far exceeds the  $C_{OUT}$  requirement. The output ripple  $\Delta V_{OUT}$  is determined by:

$$\Delta V_{OUT} \cong \Delta I_L \times \left( R_{ESR} + \frac{1}{8 \times F_{SW} \times C_{OUT}} \right)$$

For a fixed output voltage, the output ripple is highest at maximum input voltage since  $\Delta I_L$  increase with input voltage.

### Load Step Regulation

The max positive and negative steps in output load current,  $\Delta I_{out}$ , cause maximum output capacitor voltage undershoots,  $\Delta V_{sag}$ , and overshoots,  $\Delta V_{soar}$ , respectively. They are limited by rate at which the output inductor can supply or remove the new load current after the step. The change in current due to the step is initially removed from or supplied to the output capacitor, until the inductor can fully supply the new load current. This is expressed in the equations below:

$$V_{SAG} = \frac{L \times (\Delta I_{LOAD})^2}{2 \times C_{OUT} \times (V_{IN,MIN} \times D_{MAX} - V_{OUT})}$$

$$V_{SOAR} = \frac{L \times (\Delta I_{LOAD})^2}{2 \times C_{OUT} \times V_{OUT}}$$

## Setting the DCDC4 Output Voltage

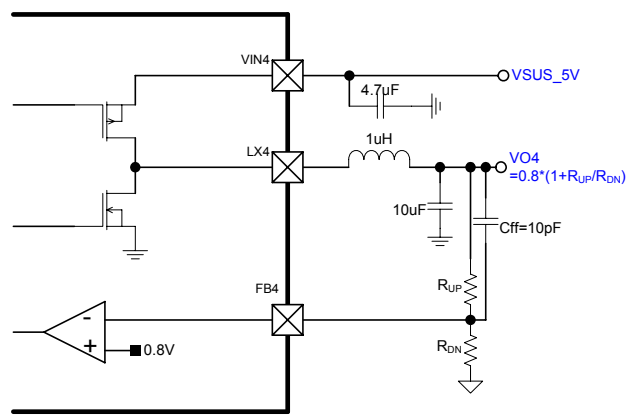
The output voltage of DCDC4 is set by a resistive divider according to the following formula:

$$V_{O4} = 0.8 \times \left( 1 + \frac{R_{UP}}{R_{DN}} \right)$$

To optimize transient response, a Cff value is chosen such that the gain and phase boost of the feedback increases the bandwidth of the converter, while still maintaining an acceptable phase margin. Calculate the appropriate capacitor in parallel with the high-side feedback resistor (Rup) to achieve this:

$$C_{FF} = \frac{1}{2 \times \pi \times F_{Z,FF} \times R_{UP}}$$

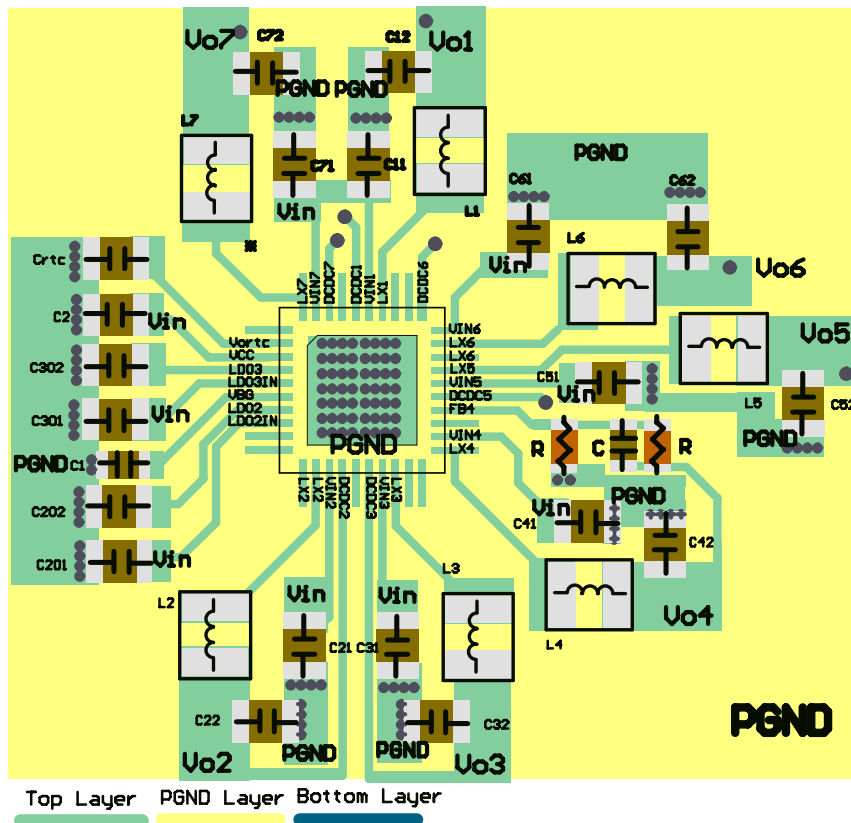
The feedforward capacitor Cff provides an ac coupling path between VOUT and the FB pin which reduces the output ripple. It is highly recommended to keep the Cff value in the range of 10pF.



## Layout guidelines

Careful printed circuit layout is extremely important to avoid causing parasitical capacitance and line inductance. The following layout guidelines are recommended to achieve optimum performance.

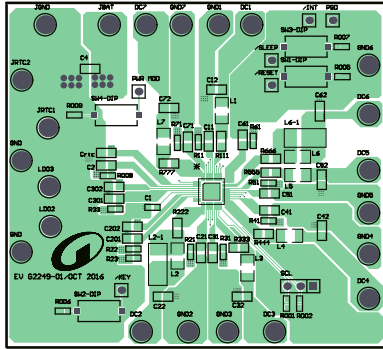
- Please the buck converter inductor close to the LX pin. Keep traces short, direct, and wide.
- Please ceramic bypass capacitors near the input/output pin.
- All feedback signal must first go through the regulator capacitors. Place feedback connection points near the output capacitors and minimize the control feedback loop as much as possible to achieve the best regulation performance.



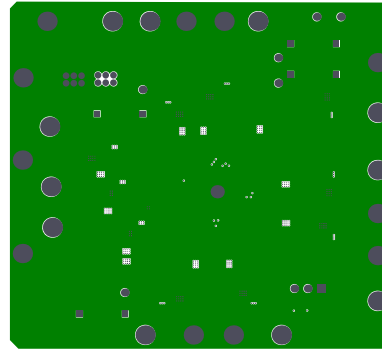


**PCB layout EVB Information**

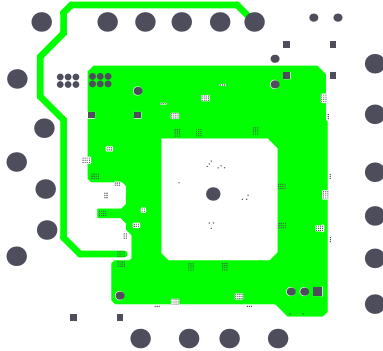
Top Layer



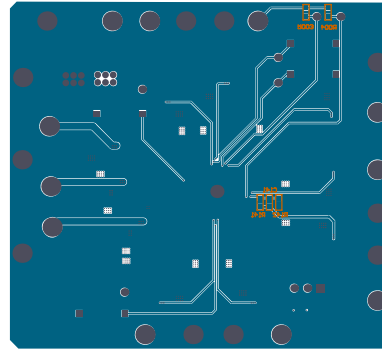
Mid-Layer 1(GND Plane)



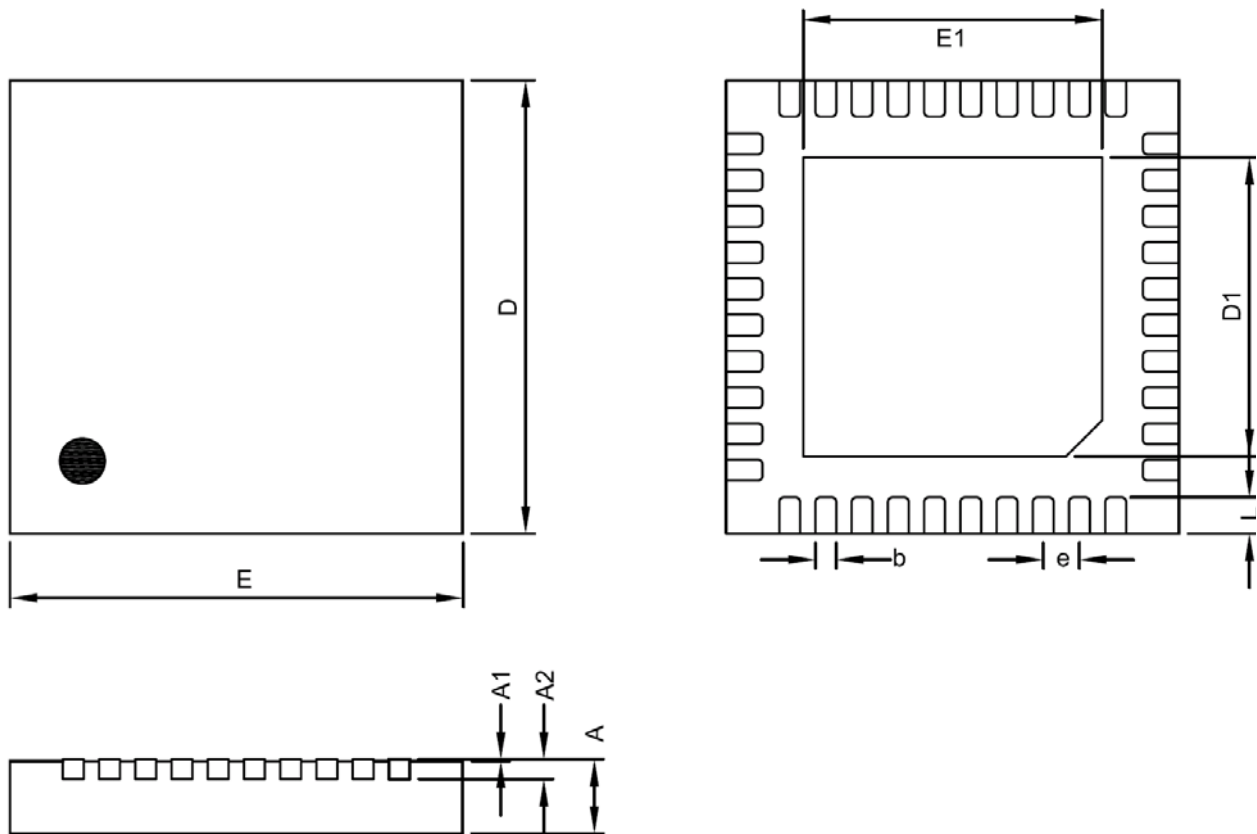
Mid-Layer 2



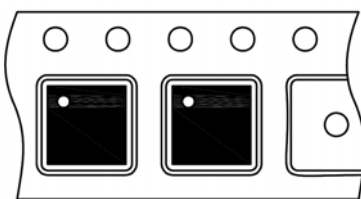
Bottom Layer



EV2249 PCB	Information
Board Material	FR4
Size	74mm×67mm
Board Thickness	1.6mm
Layers	4
Copper Thickness	2 oz.

**Package Information**

**TQFN5X5-40 Package**

Symbol	DIMENSION IN MM			DIMENSION IN INCH		
	MIN.	NOM.	MAX.	MIN.	NOM.	MAX.
A	0.70	0.75	0.80	0.0276	0.0295	0.0315
A1	0.00	---	0.05	0.0000	---	0.0020
A2	0.20 REF			0.0079 REF		
D	4.95	5.00	5.05	0.1949	0.1969	0.1988
E	4.95	5.00	5.05	0.1949	0.1969	0.1988
D1	3.20	3.30	3.40	0.1260	0.1299	0.1339
E1	3.20	3.30	3.40	0.1260	0.1299	0.1339
b	0.15	0.20	0.25	0.0059	0.0079	0.0098
e	0.40 BSC			0.0157 BSC		
L	0.35	0.40	0.45	0.0138	0.0157	0.0177

**Taping Specification**


Feed Direction

PACKAGE	Q'TY/REEL
TQFN5X5-40	3,000 ea

GMT Inc. does not assume any responsibility for use of any circuitry described, no circuit patent licenses are implied and GMT Inc. reserves the right at any time without notice to change said circuitry and specifications.

**Ver: 0.2**

May 03, 2018