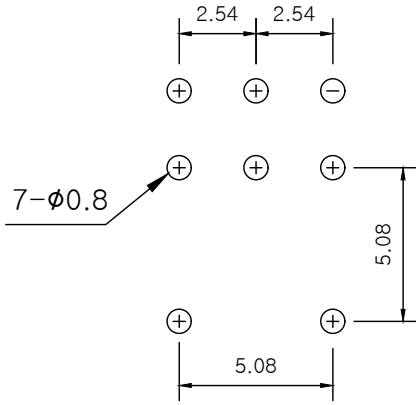
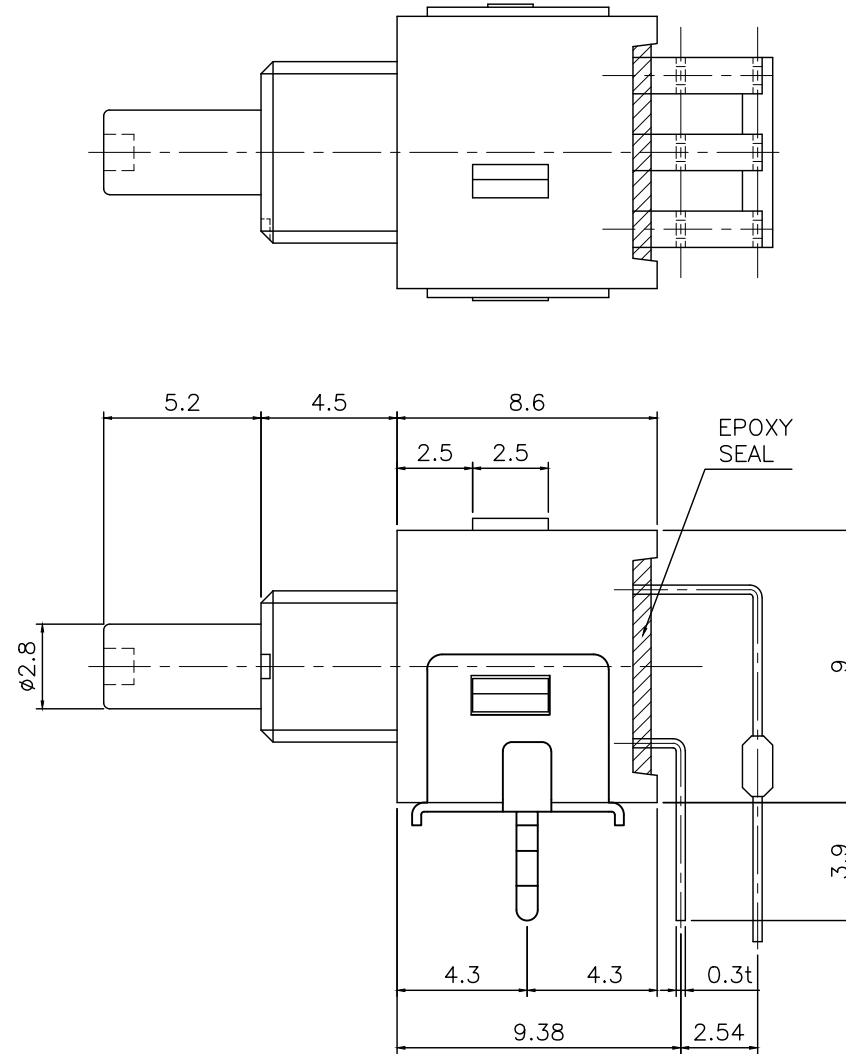
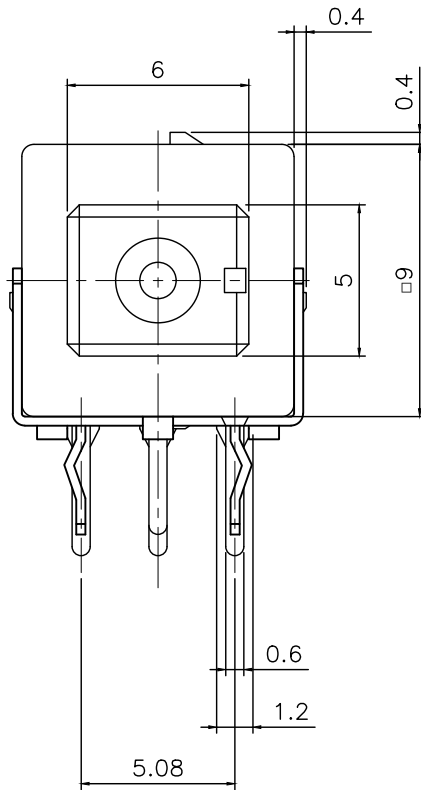


MRK.	DATE	REVISION	SIGN
△			



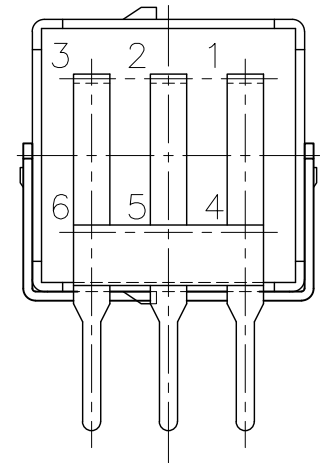
P.C.B DIMENSION



CIRCUIT

NORMAL	DOWN
ON	(ON)
2-3	1-2
5-6	4-5

( ):MOMENTARY



DRAW/DESIGNED	CHECKED	APPROVED	G.TOL	TITLE		
 2019-12-27			±0.05	SP-22SH LAYOUT		
			UNIT	SCALE	MODEL	SHEET
			mm	4:1	SP-22	
SUNGUN ELECTRONICS CO.,LTD			SIZE	DRAW NO.	SP-22SH	1/1
			A4			