

CAMERA MOD Optical Image Stabilizer for Mobile Phones

Lens Driver for Optical Image Stabilizer

BU63163GWL

General Description

The BU63163GWL is an IC that has a built-in PWM/BTL driver bridge 2.5ch. Low power consumption OIS function is achieved by using DSP method. Furthermore, PWM Frequency adjustment is enabled by built-in PLL, and, small area implementation for Camera Mod for mobile phones is supported by CSP.

Features

- Programmable DSP Control System
- 2wire and 4wire Serial Interface
- PWM/Analog BTL Driver for OIS Actuator X,Y Axis and Focus
- Support for Digital Gyroscope
- Variable Current Source (6bit) for Hall Sensor Drive
- Gain Adjustment for Hall Sensor
- 4 Levels Tunable Slew Rate for PWM Drive
- Clock Detection
- Thermal Shut Down (TSD), Under Voltage Locked Out (UVLO) and Over Current Protection (OCP)
- PLL Circuit
- LDO for Digital Voltage Source

Key Specifications

- Control Supply Voltage (AVDD): 2.7 to 3.6V
- Motor Supply Voltage (VM)
 - PWM driven: 2.3 to 4.8V
 - BTL driven: 1.75 to 4.8V
- Stand-by Current: 1uA(Max.)
- Operating Frequency: 27MHz(Typ.)
- H-bridge Output Current: 200mA(Max.)
- Output ON Resistance: 1.8Ω(Typ.)

Package

UCSP50L2 (Typ.) (Typ.) (Max.)
2.30mm x 2.30mm x 0.55mm

Application

- CAMERA MOD for Mobile Phones

Application Circuit

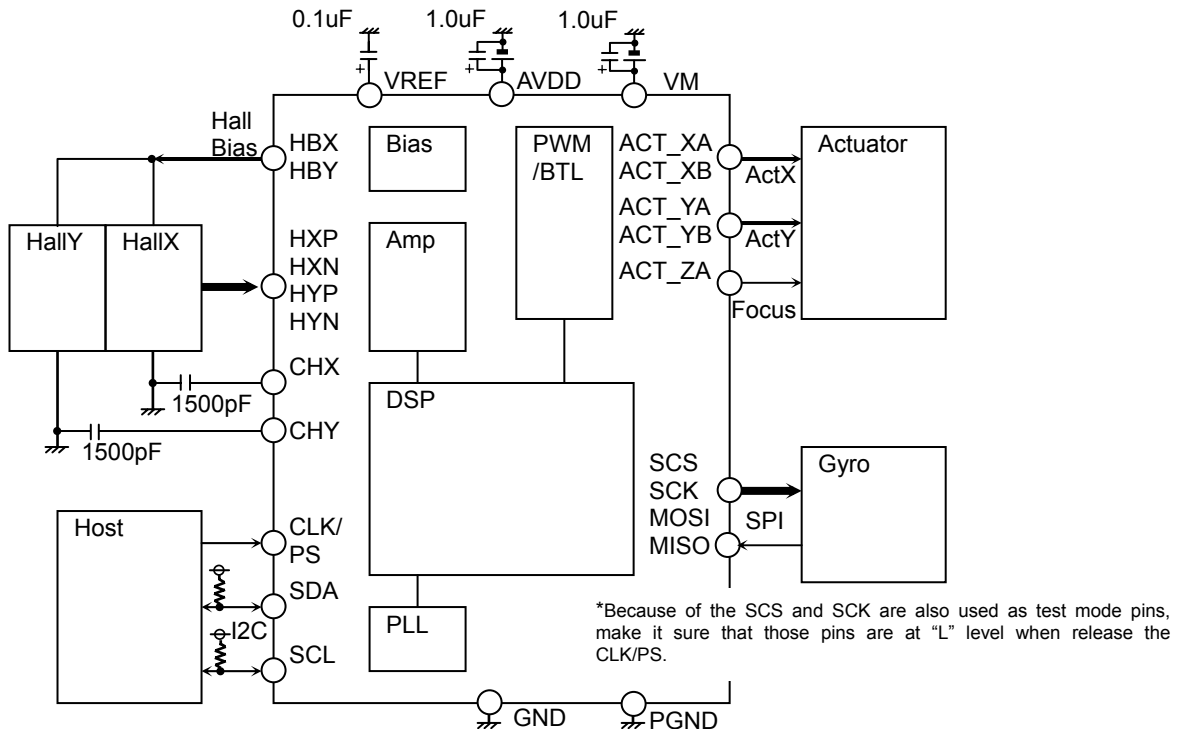


Figure 1. Application Diagram

Terminal Assignment [Bottom View]

	1	2	3	4	5
E	ACT_YA	ACT_YB	ACT_XA	ACT_XB	PGND
D	SCK	MISO	SCS	MOSI	VM
C	HXP	HXN	HYP	SCL	ACT_ZA
B	HBX	HBY	HYN	SDA	CLK/PS
A	CHX	CHY	VREF	AVDD	GND

Figure 2. Terminal Assignment

Terminal No. & Terminal Name

Terminal No.	Terminal Name	Function
A1	CHX	Capacitor Connection for X Axis Hall Sensor
A2	CHY	Capacitor Connection for Y Axis Hall Sensor
A3	VREF	Capacitor Connection for Internal Reference Voltage
A4	AVDD	Analog Power Supply Input
A5	GND	Ground Terminal
B1	HBX	Current source Output for X Axis Hall Sensor
B2	HBY	Current Source Output for Y Axis Hall Sensor
B3	HYN	Y Axis Hall Sensor Input -
B4	SDA	2wire Serial Data Input Output Pin
B5	CLK/PS	EXTCLK Terminal / Power Save Input
C1	HXP	X Axis Hall Sensor Input +
C2	HXN	X Axis Hall Sensor Input -
C3	HYP	Y Axis Hall Sensor Input +
C4	SCL	2wire Serial Clock Input Output Pin
C5	ACT_ZA	Current Output for Focus Driver
D1	SCK	4wire Serial Clock Output Pin
D2	MISO	4wire Serial Data Input Pin
D3	SCS	4wire Serial Chip Selection Output Pin
D4	MOSI	4wire Serial Data Output Pin
D5	VM	Motor Power Supply Input
E1	ACT_YA	Output for Y Axis Drive +
E2	ACT_YB	Output for Y Axis Drive -
E3	ACT_XA	Output for X Axis Drive +
E4	ACT_XB	Output for X Axis Drive -
E5	PGND	Motor Ground Terminal

Package Outline

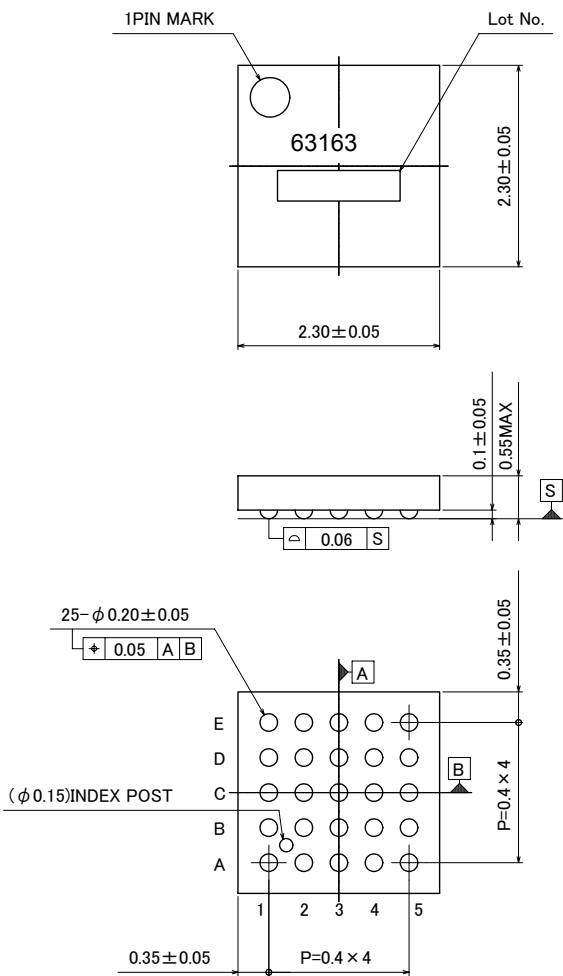


Figure 3. Package Outline (Unit:mm)

Block Diagram

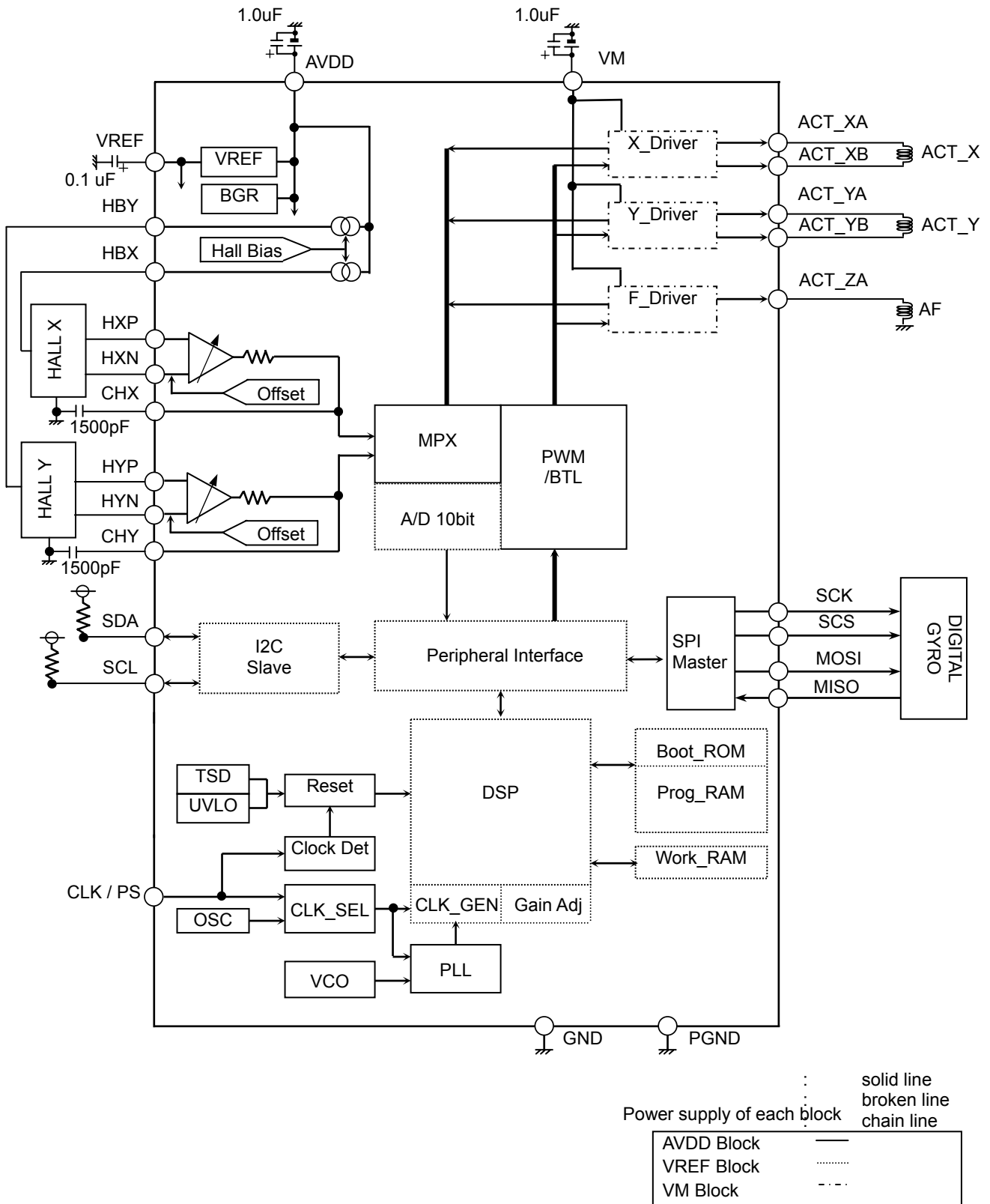


Figure 4. BU63163GWL Block Diagram

Absolute Maximum Ratings

Parameter	Symbol	Limit	Unit
Analog Supply Voltage	AVDD	-0.3 to +7.0	V
Motor Supply Voltage	VM	-0.3 to +7.0	V
Output Voltage	VOUT	-0.3 to +7.0	V
Control Input Voltage 1 (CLK/PS,MISO)	VIN1	-0.3 to +7.0	V
Control Input Voltage 2 (SCL,SDA)	VIN2	-0.3 to +7.0	V
Power Dissipation	Pd	810 *1	mW
Operating Temperature Range	Topr	-30 to +85	°C
Junction Temperature	Tjmax	+125	°C
Storage Temperature	Tstg	-50 to +125	°C
X/Y-axis Driver Output Current	IXY	-200 to +200 *2	mA/ch
Focus Driver Output Current	IFO	-200 to +200 *2	mA/ch
Motor Supply Current	IM	-600 to +600 *2	mA

*1 Reduced by 8.1m W/°C over 25°C, when mounted on a glass epoxy 8-layer board. (50mm×58mm×1.75mm)

*2 Do not exceed Pd, ASO, and Tjmax=125°C

Operating Conditions(Ta= -30 to +85°C)

Parameter	Symbol	Limit	Unit
Analog Supply Voltage	AVDD	2.7 to 3.6	V
Motor Supply Voltage	VM	2.3 to 4.8 *3	V
X/Y-axis Driver Output Current (max)	Iout1	±200 *4	mA/ch
Focus Driver Output Current (max)	Iout2	+100 *4	mA/ch
2wire Serial Interface Frequency	FSCl	0 to 400	kHz
CLK/PS Input Frequency	FCLK	4 to 30	MHz

*3 Operates until minimum of 1.75 V when BTL driven

*4 Do not exceed Pd, ASO, and Tjmax=125°C

Electrical Characteristics (Unless otherwise specified Ta=+25°C, VM=3.0V, AVDD=3.0V)

Parameter	Symbol	Limit			Unit	Conditions
		Min	Typ	Max		
Circuit current						
Stand-by Analog Current	IST_A	-	0	1	μA	PS=0V
Stand-by Driver Current	IST_M	-	0	1	μA	PS=0V
Analog Circuit Current	ICC_A	-	5.5	9.0	mA	PS=AVDD
Driver Circuit Current	ICC_M	-	0.2	0.4	mA	PS=AVDD
Control Input 1 (CLK/PS)						
High-level Input Voltage 1	VIH1	1.19	-	AVDD	V	
Low-level Input Voltage 1	VIL1	0	-	0.50	V	
High-level Input Current 1	I _{IH1}	20	30	40	μA	VIN1=3.0V
Low-level Input Current 1	I _{IL1}	-3	0	3	μA	VIN1=0V
Control Input 2 (SCL,SDA)						
High-level Input Voltage 2	VIH2	1.19	-	AVDD	V	
Low-level Input Voltage 2	VIL2	0	-	0.50	V	
Low-level Output Voltage 2	VOL2	0	-	0.40	V	IIN=+3.0mA
High-level Input Current 2	I _{IH2}	-3	0	3	μA	VIN2=1.8V
Low-level Input Current 2	I _{IL2}	-3	0	3	μA	VIN2=0V
Clock Detection						
Frequency of Detection	FIN	4	-	30	MHz	
Input Clock Duty Cycle	DCY	40	-	60	%	
UVLO						
UVLO Voltage	UVLO	2.30	-	2.65	V	

Electrical Characteristics (Unless otherwise specified Ta=+25°C, VM=3.0V, AVDD=3.0V)

Parameter	Symbol	Limit			Unit	Conditions
		Min	Typ	Max		
Driver of X/Y Axis						
Output ON Resistance	RONXY	-	1.8	-	Ω	Upper & Lower total
PWM Output Frequency	FPWM XY	-	500	-	kHz	CLK/PS =6.75MHz DIV_N=269d, DIV_M=1279d Ch*_FSEL=0d(*=X,Y)
BTL Voltage 1	VBTL XY1	-	1.5	-	V	VM=1.8V Ch*_DAT= 213d (*=X,Y)
BTL Voltage 2	VBTL XY2	-	0.3	-	V	VM=1.8V Ch*_DAT= 349d (*=X,Y)
Focus Driver						
Output ON Resistance	RONFO	-	1.8	-	Ω	Upper & Lower total
PWM Output Frequency	FPWM FO	-	500	-	kHz	CLK/PS =6.75MHz DIV_N=269d, DIV_M=1279d ChZ_FSEL=0d
BTL Voltage 1	VBTL FO1	-	1.5	-	V	VM=1.8V ChZ_DAT= 213d
BTL Voltage 2	VBTL FO2	-	0.3	-	V	VM=1.8V ChZ_DAT= 349d
Output Current	IOFO	92	100	108	mA	when set to 100mA
SPI terminal (SCK*5, SCS*5, MISO, MOSI)						
SCK Output Frequency	FSPI	6.08	6.75	7.43	MHz	When Divided by 4 (SPICK = 3d)
High-level Input Current	IIHS	20	30	40	μA	*5
Low-level Input Current	IILS	-3	0	3	μA	
High-level Input Voltage	VIHS	0.7*AVDD	-	AVDD	V	
Low-level Input Voltage	VILS	0	-	0.3*AVDD	V	
High-level Output Voltage	VOHS	0.8*AVDD	-	AVDD	V	
Low-level Output Voltage	VOLS	0	-	0.2*AVDD	V	

*5 SCS and SCK pins are pulled down by 12.5kΩ when CLK/PS=L.

Characteristics of the SDA and SCL Bus Lines for 2-wire Serial Interface
 (Unless otherwise specified Ta=25°C, VM=3.0V, AVDD=3.0V)

Parameter	Symbol	FAST-MODE*6			STANDARD-MODE*6			Unit
		Min	Typ	Max	Min	Typ	Max	
SCL clock frequency	fSCL	-	-	400	-	-	100	kHz
High Period of the SCL clock	tHIGH	0.6	-	-	4.0	-	-	µs
Low Period of SCL clock	tLOW	1.3	-	-	4.7	-	-	µs
Rise time of SDA / SCL	tR	-	-	0.3	-	-	1.0	µs
Fall time of SDA / SCL	tF	-	-	0.3	-	-	0.3	µs
Hold time (repeated) START condition	tHD:STA	0.6	-	-	4.0	-	-	µs
Setup time (repeated) START condition	tSU:STA	0.6	-	-	4.7	-	-	µs
Data hold time	tHD:DAT	0	-	0.9	0	-	3.45	µs
Data setup time	tSU:DAT	100	-	-	250	-	-	ns
Setup time for STOP condition	tSU:STO	0.6	-	-	4.0	-	-	µs
Bus free time between a STOP and START condition	tBUF	1.3	-	-	4.7	-	-	µs
Pulse width of spikes which must be suppressed by the input filter	tl	0	-	50	0	-	50	ns

*6 STANDARD-MODE and FAST-MODE 2-wire serial interface devices must be able to transmit or receive at that speed
 The maximum bit transfer rates of 100 kbit/s for STANDARD-MODE devices and 400 kbit/s for FAST-MODE devices
 This transfer rates is provided the maximum transfer rates, for example it is able to drive 100 kbit/s of clocks with FAST-MODE.

Definition of Timing on the 2-wire Serial Interface

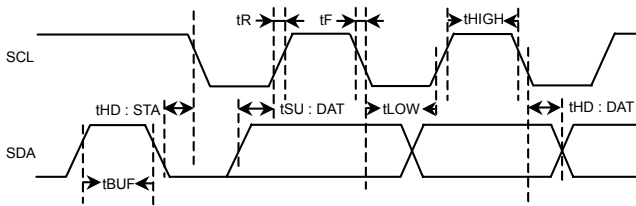


Figure 5. Definition of Timing for Serial Data

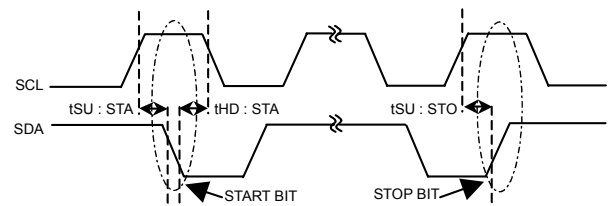
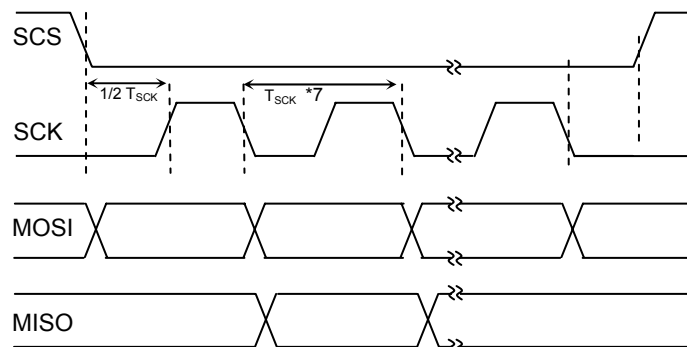


Figure 6. Definition of Timing for START and STOP bit

BU63163GWL have CLK STRETCHING, so I2C master should be corresponding.

Definition of Timing on the 4-wire Serial Interface



*7 TSCK is able to set 26kHz to 6.75MHz by register setting

Figure 7. Serial Data Timing

SCK polarity and data lines' rising/falling timing for SCK is configurable

Starting Timing Chart

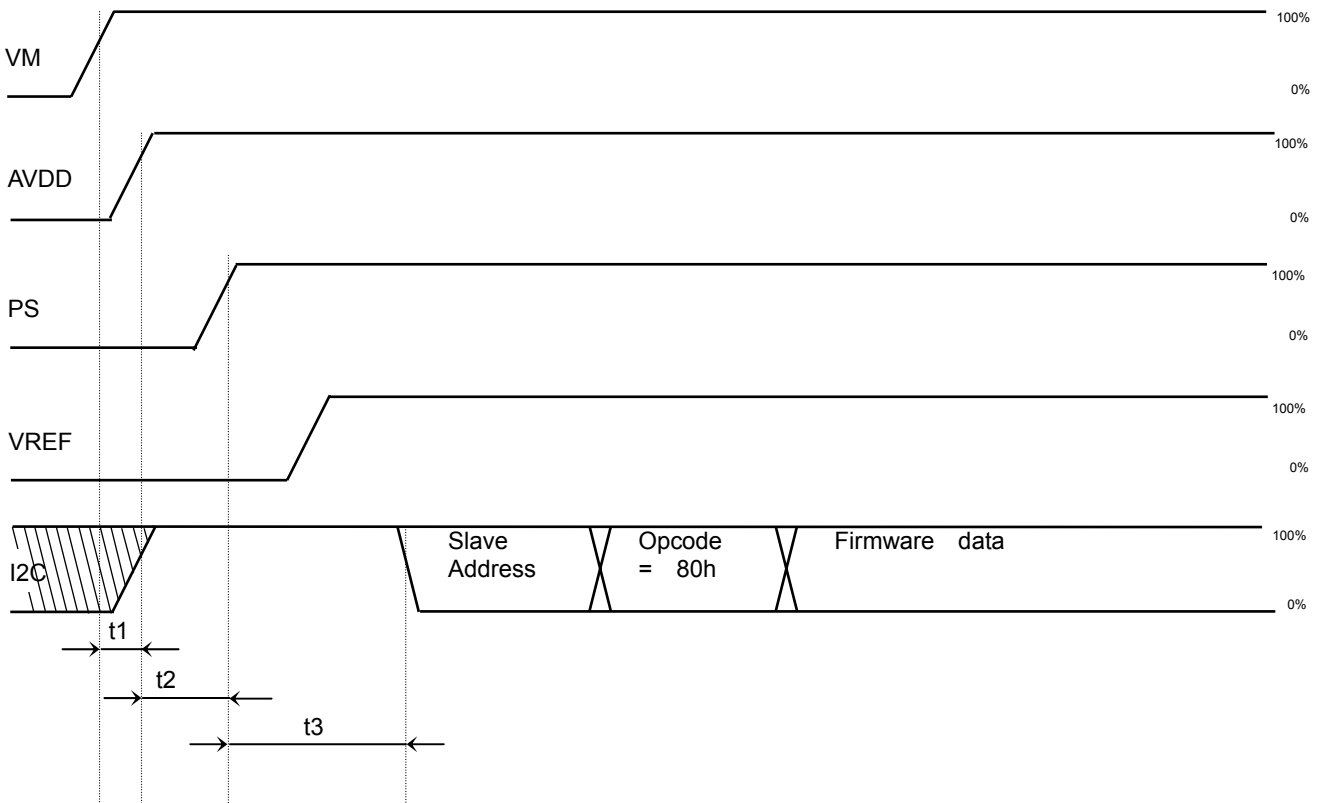


Figure 8. Start Sequence

Parameter	Symbol	MIN.	TYP.	MAX.	UNIT
Time from VM power supply to AVDD power supply	t1	0	-	-	μs
Time from AVDD power supply to PS release	t2	0	-	-	μs
Time from PS release to I2C input	t3	90	-	-	μs

To avoid current flow from the gyroscope to the BU63163GWL, be sure to set or tie the gyroscope power supply equal to AVDD and also start up both the gyroscope and BU63163GWL at the same time.

Memory Map

Peripheral Address Mapping

00h	Clock
07h	
08h	TRIANGLE
0Fh	
10h	I2C slave
17h	
18h	SPI master
1Fh	
20h	Monitor
27h	
28h	PWM
2Fh	
30h	A/D D/A
3Fh	
40h	reserved
5Fh	
60h	PLL
6Fh	
70h	reserved
FFh	

Figure 9. Peripheral Memory Map

Work Memory of RSP Address Mapping

00h	for X-axis
6Fh	Focus
70h	Work , status
7Fh	
80h	for Y-axis
EFh	
F0h	Work , status
FFh	

Figure 10. Work Memory Map

*Please refer to application note for details.

Structure of Download Program

	MSB b7 b0 LSB
+0	00h
+1	Checksum[15:8]
+2	Checksum[7:0]
+3	00h
+4	PRGSIZE[15:8]
+5	PRGSIZE[7:0]
+6	00h
+7	Program+N-1[15:8]
+8	Program+N-1[7:0]
+9	Program+N-1[23:16]

+3*(N-2)+4	Program+2[15:8]
+3*(N-2)+5	Program+2[7:0]
+3*(N-2)+6	Program+2[23:16]
+3*(N-1)+4	Program+1[15:8]
+3*(N-1)+5	Program+1[7:0]
+3*(N-1)+6	Program+1[23:16]
+3*N+4	Program+0[15:8]
+3*N+5	Program+0[7:0]
+3*N+6	Program+0[23:16]

Figure 11. Format of Program Download

Checksum --> $Checksum@Initial = 0x535A$
 $Checksum \wedge = \{ 8'b0, Program+n[23:16] \} \wedge Program+n[15:0]$

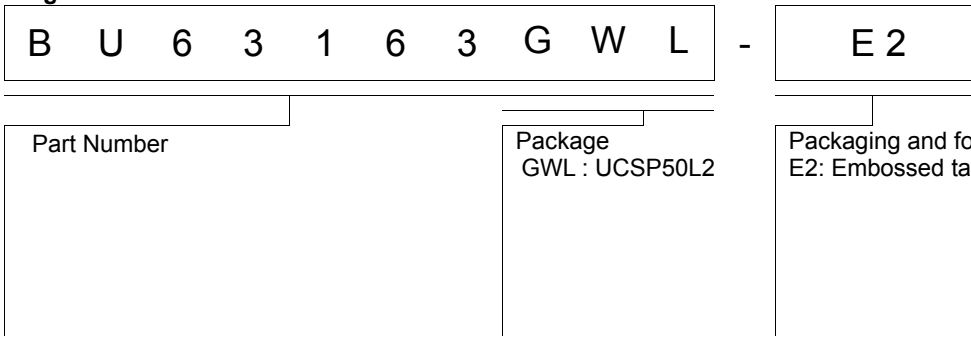
PRGSIZE --> N-1 (example of above)

Operational Notes

- 1) Absolute maximum ratings
Use of the IC in excess of absolute maximum ratings such as the applied voltage or operating temperature range (Topr) may result in IC damage. Assumptions should not be made regarding the state of the IC (short mode or open mode) when such damage is suffered. The implementation of a physical safety measure such as a fuse should be considered when use of the IC in a special mode where the absolute maximum ratings may be exceeded is anticipated.
- 2) Power supply terminals and lines
The VM power supply line for the H-bridge is not internally connected to the AVDD analog power supply line. Therefore, the VM, and AVDD lines can be driven at different voltages. Although these lines can be connected to a common power supply, do not open the power supply pin but connect it to the power supply externally.
Regenerated current may flow as a result of the motor's back electromotive force. Insert capacitors between the power supply and ground terminals to serve as a route for regenerated current. Determine the capacitance in full consideration of all the characteristics of the electrolytic capacitor, because the electrolytic capacitor may lose some capacitance at low temperatures. If the connected power supply does not have sufficient current absorption capacity, regenerative current will cause the voltage on the power supply line to rise, which combined with the product and its peripheral circuitry may exceed the absolute maximum ratings. It is recommended to implement a physical safety measure such as the insertion of a voltage clamp diode between the power supply and ground terminals.
For this IC with 2 power supplies and a part consists of the CMOS block, it is possible that rush current may flow instantaneously due to the internal powering sequence and delays, and to the unstable internal logic, respectively. Therefore, give special consideration to power coupling capacitance, width of power and ground wirings, and routing of wiring.
- 3) Ground terminals and lines
Ensure a minimum GND terminal potential in all operating conditions. Make sure that no terminals are at a voltage below the GND at any time, regardless of whether it is a transient signal or not.
The motor ground PGND and the small signal ground GND are not internally connected to each other. When using both small signal GND and large current PGND patterns, it is recommended to isolate the two ground patterns, placing a single ground point at the application's reference point so that the pattern wiring resistance and voltage variations caused by large currents do not cause variations in the small signal ground voltage. Be careful not to change the GND wiring pattern of any external components, either.
- 4) Thermal design
Use a thermal design that allows for a sufficient margin regarding the power dissipation (Pd) in actual operating conditions.
- 5) Operating in strong electromagnetic field
Use caution when using the IC in the presence of a strong electromagnetic field as doing so may cause the IC to malfunction.
- 6) ASO
When using the IC, set the output transistor for the motor so that it does not exceed absolute maximum ratings or ASO.
- 7) Thermal shutdown circuit
This IC incorporates a TSD (thermal shutdown) circuit. If the temperature of the chip reaches the following temperature, the motor output will be opened. The TSD circuit is designed only to shut the IC off to prevent runaway thermal operation. It is not designed to protect the IC or guarantee its operation. Do not continue to use the IC after operating this circuit or use the IC in an environment where the operation of this circuit is assumed.

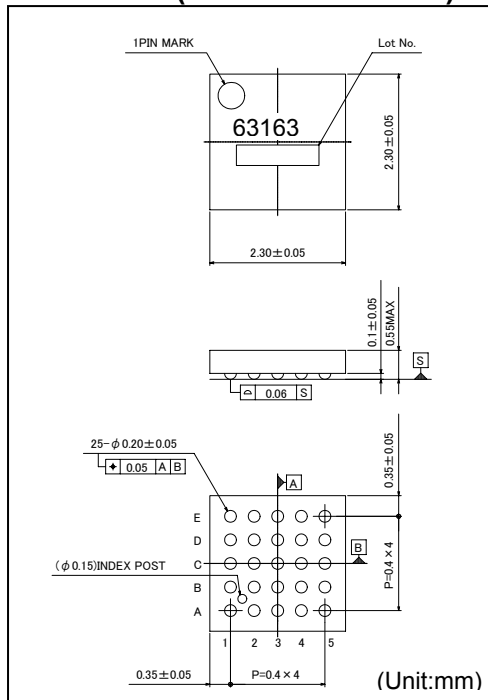
TSD ON temperature °C (Typ.)	Hysteresis temperature °C (Typ.)
150	25
- 8) Application example
Although the application circuit is recommended for use, make sure to confirm the adequacy of the characteristics. When using the circuit with changes to the external circuit constants, make sure to leave an adequate margin for external components including static and transitional characteristics as well as dispersion of the IC.

Ordering Information



Physical Dimension Tape and Reel Information

UCSP50L2(BU63163GWL-E2)



<Tape and Reel information>

Tape	Embossed carrier tape
Quantity	3,000pcs
Direction of feed	E2 (The direction is the 1pin of product is at the upper left when you hold reel on the left hand and you pull out the tape on the right hand.)

*Order quantity needs to be multiple of the minimum

Notice

Precaution on using ROHM Products

- Our Products are designed and manufactured for application in ordinary electronic equipments (such as AV equipment, OA equipment, telecommunication equipment, home electronic appliances, amusement equipment, etc.). If you intend to use our Products in devices requiring extremely high reliability (such as medical equipment ^(Note 1), transport equipment, traffic equipment, aircraft/spacecraft, nuclear power controllers, fuel controllers, car equipment including car accessories, safety devices, etc.) and whose malfunction or failure may cause loss of human life, bodily injury or serious damage to property ("Specific Applications"), please consult with the ROHM sales representative in advance. Unless otherwise agreed in writing by ROHM in advance, ROHM shall not be in any way responsible or liable for any damages, expenses or losses incurred by you or third parties arising from the use of any ROHM's Products for Specific Applications.

(Note1) Medical Equipment Classification of the Specific Applications

JAPAN	USA	EU	CHINA
CLASS III	CLASS III	CLASS II b	CLASS III
CLASS IV		CLASS III	

- ROHM designs and manufactures its Products subject to strict quality control system. However, semiconductor products can fail or malfunction at a certain rate. Please be sure to implement, at your own responsibilities, adequate safety measures including but not limited to fail-safe design against the physical injury, damage to any property, which a failure or malfunction of our Products may cause. The following are examples of safety measures:
 - Installation of protection circuits or other protective devices to improve system safety
 - Installation of redundant circuits to reduce the impact of single or multiple circuit failure
- Our Products are designed and manufactured for use under standard conditions and not under any special or extraordinary environments or conditions, as exemplified below. Accordingly, ROHM shall not be in any way responsible or liable for any damages, expenses or losses arising from the use of any ROHM's Products under any special or extraordinary environments or conditions. If you intend to use our Products under any special or extraordinary environments or conditions (as exemplified below), your independent verification and confirmation of product performance, reliability, etc. prior to use, must be necessary:
 - Use of our Products in any types of liquid, including water, oils, chemicals, and organic solvents
 - Use of our Products outdoors or in places where the Products are exposed to direct sunlight or dust
 - Use of our Products in places where the Products are exposed to sea wind or corrosive gases, including Cl₂, H₂S, NH₃, SO₂, and NO₂
 - Use of our Products in places where the Products are exposed to static electricity or electromagnetic waves
 - Use of our Products in proximity to heat-producing components, plastic cords, or other flammable items
 - Sealing or coating our Products with resin or other coating materials
 - Use of our Products without cleaning residue of flux (even if you use no-clean type fluxes, cleaning residue of flux is recommended); or Washing our Products by using water or water-soluble cleaning agents for cleaning residue after soldering
 - Use of the Products in places subject to dew condensation
- The Products are not subject to radiation-proof design.
- Please verify and confirm characteristics of the final or mounted products in using the Products.
- In particular, if a transient load (a large amount of load applied in a short period of time, such as pulse. is applied, confirmation of performance characteristics after on-board mounting is strongly recommended. Avoid applying power exceeding normal rated power; exceeding the power rating under steady-state loading condition may negatively affect product performance and reliability.
- De-rate Power Dissipation (Pd) depending on Ambient temperature (Ta). When used in sealed area, confirm the actual ambient temperature.
- Confirm that operation temperature is within the specified range described in the product specification.
- ROHM shall not be in any way responsible or liable for failure induced under deviant condition from what is defined in this document.

Precaution for Mounting / Circuit board design

- When a highly active halogenous (chlorine, bromine, etc.) flux is used, the residue of flux may negatively affect product performance and reliability.
- In principle, the reflow soldering method must be used; if flow soldering method is preferred, please consult with the ROHM representative in advance.

For details, please refer to ROHM Mounting specification

Precautions Regarding Application Examples and External Circuits

1. If change is made to the constant of an external circuit, please allow a sufficient margin considering variations of the characteristics of the Products and external components, including transient characteristics, as well as static characteristics.
2. You agree that application notes, reference designs, and associated data and information contained in this document are presented only as guidance for Products use. Therefore, in case you use such information, you are solely responsible for it and you must exercise your own independent verification and judgment in the use of such information contained in this document. ROHM shall not be in any way responsible or liable for any damages, expenses or losses incurred by you or third parties arising from the use of such information.

Precaution for Electrostatic

This Product is electrostatic sensitive product, which may be damaged due to electrostatic discharge. Please take proper caution in your manufacturing process and storage so that voltage exceeding the Products maximum rating will not be applied to Products. Please take special care under dry condition (e.g. Grounding of human body / equipment / solder iron, isolation from charged objects, setting of Ionizer, friction prevention and temperature / humidity control).

Precaution for Storage / Transportation

1. Product performance and soldered connections may deteriorate if the Products are stored in the places where:
 - [a] the Products are exposed to sea winds or corrosive gases, including Cl₂, H₂S, NH₃, SO₂, and NO₂
 - [b] the temperature or humidity exceeds those recommended by ROHM
 - [c] the Products are exposed to direct sunshine or condensation
 - [d] the Products are exposed to high Electrostatic
2. Even under ROHM recommended storage condition, solderability of products out of recommended storage time period may be degraded. It is strongly recommended to confirm solderability before using Products of which storage time is exceeding the recommended storage time period.
3. Store / transport cartons in the correct direction, which is indicated on a carton with a symbol. Otherwise bent leads may occur due to excessive stress applied when dropping of a carton.
4. Use Products within the specified time after opening a humidity barrier bag. Baking is required before using Products of which storage time is exceeding the recommended storage time period.

Precaution for Product Label

QR code printed on ROHM Products label is for ROHM's internal use only.

Precaution for Disposition

When disposing Products please dispose them properly using an authorized industry waste company.

Precaution for Foreign Exchange and Foreign Trade act

Since our Products might fall under controlled goods prescribed by the applicable foreign exchange and foreign trade act, please consult with ROHM representative in case of export.

Precaution Regarding Intellectual Property Rights

1. All information and data including but not limited to application example contained in this document is for reference only. ROHM does not warrant that foregoing information or data will not infringe any intellectual property rights or any other rights of any third party regarding such information or data. ROHM shall not be in any way responsible or liable for infringement of any intellectual property rights or other damages arising from use of such information or data.:
2. No license, expressly or implied, is granted hereby under any intellectual property rights or other rights of ROHM or any third parties with respect to the information contained in this document.

Other Precaution

1. This document may not be reprinted or reproduced, in whole or in part, without prior written consent of ROHM.
2. The Products may not be disassembled, converted, modified, reproduced or otherwise changed without prior written consent of ROHM.
3. In no event shall you use in any way whatsoever the Products and the related technical information contained in the Products or this document for any military purposes, including but not limited to, the development of mass-destruction weapons.
4. The proper names of companies or products described in this document are trademarks or registered trademarks of ROHM, its affiliated companies or third parties.