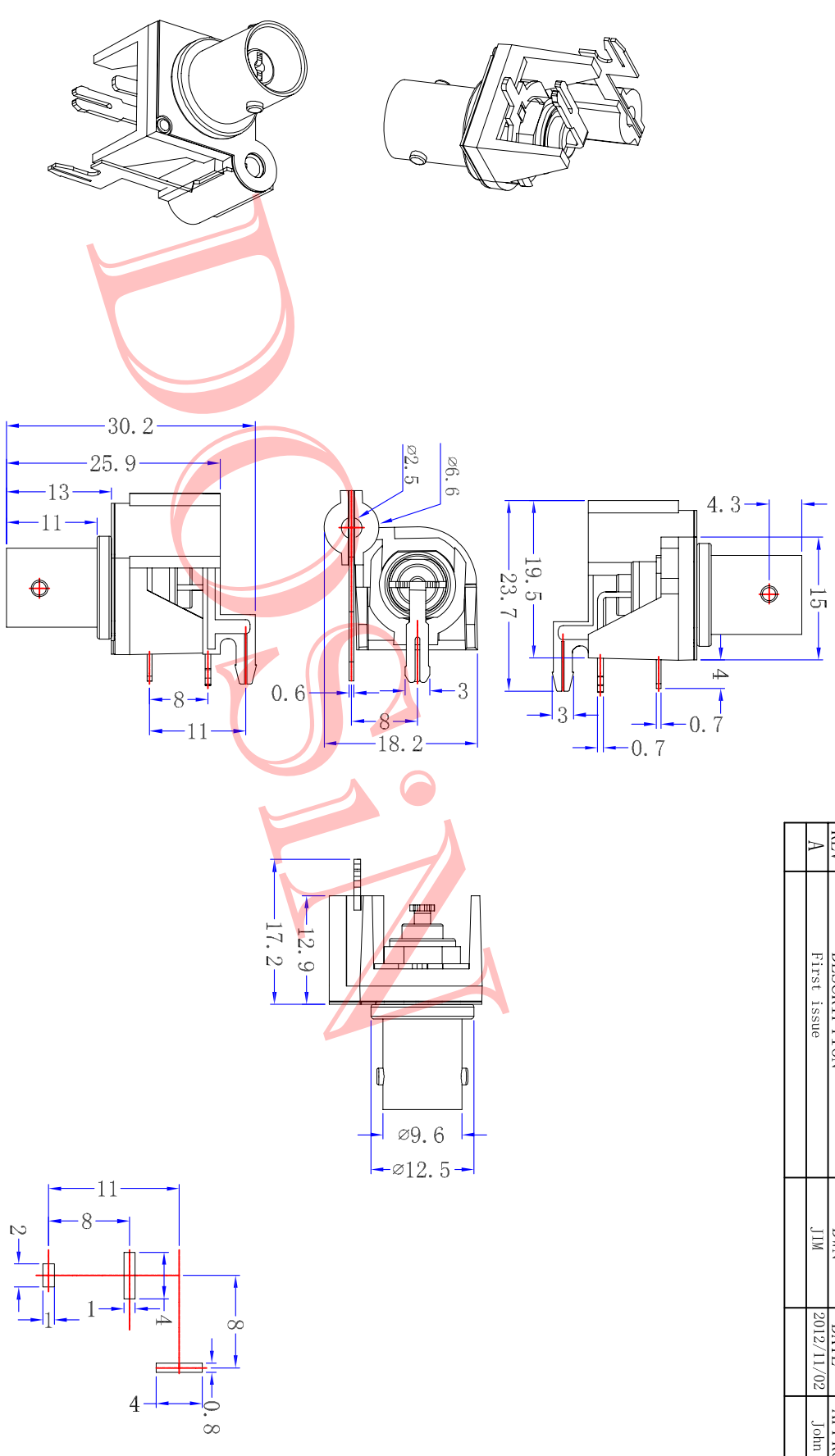




Product NO.		DOSIN-801-0001-1		
REV	DESCRIPTION	DWN	DATE	APPROVEN
A	First Issue	JJM	2012/11/02	John kime



NOTE:

6	Insulator	POM	WHITE	1	DRAWN Zelin Zhang 2012/11/10 CHECKED APPROVALS John Kime 19/04/2012	Tolerance	0-6 6-30 30-120 Angular	$\pm 0.05$ $\pm 0.10$ $\pm 0.20$ $\pm 2^\circ$
5	Solder column	Iron	NICKEL	1		View	MM	1:1
4	IRON PLATES	Iron	NICKEL	1		UNIT	MM	1:1
3	PANEL	ABS	BLACK	1		SCALE	MM	1:1
2	PIN	BRASS	NICKEL	1		UNIT	MM	1:1
1	BODY	ZINC	NICKEL	1		SCALE	MM	1:1
NO	DESCRIPTION	MATERIAL	FINISH	QTY	Name: BNC 1x1 CONNECTOR SIZE A Product NO. DOSIN-801-0001-1 Date/Time 2012/11/02 CAD FILE D:/company drawings/BD SHEET: 1 OF 1			

**DOSIN** Dongsin Industrial(H.K)Co.Ltd  
 东莞市德奈五金电子有限公司  
 Dosin Hardware Electronics Co.,Ltd  
 E-mail: dosin2005@163.com  
 dosin2005@dosing-china.com  
 Web: http://www.dosing.com  
 TEL: (0086)769-81153906  
 FAX: (0086)769-81875836