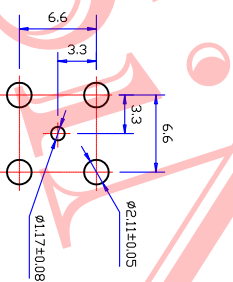
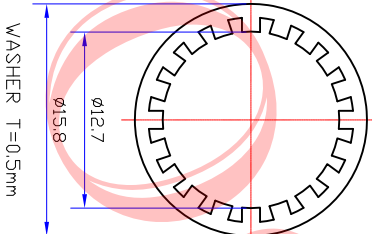
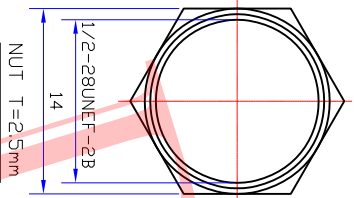
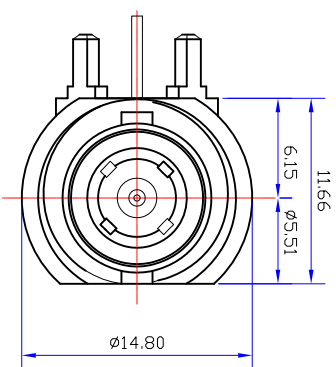
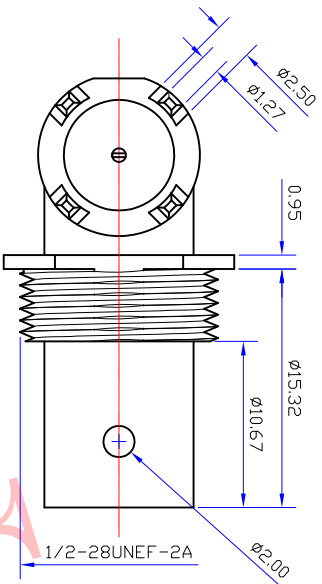
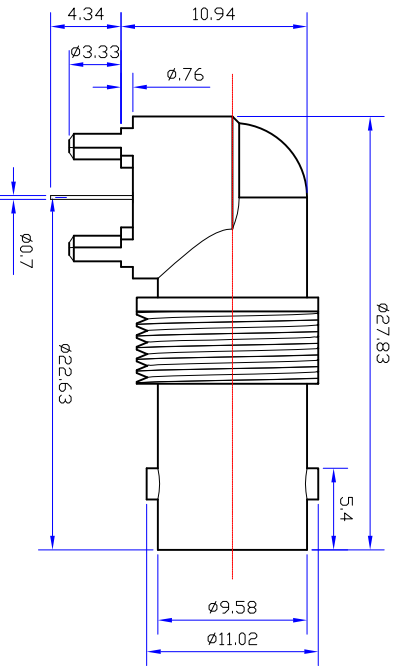
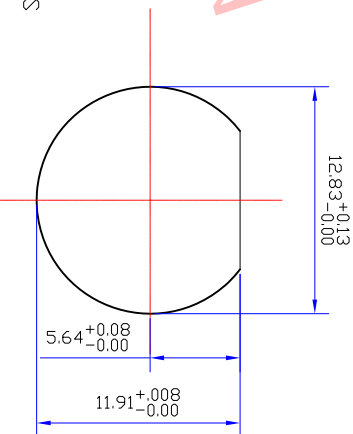




Product NO.		DOSIN-801-0083		
REV	DESCRIPTION	DWN	DATE	APPROVEN
A	First Issue	JIM	2013/06/18	John kine



PCB HOLE CONFIGURATION
RECOMMENDED PANEL CUTOUTS



Specifications

Impedance: 75 Ohms
Frequency Range: DC~3G
VSWR: 1.3MAX
Working Voltage: 500V rms @ sea level
Insulation Resistance: 5000 Ohms min
Temperature Range: -55°C T0 +155°C
Relative Temperature: ≤95% (40°C ±2°C)
Drawings products are in line with ROHS standards

NOTE:

DRAWN	2013/06/18	Tolerance	0-6 6-30 30-120	±0.15 ±0.20 ±0.5
CHECKED		View	Angul ar	±2°
UNIT		MM		
SCALE		1:1		

DOSIN
Doshin Industrial(H.K.)Co.Ltd
东莞市德奈五金电子有限公司
Doshin Hardware Electronics Co.,Ltd
E-mail:doshin2005@163.com
doshin2005@doshin-china.com
Web:http://www.doshin.com.com
TEL:(0086) 769-81153906
FAX:(0086) 769-81875836

Name: BNC CONNECTOR DNN

SIZE A Product NO. DOSIN-801-0083

Date/Time 2013/06/18 CAD FILE D/company drawings/BD SHEET: 1 OF 1

5	WASHER	IRON	PLATED NICKEL	1
4	NUT	BRASS	PLATED NICKEL	1
3	INSULATOR	PDM	WHITE	1
2	CENTER CONTACT	BRASS	GOLD 1-1.5 U"	1
1	BODY	ZINC ALLOY	PLATED NICKEL	1
ND	DESCRIPTION	MATERIAL	FINISH	QTY

A

A

B

C

D

E

F

G

A

A

B

B

C

C

D

D

E

E

F

F

G

G