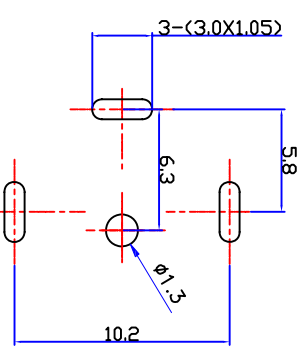
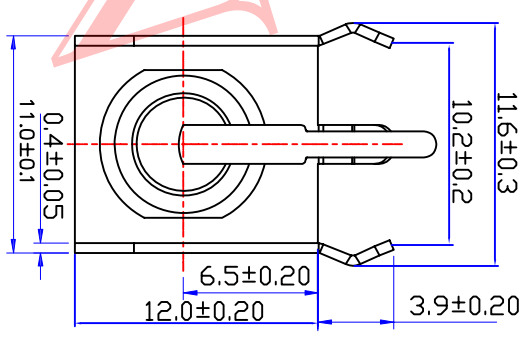
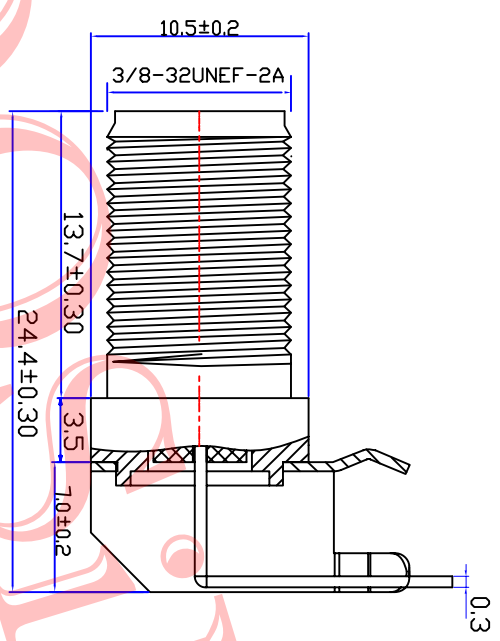
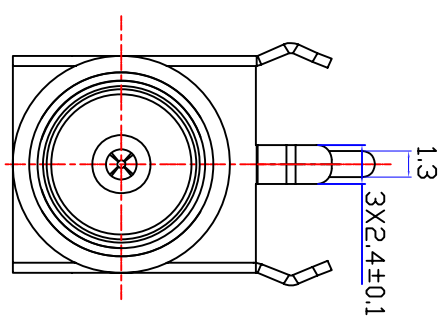
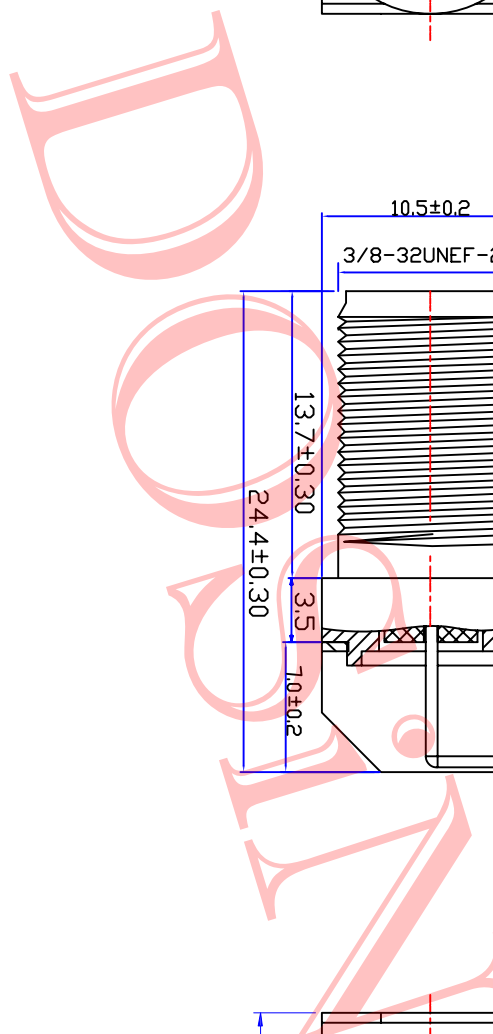




Product NO.		DOSIN-803-0007		
REV	DESCRIPTION	DWN	DATE	APPROVEN
A	First Issue	JIM	2010/02/03	John kime



Recommended P.C.B. Layouer



Specification:

VSRR: 1.3MAX
 Frequency range:DC~36
 Working Voltage:500V rms @ sea level
 Insulation resistance:5000 Ohms min
 Temperature range:-55°C T0 +155°C
 Relative temperature:≤95%(40° C±2° C)
 Drawings products are in line with ROHS standards.

1	BODY-00001-NI-0	Brass	NICKEL	1	NOTE:
2	PIN-00001-0	Brass	Tin plating	1	
3	Insulator-00001-0	PP		1	
4	Fixed foot	Iron plates	NICKEL	1	
5					
6					
7					
8					
9					
10					
NO	Component Number	Material	Finish	QTY	

APPROVALS		DATE	
CHECKED	Zelin Zhang	19/04/2012	10
DRAWN		2012/04/10	
Tolerance		View	
0-6	±0.2	30-120	±0.3
6-30	±0.3	Anglar	±0.5
30-120	±0.5		±2°
UNIT		SCALE	
MM		1:1	

Name:		F CONNECTOR	
SIZE	Product NO.	CAD FILE	REV
A	DOSIN-803-0007	D/company drawings/BD	B
Date/Time		SHEET: 1 OF 1	
2012/04/10			

Product NO.		DOSIN-803-0007		
REV	DESCRIPTION	DWN	DATE	APPROVEN
A	First Issue	JIM	2010/02/03	John kime

DOSIN Dosin Industrial(H.K)Co.Ltd
 东莞市德奈五金电子有限公司
 Dosin Hardware Electronics Co.,Ltd
 E-mail: dosin2005@163.com
 dosin2005@dosing.com
 dosin2005@dosin-china.com
 Web: http://www.china-guan.com
 TEL: (0086)769-81153906
 FAX: (0086)769-81875836