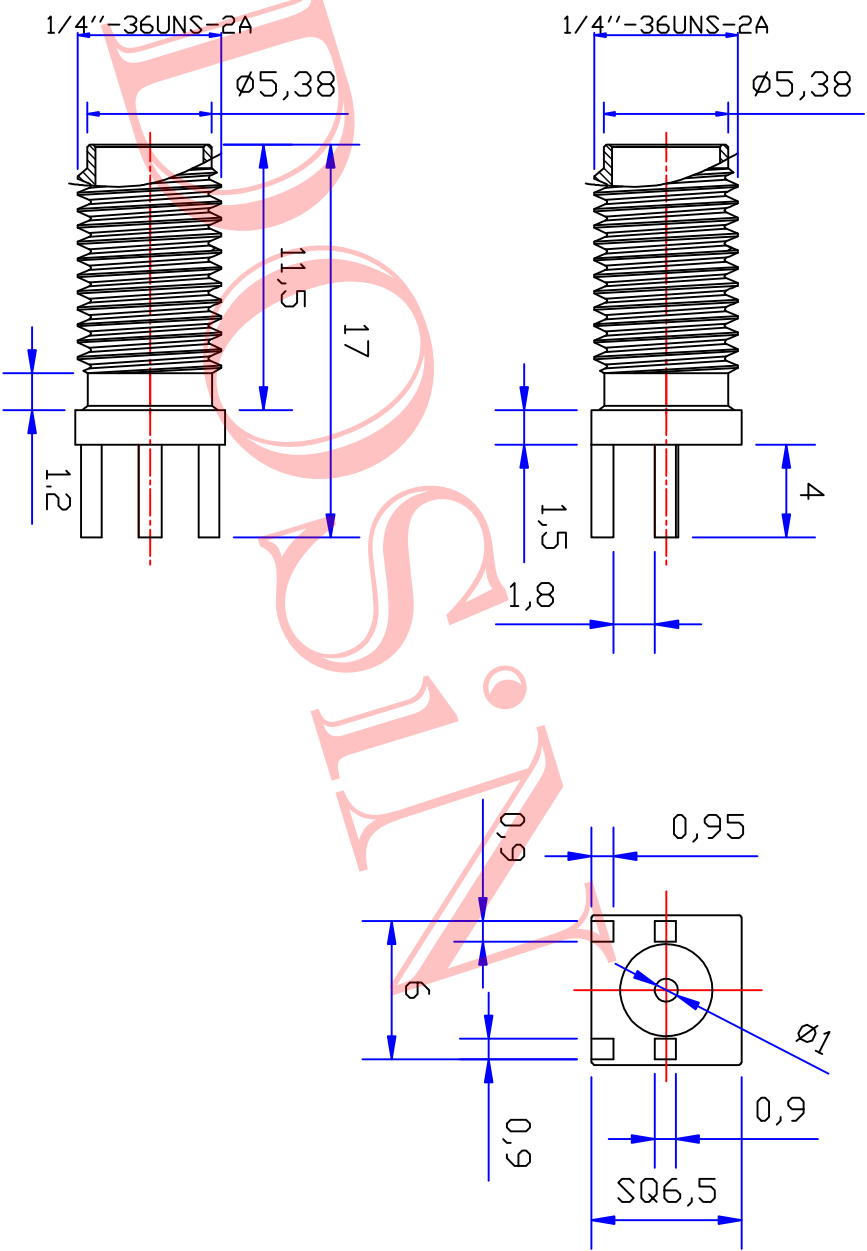




Product NO.		DOSIN-806-0111	
REV	DESCRIPTION	DWN	DATE
A	First Issue	Mr. Kang	2015/08/07
B			
		APPROVEN	John Kline



1	Body	Brass	GOLD:1-1.6U"	NOTE:					
2	Insulator	TEFLON	White						
3	Center contact	Phosphor	Au:3u"						
4				DRAWN					
5				Ze Jin Zhang					
6				CHECKED					
7									
8									
9									
10	Component Number	Material	Finish	APPROVALS	SCALE	UNIT	MM	1:1	REV A
A				<i>John Kline</i>					

DOSIN *Dosin Industrial (HK) Co Ltd* E-mail: dosin2006@163.com
 东莞市松山湖五金电子有限公司 Web: http://www.dosin.com.cn
Dosin Hardware Electronics Co, Ltd TEL: (0086) 769-81153906
 Name: SMA RP JACK FOR PCB FAX: (0086) 769-81878836

SIZE A Product NO. DOSIN-806-0111
 Date/Time 2015/08/07 CAD FILE H/company drawings/BD
 SHEET: 1 OF 1