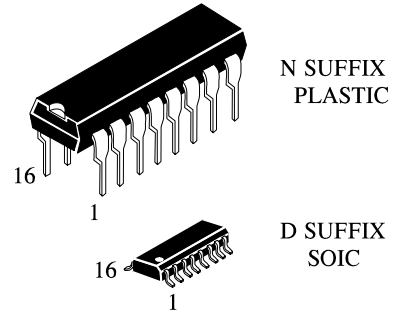


## Interface transceiver of RS-232 standard with one supply voltage

IC MAX232 is purposed for application in high-performance information processing systems and control devices of wide application.

Input voltage levels are compatible with standard CMOS levels.

- Output voltage levels are compatible with input levels of C-MOS, N-MOS and TTL integrated circuits.
- Supply voltage range from 2.0 to 6.0 V.
- Low input current: 1.0 mA; 0.1 mA at T = 25 °C.
- Output current 24 mA.
- Latching current not less than 450 mA at T = 25°C
- Tolerable value of static potential not less than 2000V



### IC marking in package

MAX232N Plastic DIP

MAX232D SOIC

T<sub>A</sub> = from -40 to 85 °C

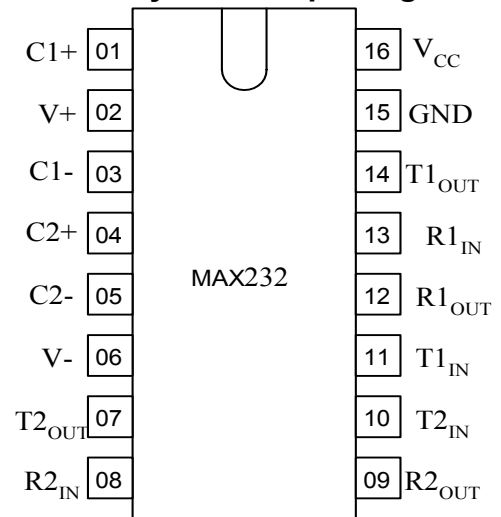
For all packages

### Truth table

Inputs	Outputs
R <sub>IN</sub> , T <sub>IN</sub>	R <sub>OVT</sub> , T <sub>OVT</sub>
H	L
L	H

Note -  
H – voltage high level;  
L – low voltage level

### Pin symbols in package



**Table of pin description**

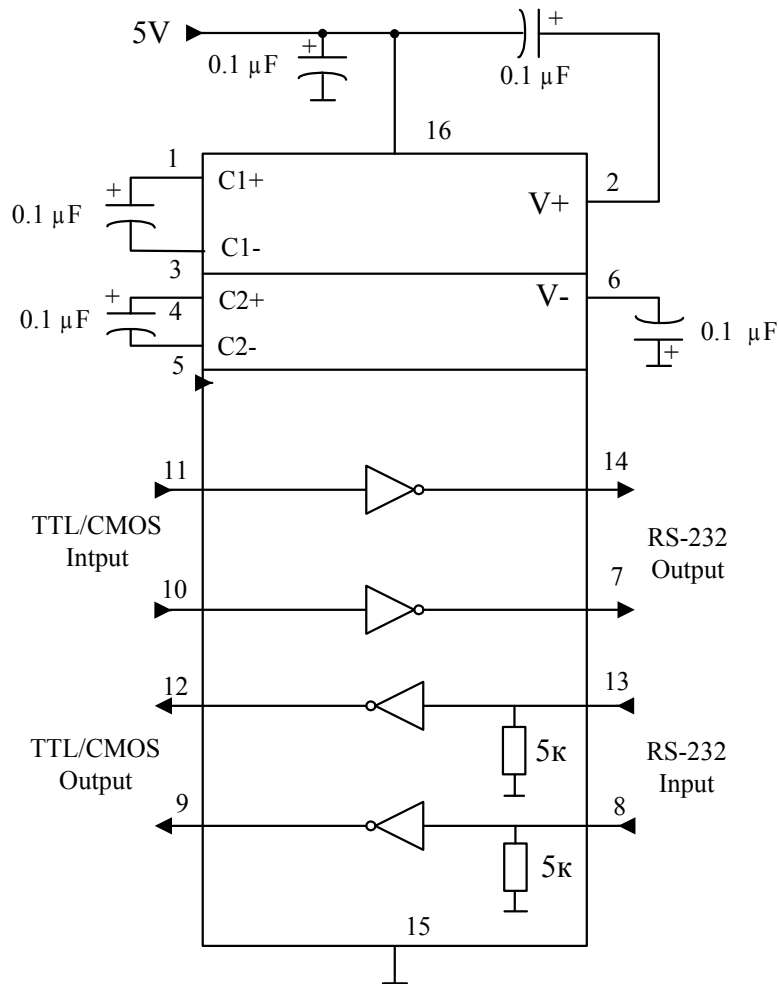
Pin No.	Symbol	Pin name
01	C1+	Output of external capacitance of positive voltage multiplier unit
02	V+	Output of positive voltage of multiplier unit
03	C1-	Output of external capacitance of positive voltage multiplier unit
04	C2+	Output of external capacitance of negative voltage multiplier unit
05	C2-	Output of external capacitance of negative voltage multiplier unit
06	V-	Output of negative voltage of multiplier unit
07	T2 <sub>OUT</sub>	Output of transmitter data (levels RS – 232)
08	R2 <sub>IN</sub>	Input of receiver data (levels RS – 232)
09	R2 <sub>OUT</sub>	Output of receiver data (levels TTL/KMOS)
10	T2 <sub>IN</sub>	Input of transmitter data (levels TTL/KMOS)
11	T1 <sub>IN</sub>	Input of transmitter data (levels TTL/KMOS)
12	R1 <sub>OUT</sub>	Output of receiver data (levels TTL/KMOS)
13	R1 <sub>IN</sub>	Input of receiver data (levels RS – 232)
14	T1 <sub>OUT</sub>	Output of transmitter data (levels RS – 232)
15	GND	Common output
16	V <sub>CC</sub>	Supply output of voltage source

**Maximum conditions**

Symbol	Parameter	Rate		Unit
		min	max	
V <sub>CC</sub>	Supply voltage	-0.3	6.0	V
V+	Transmitter high output voltage	V <sub>CC</sub> - 0.3	14	
V-	Transmitter low output voltage	-0.3	-14	
V <sub>TIN</sub>	Transmitter input voltage	-0.3	V+ + 0.3	
V <sub>RIN</sub>	Receiver input voltage	-30	30	
P <sub>D</sub>	Dissipated power DIP – package SO - package	-	842	mW
			762	
I <sub>SC</sub>	Output current of transmitter short circuit	-	Continuously	mA
T <sub>a</sub>	Ambient temperature	-60	150	°C

**Absolute maximum conditions**

Symbol	Parameter	Rate		Unit
		min	max	
$V_{CC}$	Supply voltage	4.5	5.5	V
$V_{+}$	Transmitter output high voltage	5.0	-	
$V_{-}$	Transmitter output low voltage	-5.0	-	
$V_{TIN}$	Transmitter input voltage	0	$V_{CC}$	
$V_{RIN}$	Receiver input voltage	-30	30	
$I_{SC}$	Transmitter short circuit output current	-	$\pm 60$	mA
$T_a$	Ambient temperature	-40	85	$^{\circ}C$



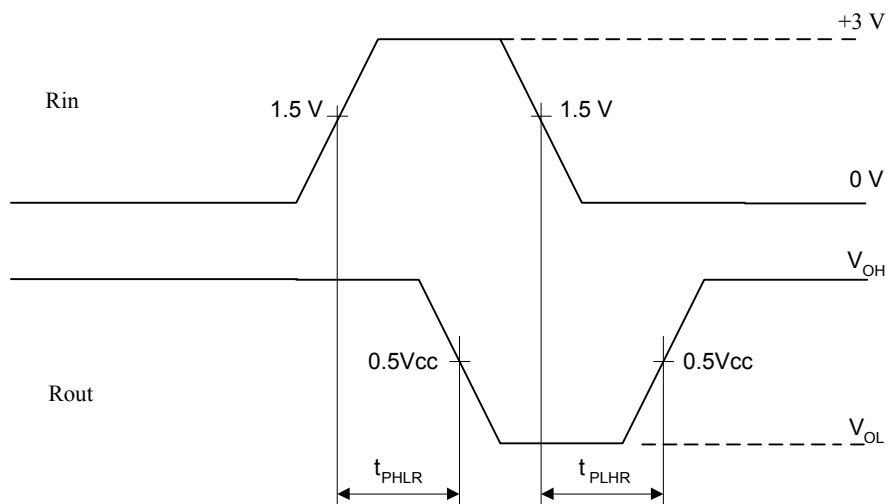
Symbol	Parameter	Test conditions	Rate				Unit
			25°C		от -40 °C до 85 °C		
			min	max	min	max	
$I_{CC}$	Consumption current static	$V_{CC} = 5.5 \text{ V}$ $V_{IL} = 0 \text{ V}$	-	10.0	-	14.0*	mA
<b>Receiver electrical parameters</b>							
$V_h$	Hysteresis voltage	$V_{CC} = 5.0 \text{ V}$	0.2	0.9	0.2	1.0	V
$V_{On}$	On (operation) voltage	$V_O \leq 0.1 \text{ V}$ $I_{OL} \leq 20 \text{ mA}$	-	2.4	-	2.3	
$V_{off}$	Off (dropout) voltage	$V_O \geq V_{CC} - 0.1 \text{ V}$ $I_{OH} \leq -20 \text{ mA}$	0.8	-	0.9	-	
$V_{OL}$	Output low voltage	$I_{OL} = 3.2 \text{ mA}$ $V_{CC} = 4.5 \text{ V}$ $V_{IH} = 2.4 \text{ V}$	-	0.3	-	0.4	
$V_{OH}$	Output high voltage	$I_{OH} = -1.0 \text{ mA}$ $V_{CC} = 4.5 \text{ V}$ $V_{IL} = 0.8 \text{ V}$	3.6	-	3.5	-	
$R_i$	Input resistance	$V_{CC} = 5.0 \text{ V}$	3.0	7.0	3.0	7.0	kOhm
<b>Transmitter electrical parameters</b>							
$V_{OL}$	Output low voltage	$V_{CC} = 4.5 \text{ V}$ $V_{IH} = 2.0 \text{ V}$ $R_L = 3.0 \text{ kOhm}$	-	-5.2	-	-5.0	V
$V_{OH}$	Output high voltage	$V_{CC} = 4.5 \text{ V}$ $V_{IL} = 0.8 \text{ V}$ $R_L = 3.0 \text{ kOhm}$	5.2	-	5.0	-	
$I_{IL}$	Input low current	$V_{CC} = 5.5 \text{ V}$ $V_{IL} = 0 \text{ V}$	-	-1.0	-	-10.0	mA
$I_{IH}$	Input high current	$V_{CC} = 5.5 \text{ V}$ $V_{IH} = V_{CC}$		1.0		10.0	
SR	Speed of output front change	$V_{CC} = 5.0 \text{ V}$ $C_L = 50 - 1000 \text{ pF}$ $R_L = 3.0 - 7.0 \text{ kOhm}$	3.0	30	2.7	27	V/mks
$R_O$	Output resistance	$V_{CC} = V_+ = V_- = 0 \text{ V}$ $V_O = \pm 2 \text{ V}$	350	-	300	-	Ohm
$I_{sc}$	Short circuit output current	$V_{CC} = 5.5 \text{ V}$ $V_O = 0 \text{ V}$ $V_I = V_{CC}$ $V_I = 0 \text{ V}$		-50 50		-60 60	mA
ST	Speed of information transmission	$V_{CC} = 4.5 \text{ V}$ $C_L = 1000 \text{ pF}$ $R_L = 3.0 \text{ kOhm}$ $t_w = 7 \text{ mks}$ (for extreme $-t_w = 8 \text{ mks}$ )	140	-	120	-	kbit/c

Symbol	Parameter	Test conditions	Rate				Unit
			25 °C		from -40 °C to 85 °C		
			min	max	min	max	
$t_{PHLR}$ ( $t_{PLHR}$ )	Signal propagation delay time when switching on (off)	$V_{CC} = 4.5 V$ $C_L = 150 pF$ $V_{IL} = 0 V$ $V_{IH} = 3.0 V$ $t_{LH} = t_{HL} \leq 10 ns$	-	9.7	-	10	mks
$t_{PHLT}$ ( $t_{PLHT}$ )	Signal propagation delay time when switching on (off)	$V_{CC} = 4.5 V$ $C_L = 2500 pF$ $V_{IL} = 0 V$ $V_{IH} = 3.0 V$ $R_L = 3 k\Omega$ $t_{LH} = t_{HL} \leq 10 ns$		5.0*		6.0*	

### Capacitance

Symbol	Parameter	$V_{CC}$ , V	Rate	Unit
$C_{IN}$	Input capacitance	5.0	9.0	pF
$C_{PD}$	Dynamic capacitance		90	

Timing diagram when measuring IC dynamic parameters



**Figure 3**

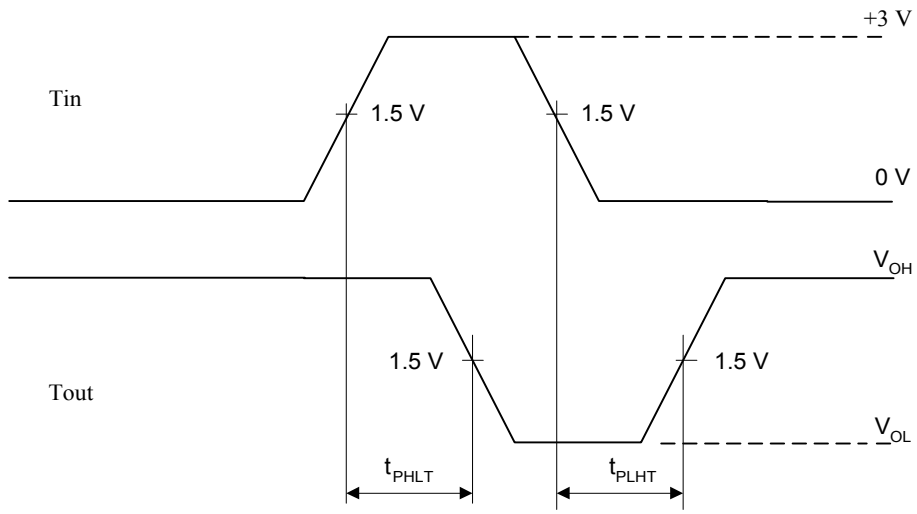


Figure 4

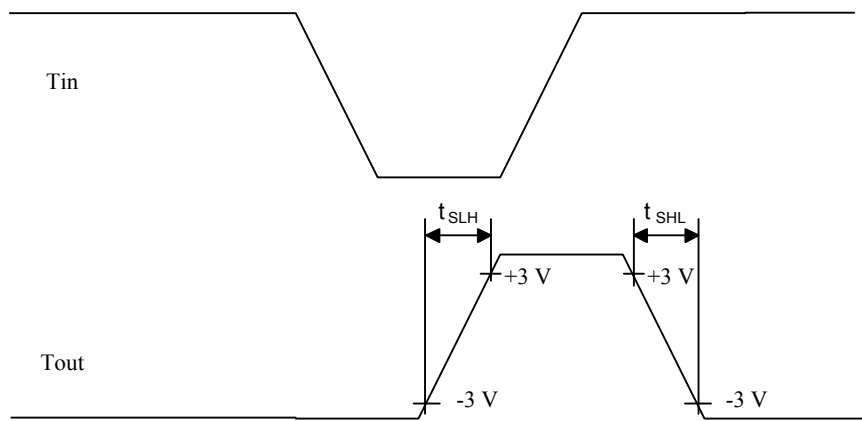


Figure 5

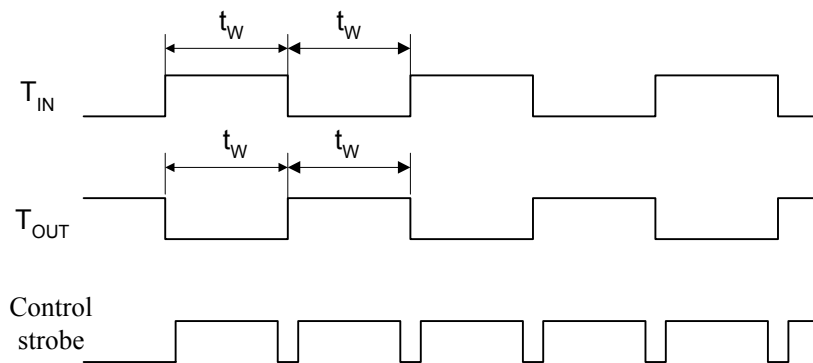


Figure 6

Important statement:

Huaguan Semiconductor Co,Ltd. reserves the right to change the products and services provided without notice. Customers should obtain the latest relevant information before ordering, and verify the timeliness and accuracy of this information.

Customers are responsible for complying with safety standards and taking safety measures when using our products for system design and machine manufacturing to avoid potential risks that may result in personal injury or property damage.

Our products are not licensed for applications in life support, military, aerospace, etc., so we do not bear the consequences of the application of these products in these fields.

Our documentation is only permitted to be copied without any tampering with the content, so we do not accept any responsibility or liability for the altered documents.