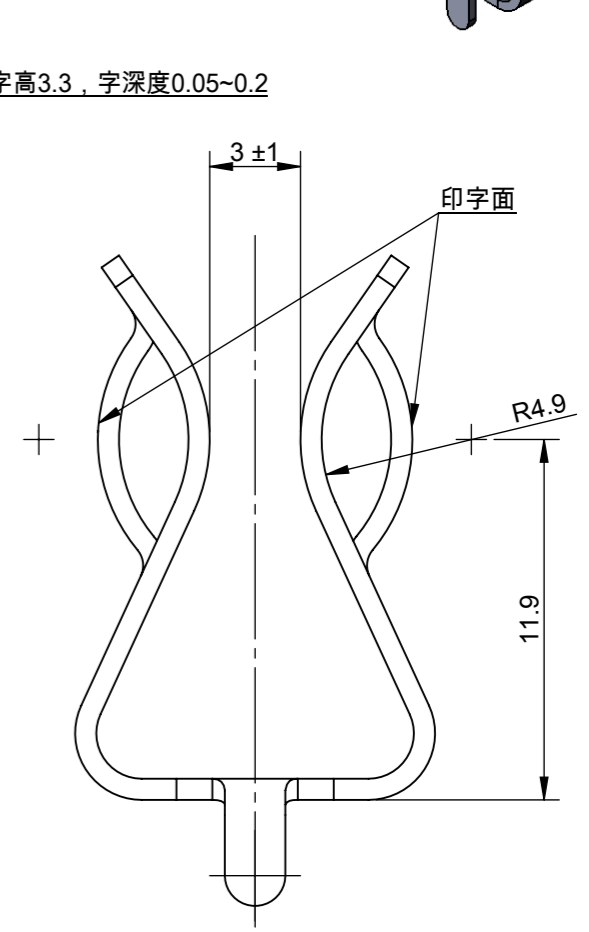
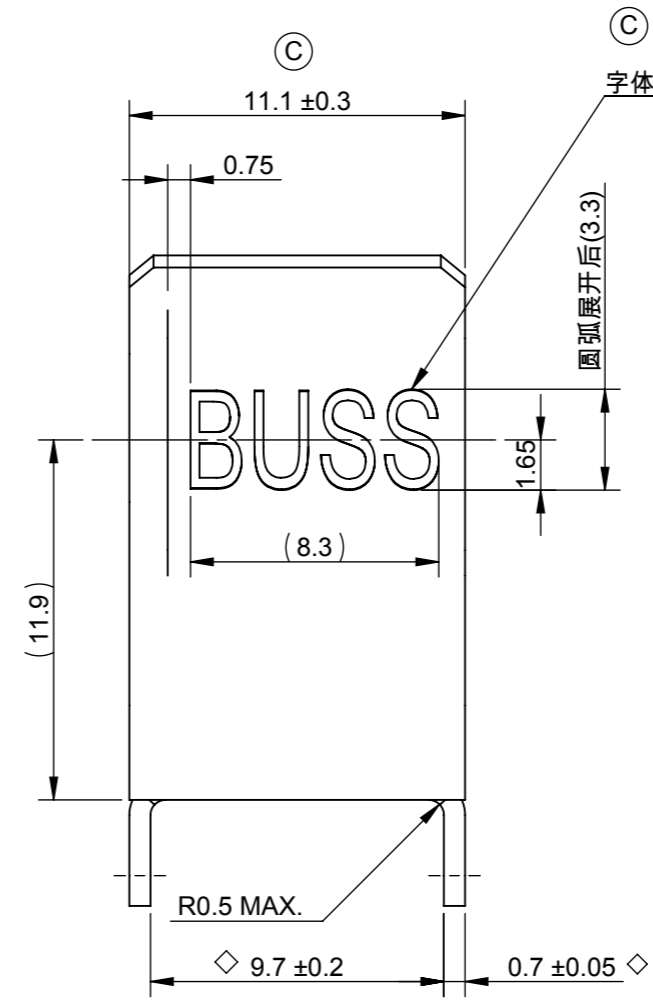
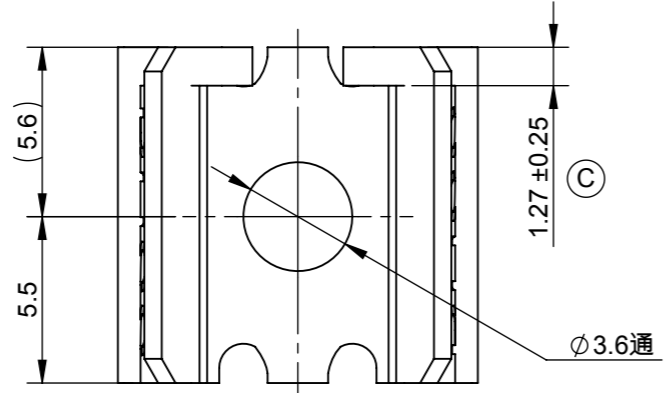
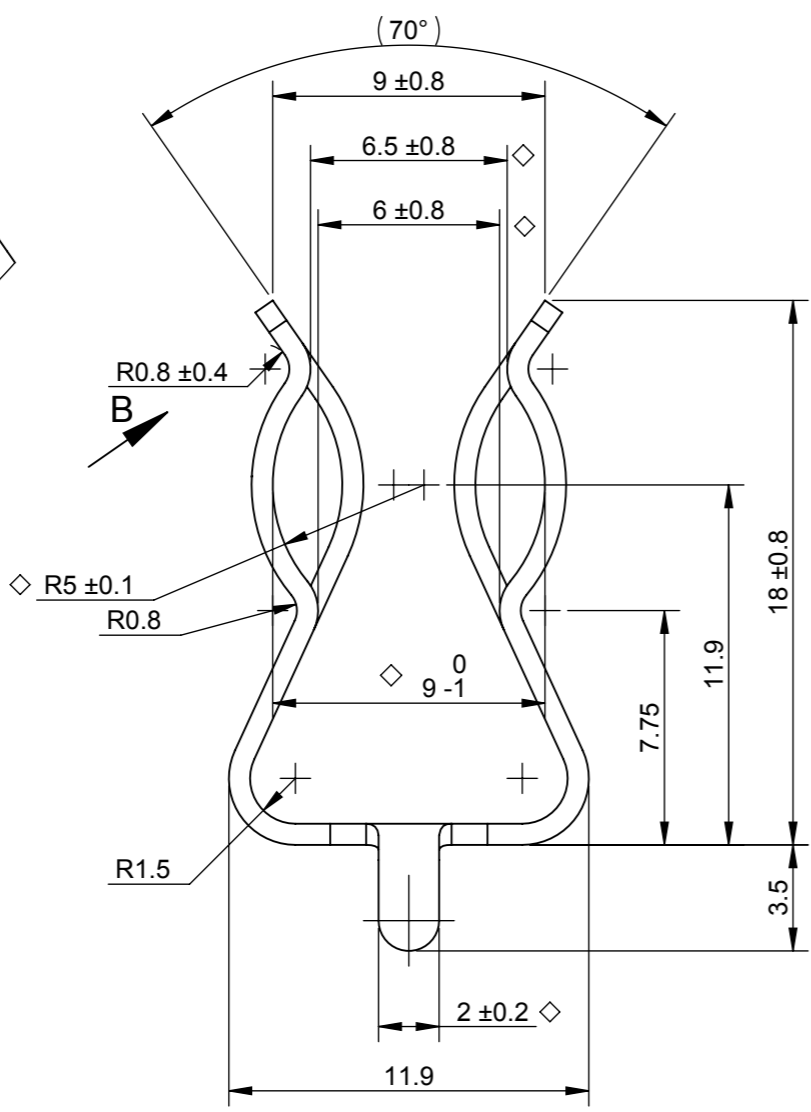
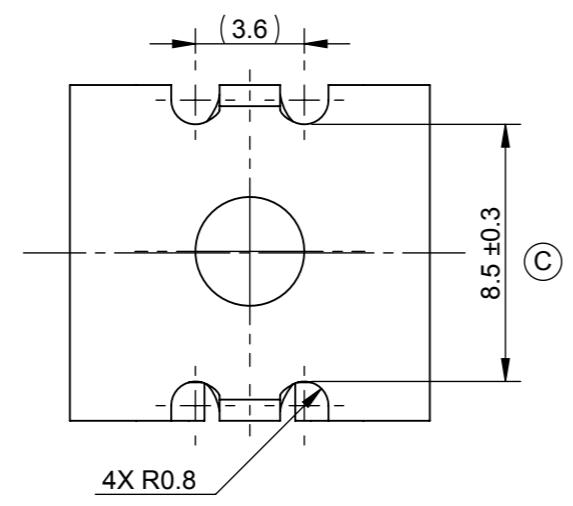
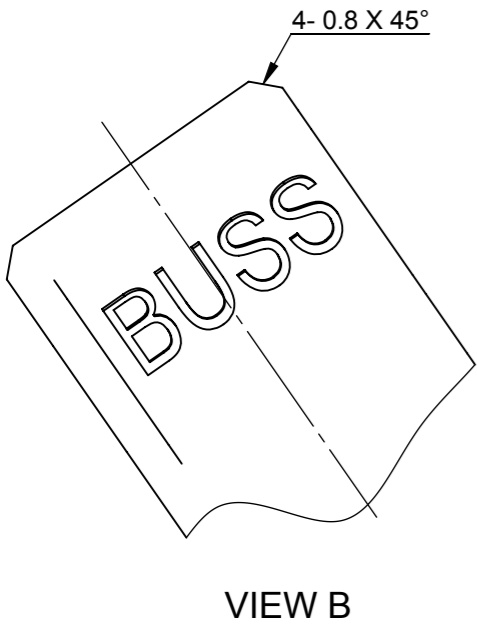
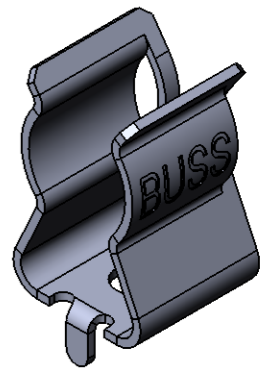


| REVISION |   |     |            |            |
|----------|---|-----|------------|------------|
| REV      | DESCRIPTION   | BY  | DATE       | CHANGE NO. |
| D        | DRAWING UPDATED WITH EATON BUSSMANN SERIES TEMPLATE | EDK | 11/28/2015 | 80002525   |



技术要求  
 1.未注公差尺寸的极限偏差按GB/T1804-m.  
 2.无毛刺。

|  |   |                            |                          |                     |   |                                 |
|--|---|----------------------------|--------------------------|---------------------|---|---------------------------------|
| MODEL SOURCE FILE:<br>8XR-145-016  | UNLESS OTHERWISE SPECIFIED, ALL DIMENSIONS ARE IN MILLIMETERS.  | TITLE<br>BK-1A3400-09-R-XA |                          |                     |   | <br>Powering Business Worldwide |
|  | TOLERANCES UNLESS OTHERWISE SPECIFIED: ACCORDING TO GB/T 1804-m | UNCONTROLLED COPY          | DRAWN BY:<br>YC          | DATE:<br>11/20/2014 | SCALE:<br>NTS   |                                 |
| THIS DRAWING IS CONFIDENTIAL AND THE COPYRIGHT OF EATON AND MUST NOT BE COPIED OR PASSED ON TO A THIRD PARTY WITHOUT WRITTEN CONSENT |   | MATERIAL:<br>Qsn6.5-0.1    | FINISH:<br>EP.Sn 6 b. At |                     | EATON<br>NO. 86 Jinye Road High-Tech Zone Xi'an China. 710077<br>Tel: +86 029 8824 1869<br>Fax: +86 029 8822 9227 |                                 |
| DWG NO:<br>8XR-145-016   |   |                            | REV:<br>D                | SHEET:<br>1 OF 1    |   |                                 |

Drawing template A3 : Rev 6