



深圳市首韩科技有限公司

SHENZHEN SHOUHAN TECHNOLOGY CO., LTD

Tel: 0755-27597601 Fax: 0755-27597491

承 认 书

SPECIFICATION FOR APPROVAL

客户 Customer:

首韩型号:

DC044

厂家型号:

DC044

贵公司承认印 Approval signatures

料号/Part No.	签章/Signatures

日期 Date:

拟制/Drawn	李春风	
审核/Check	张栋	
批准/Approved	罗孝金	



品名 (NAME) : DC座
型号 (MODEL): DC-044
1.溫度5~35°C, 湿度45~85%標準狀態下測試。 In normal fettle to test. Temperature 5~35°C and humidity 45~85%
2.溫度 -40~55°C環保內使用。 In entirment of remperature -40~55°C

ITEM 專案	TEST CONDITION 測試條件	SPECIFICICAION 規格
---------	---------------------	-------------------

3.ELECTRONICAL RESISTAN 電氣性能

3.1	CONTACT RESISANCE 接觸阻抗	Being measured at 1KHZsmall current connact resistance meter.在1KHZ小電流下測量。	0.03欧姆以下
3.2	INSULATION RESISTANCE 絕緣阻抗	Measurements shall be made following application of DC500V potenrial across terminals and across terminals and frame for 1minute.在端子之間和端子與殼之間加DC500V條件下，持續1分鐘測量。	100M min 100兆歐以上。
3.3	WITHSTAND VOLTAGE 耐電壓	AC500V(50HZ or 60HZ) shall be applied across terminals and across terminals and frame for one minute.在端子之間和端子與殼之間加AC500V條件下，持續1分鐘測量。	There shall be no breakdown 無擊穿現象。

4.MECHANICAL CHARACTERISTICS 機械性能

4.1	INSERION AND WITHDRAW 插拔力	Being measure at across spring piece and across matching plug for ergometer.用測力計在插頭與彈片之間進行測試	Insertion and extraction force 3~20 N, 插拔力3-20N
4.2	TERMINAL STRENGTH 端子強度	A static force of 500gf being applied in one directionon the top of terminal for 1 minute.一個500克之靜負荷施加於端子頂部的一個方向持續1分鐘。	There shall be no sign of damage mechanical and electriclly. 無任何迹象顯示機械及電器性能之損壞。

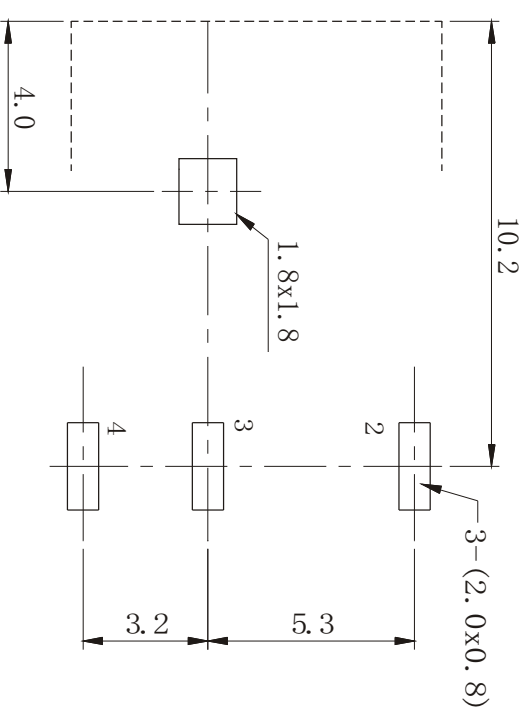
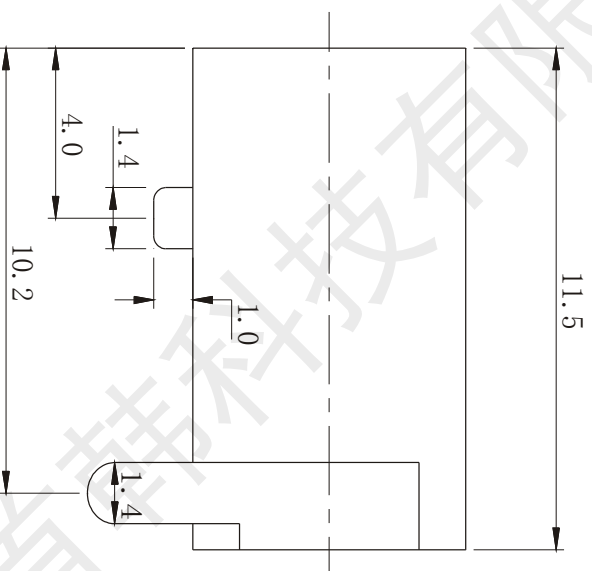
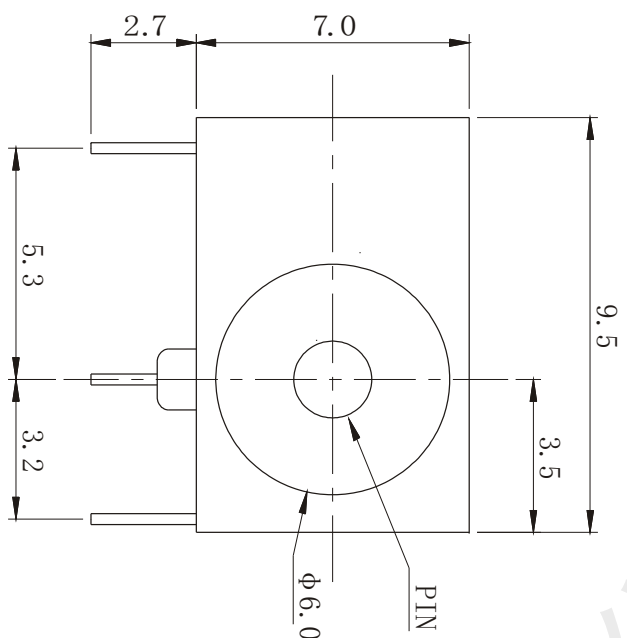


5. DURABILTY 耐 久 性

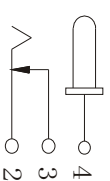
5.1	SOLDERING TEST 可韓性試驗	The top of terminals shall be dipped 2mm in the loder bath at a temperature of $230\pm 5^{\circ}\text{C}$ for 3sec. 端子頂部被浸入韓池2mm深，溫度 $230\pm 5^{\circ}\text{C}$ 時間3秒。	A new un form coating of shall cover above 75% of the surface being immersed. 浸入的部分75%以上表面將被錫覆蓋。
5.2	LIFE TEST 壽命試驗	5000 cycles of operation at rate of 20-30 cycles per minture with unloading. 無負載條件下，每分鐘20—30次的速度操作5000次。	(1) Contactresistance.40m Ω max 接觸阻抗40毫歐以下 (2) Drive fore 30 inital value 動作力變化範圍初始值30 (3) ITEM專案—3.2 (4) ITEM專案—3.3 (5) INEM—4.2
5.3	HEAT TEST 耐熱試驗	$80\pm 2^{\circ}\text{C}$ for 48 hours after test keep in normal condition for 30minutes. 在 $80\pm 2^{\circ}\text{C}$ 環境中放48小時，再放在正常環境中30分鐘後進行測試。	(1) Contact resistance 50m Ω max.接觸电阻50毫歐以下
5.4	HUMIDITY TEST 耐濕試驗	The condition of temperature $40\pm 2^{\circ}\text{C}$ and humidity 90-95%for 48 hours after test keep in normal condition for 30 min.在 $40\pm 2^{\circ}\text{C}$ 90—95 % Rh環境中放48小時，再放在正常環境中30分鐘後進行測試。	(2) Insulation resistance 100M Ω min绝缘电阻100M歐以上 (3) There shall be no sign of damage mechanically and electrically.無任何迹象顯示機械及電器性能之損壞。
5.5	COLD TEST 耐冷試驗	At $-30\pm 2^{\circ}\text{C}$ for 48 hours,after test keep in normal condition for 30 min.在 $-30\pm 2^{\circ}\text{C}$ 環境中放48小時，再置於正常環境中30分鐘後進行測試。	

REV	A		
DATE	08/12/24		

P. C. B LAYOUT TOP VIEW



PIN	$\phi 1.65$	$\phi 2.0$	$\phi 2.5$
APPD			



7	TERMINAL-3	BRASS-0.4T	2	Tin Plating
6	TERMINAL-2	BRASS-0.4T	2	Tin Plating
5	TERMINAL-1	BRASS-0.5T	2	Tin Plating
4	SOCKET	BRASS-0.4T	4	Tin/Gold Plating
3	UP&DOWN COVER	ABS	2	BLACK
2	WASHER	ABS	4	
1	HOUSING	ABS	1	BLACK
NO	PART	MATERIAL	QTY	REMARKS

TOLERANCE

UNDER 1	± 0.05
1-10	± 0.15
OVER 10	± 0.25



深圳市首韩科技有限公司

TITLE:	DC POWER JACK	ITEM NO	DC044
DRAWING:	张栋	SCALE	
DATE:	08/12/24	PROJECTION	
APPROVE:	罗孝金	UNIT	mm