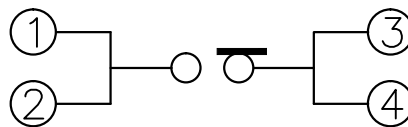
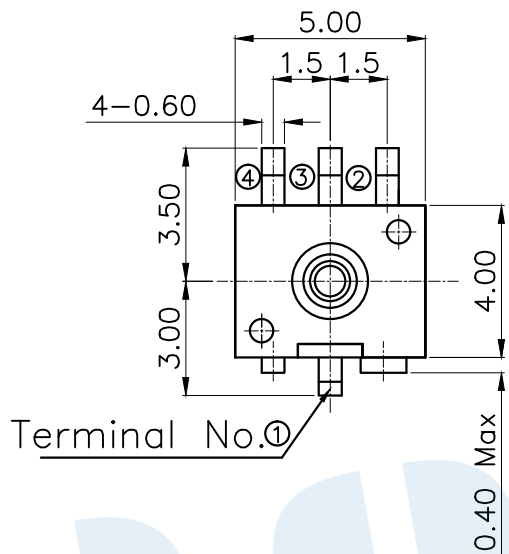
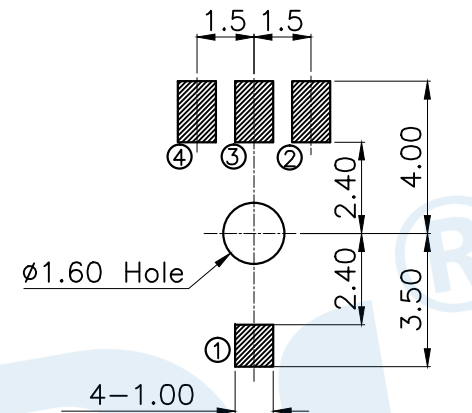


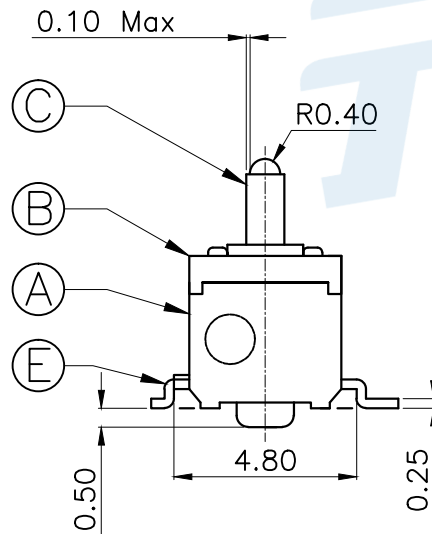
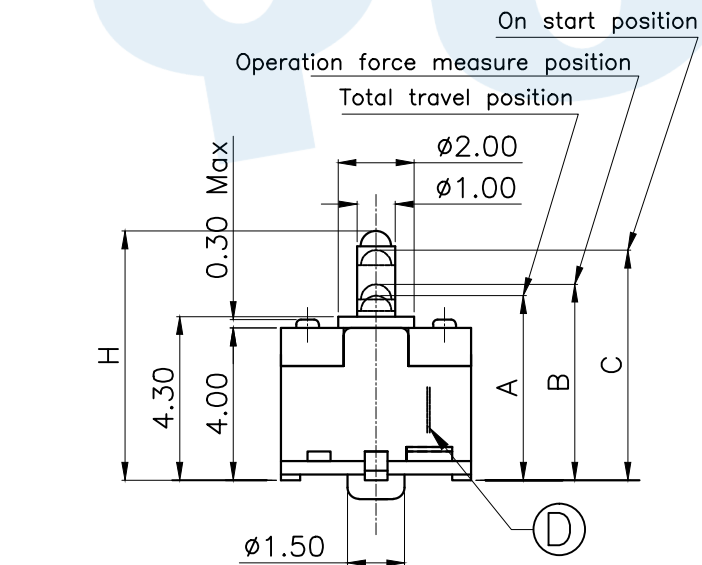
RoHS



Circuit Diagram



PCB Layout(Pattern side)



CODE	H	A	B	C
A1	6.5±0.3	4.85Max	5.15	6.05
A3	8.0±0.3	6.35Max	6.65	7.55

Technical Parameters

- 1.Rated current: DC 30V 0.1A
- 2.Operating force:30±10gf
- 3.Mechanical life: 100,000 times

Ⓕ	Spring		1	SUS	Natural
Ⓖ	Terminal		4	Brass	Silvering
Ⓓ	Contact Reed		1	Beryllium Bronze	Silvering
Ⓒ	Button		1	PPA	Black
Ⓑ	Cover		1	PPA	Black
Ⓐ	Base		1	PPA	Black
NO.	Name	Number	Qty	Materil	Remarks

YUANDI® Yuandi Electronics Co, Ltd

design	date	name	DETECTION SWITCH
Review	date	model	TQ-2525-□
Approved	date		

Drawing number: Proportion 1:1 unit mm gage number A4

modify Review Approved Tolerance not specified

angle	±2'
10~30	±0.30
5~10	±0.20
~ 5	±0.10