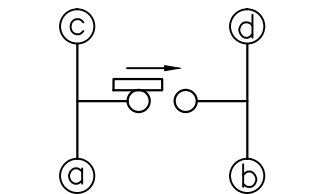
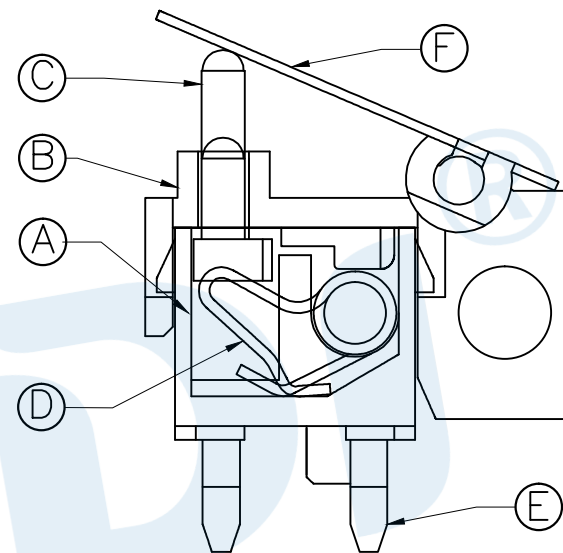
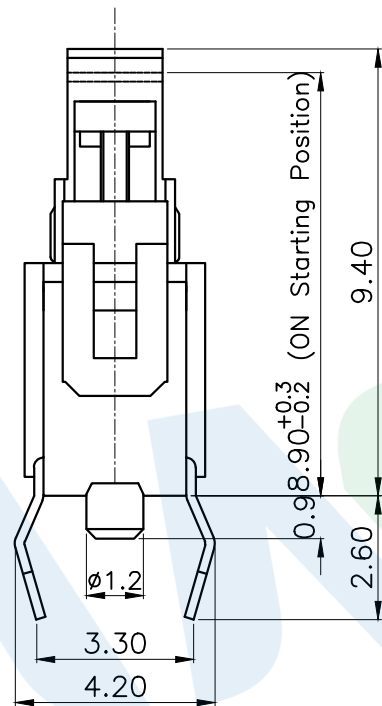
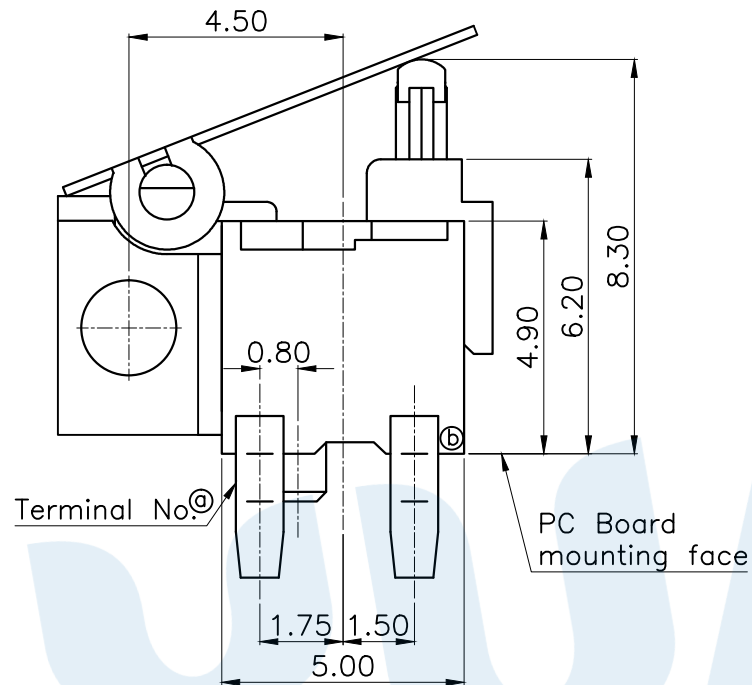
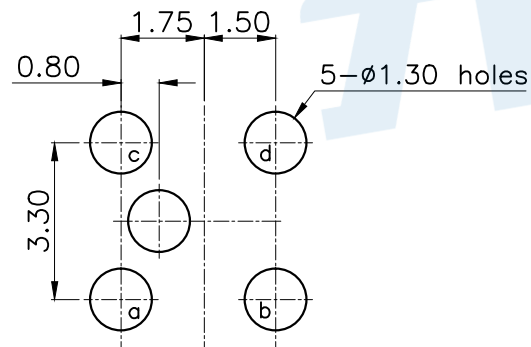


RoHS



Circuit Diagram



PCB Layout(Pattern side)

Technical Parameters

- 1.Rated current: DC 30V 0.1A
- 2.Operating force:30±10gf
- 3.Mechanical life: 50,000 times

NO.	Name	Number	Qty	Materil	Remarks
Ⓕ	Lever		1	SUS	Natural
Ⓖ	Terminal		4	Phosphor bronze	Silvering
Ⓓ	Contact spring		1	Phosphor bronze	Silvering
Ⓒ	Button		1	Nylon	Black
Ⓑ	Cover		1	Nylon	Black
Ⓐ	Base		1	Nylon	Black

YUANDI® Yuandi Electronics Co.,Ltd

design	date	name	DETECTION SWITCH
Review	date	model	TQ-2541
Approved	date		

Drawing number: Proportion 1:1 unit mm gage number A4

modify Review Approved Tolerance not specified