

## 1. ELECTRICAL SPECIFICATIONS @25°C

1.1 OCL: 350 uH Min @ 100 KHz, 0.1V with 8mA DC Bias

1.2 Leakage Inductance: 0.5uH Max @ 100KHz, 0.2V

1.3 DCR: 1.4Ω Max

1.4 Turns Ratio: 1CT:1CT

1.5 Polarity: 2-23, 5-20, 8-17, 11-14, In-Phase

1.6 Insertion Loss: -1.1 dB Max. @ 0.3-100 MHz

1.7 Return Loss: -18 dB Min. @ 1-30 MHz

-14 dB Min. @ 30-60MHz

-12 dB Min.@ 60-80 MHz

-10 dB Min.@ 80-100 MHz

1.8 Cross Talk: -30 dB Min@ 1-100 MHz


1.9 Common Mode Rejection : -30 dB Min@ 1-100 MHz

1.10 Isolation HI-POT: 1500Vrms 2mA 60Second

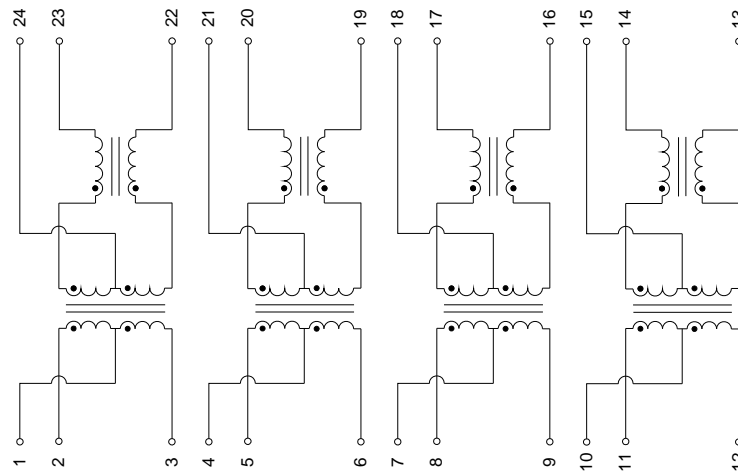
1.11 Operating temperature 0°C to +70°C

1.12 Storage temperature -40°C to +85°C

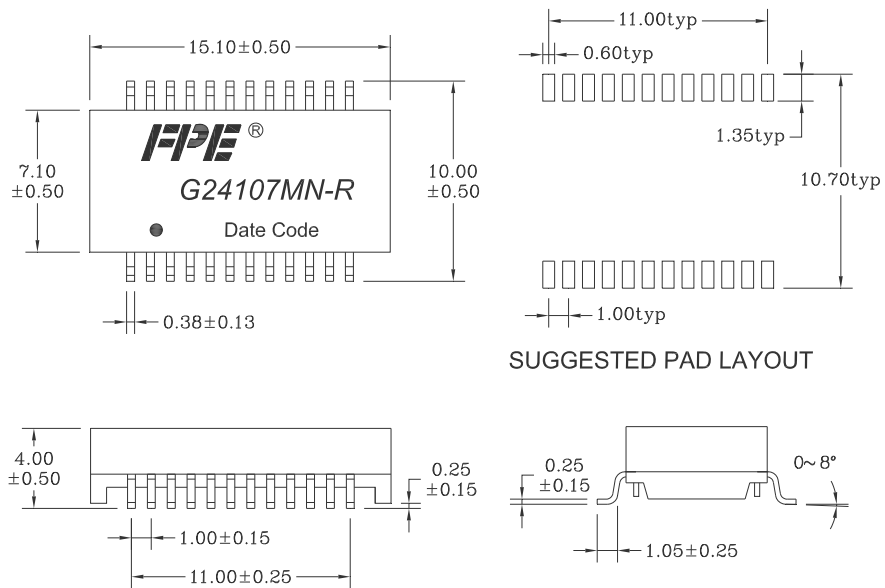
With 350mA Current Capability---IEEE802.3af compliant performance


|   |                                      |              |                          |
|---|--------------------------------------|--------------|--------------------------|
| DRAWN BY:   | CHECKED BY:                          | APPROVED BY: | CUSTOMER BY:             |
| Andy  |                                      |              | FPE PART NO : G24107MN-R |
|  | Guang Dong MiSun Technology Co., Ltd |              | REV: C                   |
|   |                                      |              | PAGE: 1 / 2              |

## 2. SCHEMATICS:



## 3.DIMENSIONS & MARKING:



|   |                                      |              |                          |
|---|--------------------------------------|--------------|--------------------------|
| DRAWN BY:   | CHECKED BY:                          | APPROVED BY: | CUSTOMER BY:             |
|   |                                      |              | FPE PART NO : G24107MN-R |
|  | Guang Dong MiSun Technology Co., Ltd |              | REV: C                   |
|   |                                      |              | PAGE: 2 / 2              |