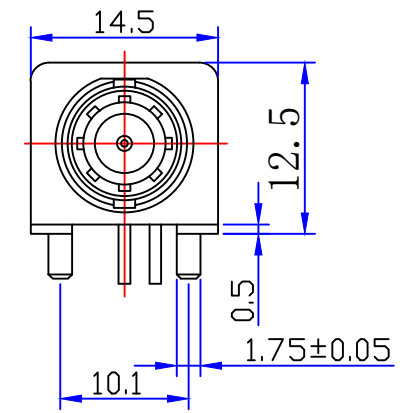
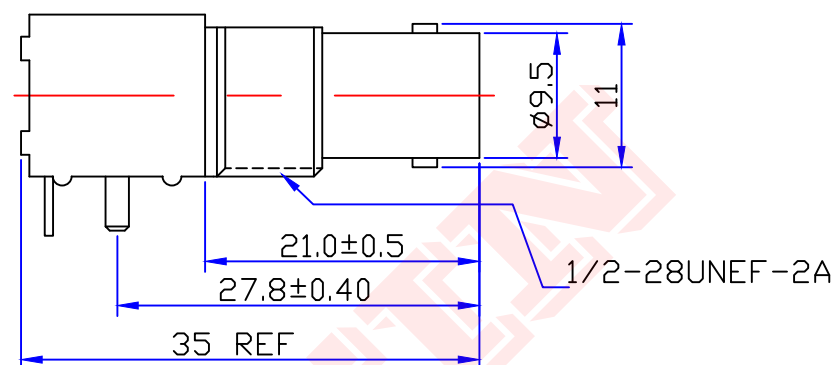
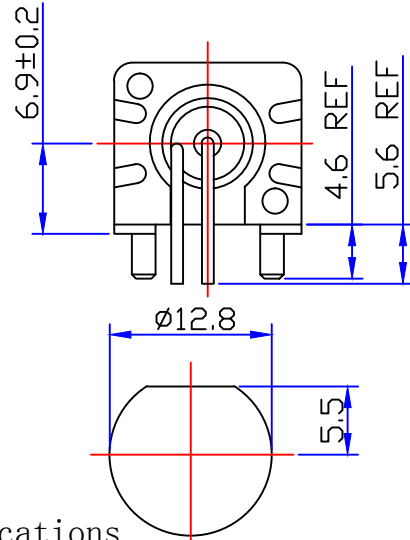


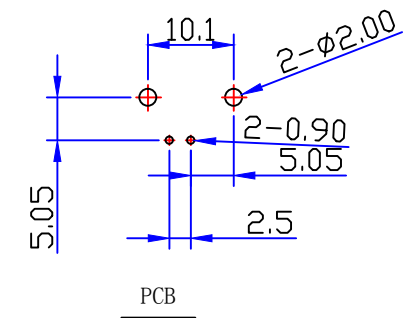
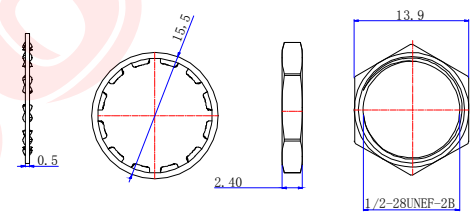


Product NO.		DOSIN-801-0039		
REV	DESCRIPTION	DWN	DATE	APPROVEN
A	First issue	JIM	2012/11/02	John kine



**Specifications**

Impedance:75 Ohms  
 Frequency Range:DC~3G  
 VSWR:1.3MAX  
 Working Voltage:500V rms @ sea level  
 Insulation Resistance:5000 Ohms min  
 Temperature Range:-55°C TO +155°C  
 Relative Temperature:≤95%(40° C±2° C)  
 Drawings products are in line with ROHS standards



1	Body	Zinc	NI:80-120u"
2	Center contact	Brass	AU:1u"
3	Lead	Iron	SN:80-120u"
4	Fixed footrest	Iron	SN:80-120u"
5	Insulator	POM	White
6	Fixed mount	PBT	White
7	Washer	Brass	NI:80-120u"
8	Hex nut	Brass	NI:80-120u"
9			
10			
NO	Component Number	Material	Finish

NOTE:		Tolerance	0-6	±0.20
			6-30	±0.30
			30-120	±0.5
			Angular	±2°
DRAWN	2012/11/10	View		
Zelin. Zhang	10			
CHECKED		UNIT	MM	
APPROVALS	12/04.2012	SCALE	1:1	
John				

**Dosin Industrial(H.K)Co.Ltd**  
 东莞市德索五金电子制品有限公司  
 Dosin Hardware Electronics Co.,Ltd  
 E-mail:dosin2005@163.com  
 dosin2005@dosing-china.com  
 Web: http://www.dosinconn.com  
 TEL:(0086)769-81153906  
 FAX:(0086)769-81875836

Name: BNC WHITE JACK CONNECTOR (12.5MM)  
 SIZE A Product NO. DOSIN-801-0039 REV A  
 DateTime 2012/11/02 CAD FILE D/company drawings/BD SHEET: 1 OF 1