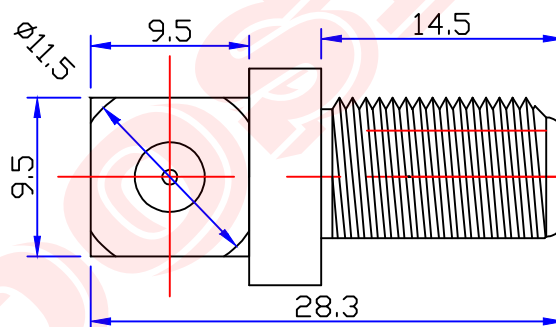
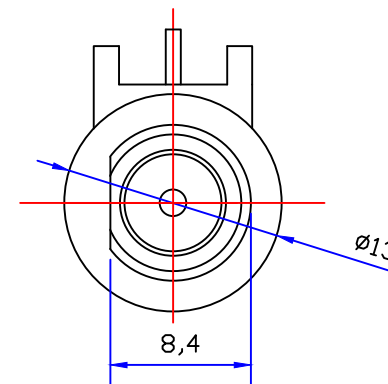
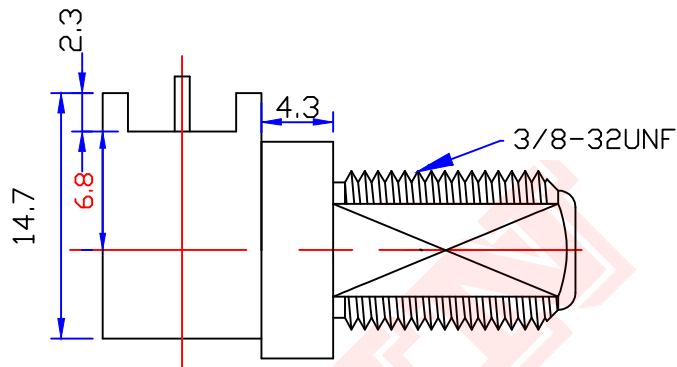
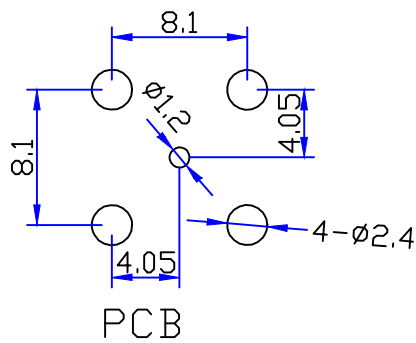




Product NO.		DOSIN-803-0377		
REV	DESCRIPTION	DWN	DATE	APPROVEN
A	First issue	Mr.chen	2019/01/02	John kine



SPECIFICATIONS:

Impedance: 75 Ohms
 Frequency Range: DC~3G
 VSWR: 30dB Return loss @ 1GHZ
 Working Voltage: 15 watts continuous
 Insulation Resistance: 5000 Ohms min
 Temperature Range: -40°C TO +60°C
 Drawings products are in line with ROHS standards

1	Body	Brass	NI:80-120u"	NOTE:	Tolerance	X.	±0.15	Dosin Industrial (H.K) Co. Ltd 东莞市德索五金电子制品有限公司 Dosin Hardware Electronics Co., Ltd	E-mail: dosin2005@163.com
2	Insulator	PP	White			X.X	±0.10		dosin2005@dosin-china.com
3	Center contact	Phosphor	SN			X.XX	±0.05		Web: http://www.dosinconn.com
4					Angular	±5°		TEL: (0086) 769-81153906	
5								FAX: (0086) 769-81875836	
6				DRAWN	2019/01/02	View		Name: F Jack Connector	
7				Zelin. Zhang		UNIT	MM	SIZE	Product NO.
8				CHECKED		SCALE	1:1	A	DOSIN-803-0377
9						DateTime	2019/01/02	CAD FILE	H/company drawings/BD
10	Component Number	Material	Finish	APPROVALS	John				SHEET: 1 OF 1