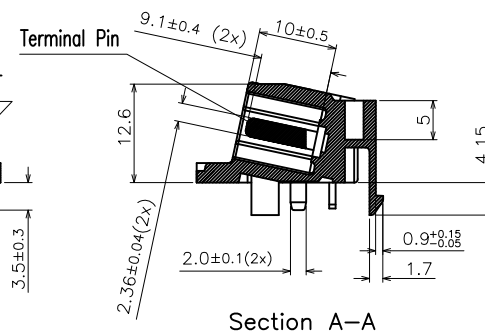
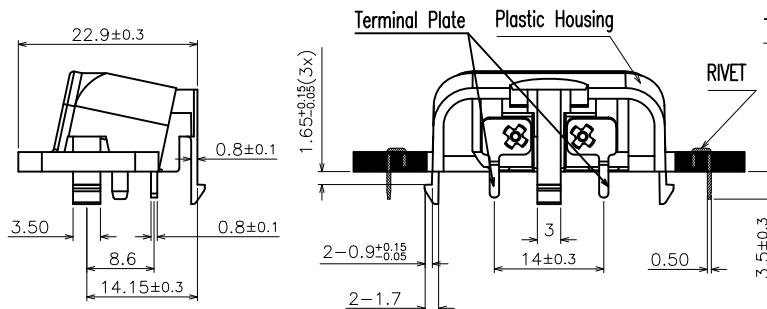
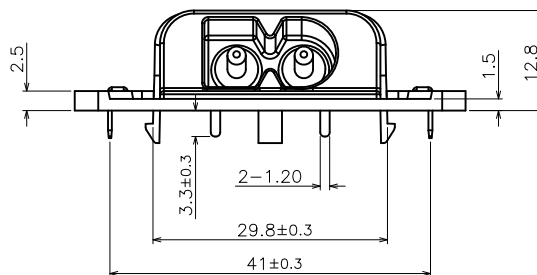
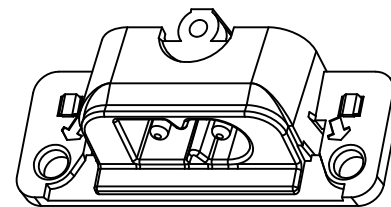
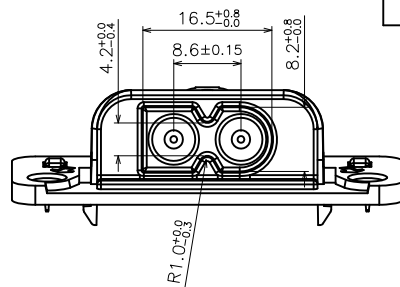
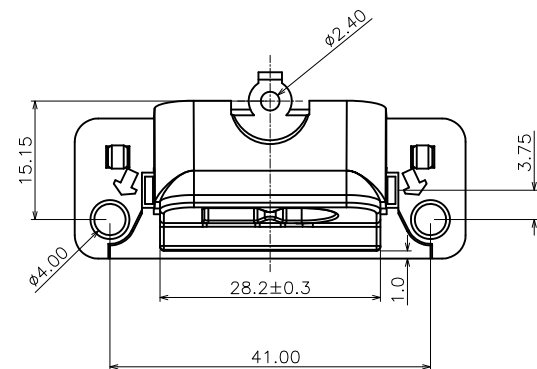
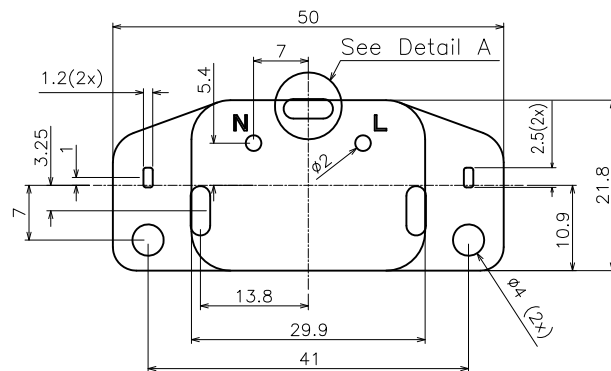
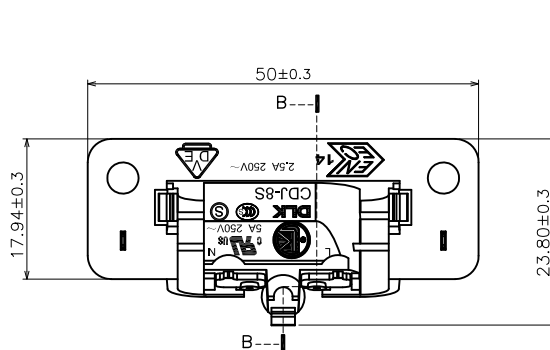


符合"DLK环境管理物质技术标准"

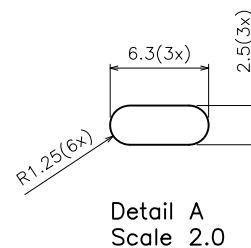
工程变更通知单 ECN(DCN) NO.	版本 REV	日期 DATE	说明 DESCRIPTION	改变 CHANGE	承认 APPRO.
KSECN19005	A	20190121	NEW	—	—



Section A-A



PCB Layout (Top View)



Detail A  
Scale 2.0

NOTE:

INSULATION RESISTANCE : 100MΩ MIN.  
CONTACT RESISTANCE : ≤30mΩ  
INSERTION FORCE : ≤60N  
EXTRACTION FORCE : 10~50N

产品净重:6.43g

NO.	ITEM	Q'TY	DESCRIPTION	FINISH
4	RIVET	2	SPCC	TIN
3	SOLDERING	2	BRASS	MIST TIN
2	CONTACT	2	BRASS	NI
1	HOUSING	1	PA66 UL 94V-0	BLACK(环保无红磷)

GENERAL TOLERANCE  
UNLESS OTHERWISE NOTED

Angle	±5°
X.	±0.30
.X	±0.25
.XX	±0.15
.XXX	±0.10
A4	



德力康电子科技有限公司

DLK

DELIKANG ELECTRONICS TECHNOLOGY CO.,LTD

C	名称 TITLE:	CDJ-8S+RIVET	料号 PART NO.:	ACT1SD-02BL4B007HP
	档案名称 FILE NAME:	C-ACT1S-07-HP	PART NO. (OLD)	CDJ-8S
DRAWING	王永辉	CHECKED	APPROVED	严成旺
UNIT:	mm	SCALE	1:1	SHEET: 1 of 1