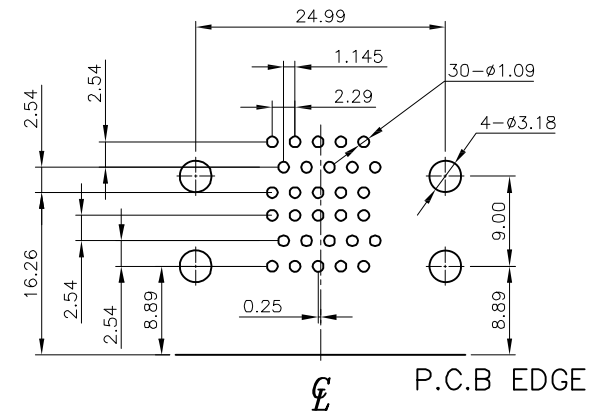


DIM A	DIM B
15.88	28.43
19.05	31.60



RECOMMENDED P.C.B LAYOUT

NOTE:

- MATERIALS AND FINISHED  
 INSULATOR : LCP OR PBT+30% GF UL 94V-0,  
 SHELL : STEEL, NI FINISHED  
 CONTACT MATERIAL:BRASS, SELEVITE GOLD FINISHED  
 HARPOON:BRASS,SN FINISHED  
 RIVET:COPPER ALLOY ,NI FINISHED  
 WITH #4-40 THREADED ASSEMBLED
- ELECTRICAL CHARACTERISTICS  
 CURRENT RATING : 1.0 AMP DC  
 VOLTAGE RATING: 300 V DC  
 CONTACT RESISTANCE :20 MILLIOHMS MAX.  
 DIELECTRIC WITHSTANDING VOLTAGE : 100 V AC MIN.  
 INSULATION RESISTANCE : 5000 MEGAOHMS MIN.
- ENVIRONMENTAL  
 OPERATING TEMPERATURE: -55°C ~ +85°C  
 STORAGE TEMPERATURE:-55°C ~ +105°C



深圳市华宇创精密电子有限公司

TOLERANCE: X.X ±0.30 X.XX ±0.25 X.XXX ±0.15 X' ±2' X.X' ±0.5'	DRAWN BY : 陈一鸣	DATE : 2014-02-23	PART NAME: HDR15F对HDR15F 铆锁
	CHECKED BY: 马跃	DATE : 2014-02-23	PART NO. HYC32-VGA30B-XXX
UNIT: mm [inch] SCALE:1:1 SIZE: A4	APPROVED BY:	DATE : 2014-02-23	DRAW NO: HYC-VGA16072514
			SHEET NO. 1 OF 1