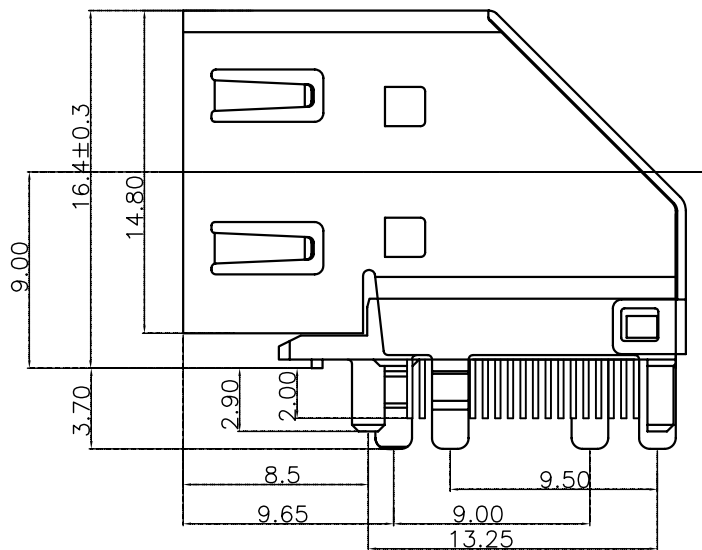
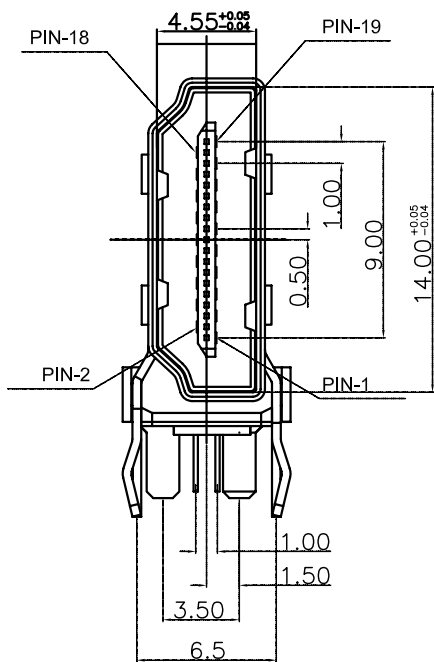


P.C.B LAYOUT



规格:

1. 插入力:44. 1N MAX.
2. 拔出力:9. 8~25N
3. 耐久性:10000 CYCLES MIN.
4. 额定电流:0. 5A
5. 额定电压:40V MAX
6. 耐电压:500V AC MIN. (UNMATED)
300V AC MIN. (MATED)
7. 接触阻抗:30mΩ MAX.
8. 绝缘电阻:100MΩ MIN (UNMATED)
10MΩ MIN (MATED)
9. 工作温度: -20°C TO +85°C
10. 所用材质须符合RoHS要求



深圳市华宇创精密电子有限公司

TOLERANCE: X.X ±0.30 X.XX ±0.25 X.XXX ±0.15 X' ±2' X.X' ±0.5'	DRAWN BY : 陈一鸣	DATE : 2014-02-23	PART NAME: HDMI A TYPE 侧插
	CHECKED BY: 马跃	DATE : 2014-02-23	PART NO. HVC70-HDMI A19-230
UNIT: mm [inch] SCALE: 1:1 SIZE: A4	APPROVED BY:	DATE : 2014-02-23	DRAW NO: HVC-HDMI16080811
			SHEET NO. 1 OF 1