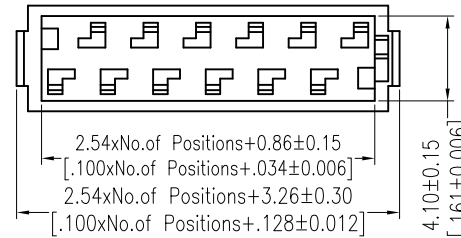
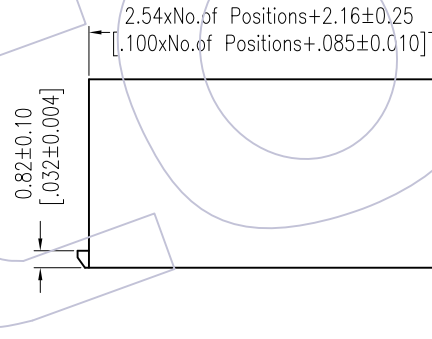
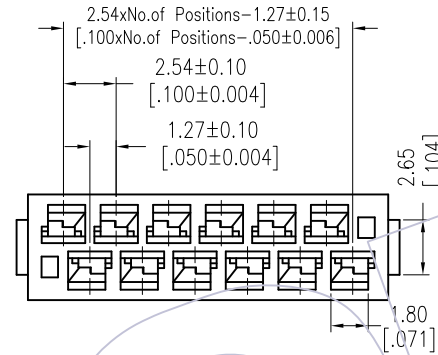
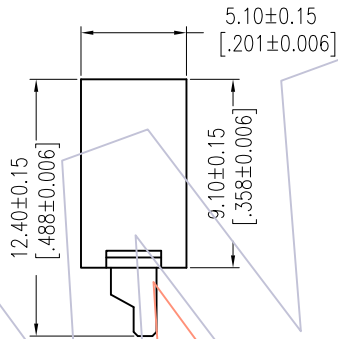
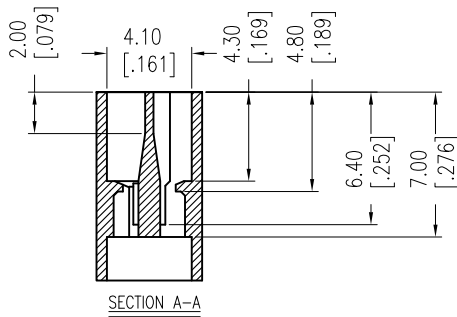


# HSF

NOTES:  
 Current Rating: 1.0AMP  
 Contact Resistance: 20mΩ Max  
 Withstand Voltage: 500V AC/DC  
 Insulation Resistance: 1000MΩ Min  
 Operation Temperature: -40°C to +105°C

Insulator Material: PBT+30%G.F UL94V-0  
 Used with: 3900-T (Crimp Terminal)



## Ordering Information

3900 - H XX R 01

No. of pins

REV	DATE	MODIFICATION DESCRIPTION	CHANGE	OPERATION	DRAW	DATE	SCALE	FIT	PART NO.
A2	2018/05/15	MINI MATCH--1.27mm MRC Connector		X.X ±0.40	Ding	2018/05/15	UNIT	mm	3900-HXXR01
A1	2014/05/28	MICRO MATCH--MINI MATCH		X.XX ±0.25	CHECK	DATE	SIZE	A4	TITLE:
AO	2012/10/11	NEW	-----	X.XXX ±0.15	APPROVE	DATE	SHEET	1/1	1.27mm MRC Connector CRIMP HOUSING
				Angle ± 3'			PROJ.		Customer NO.
				DIM TOL					

# WCON

Http: www.wcon.com

WCON-Dongguan Tel: +86 769 85358920 Fax: +86 769 85358915 E-mail: sales@wcon.com  
 WCON-Kunshan Tel: +86 512 57468408 Fax: +86 512 57468468 E-mail: salesks@wcon.com