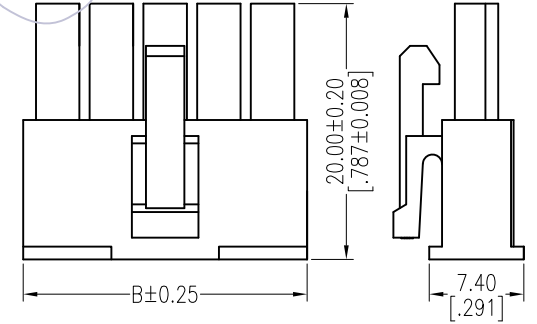
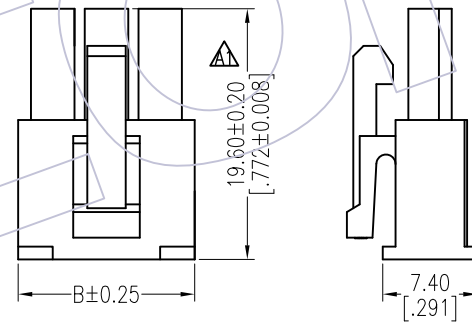
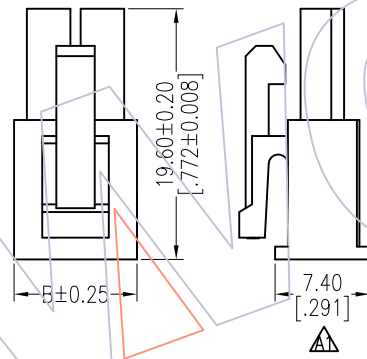
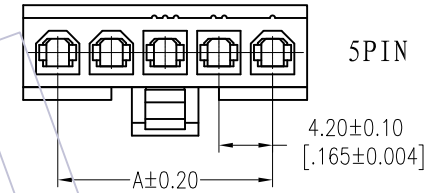
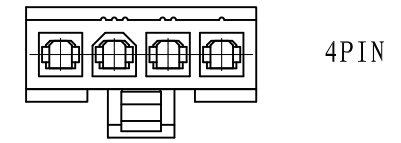
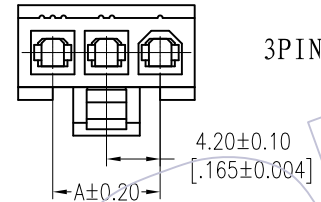
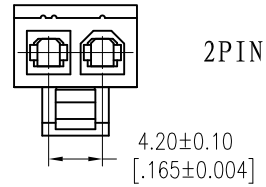


HSF

NOTES:
 Rated Current:9.0AMP
 Contact Resistance:20mΩ max
 Withstand Voltage:1500V AC/DC
 Insulation Resistance:1000MΩ min
 Operation Temperature:-25℃ to +85℃
 Insulator Material:PA66 UL94V-2
 Use with:WF4202-T (Female Contact)



Ordering Information

WF4202- 1 H XX W 0 1

No.of pins
02P-05P
Color
W=White
Packing
0=PE Bag

Specification & Ordering Information:

Circuit	Part No.	Dimension	
		A	B
02	WF4202-1H02W01	4.20	9.60
03	WF4202-1H03W01	8.40	13.80
04	WF4202-1H04W01	12.60	18.00
05	WF4202-1H05W01	16.80	22.20

REV	DATE	MODIFICATION DESCRIPTION	CHANGE	OPERATION		DRAW JYHuang	DATE 2015/06/25	SCALE	FIT	PART NO. SEE TAB
				X.X	±0.40					
A1	2015/06/24	Modify	—	X.XX	±0.25	CHECK	DATE	UNIT	mm inch	TITLE: 4.20mm Mini Fit Housing Single Row Male
AO	2012/09/17	NEW	—	X.XXX	±0.15	APPROVE	DATE	SIZE	A4	Customer NO.
				Angle	± 3'			SHEET	1/1	
				DIM	TOL			PROJ.	⌀	

WCON

Http: www.wcon.com

WCON-Dongguan
Tel: +86 769 85358920
Fax: +86 769 85358915
E-mail: sales@wcon.com

WCON-Kunshan
Tel: +86 512 57468408
Fax: +86 512 57468468
E-mail: salesks@wcon.com