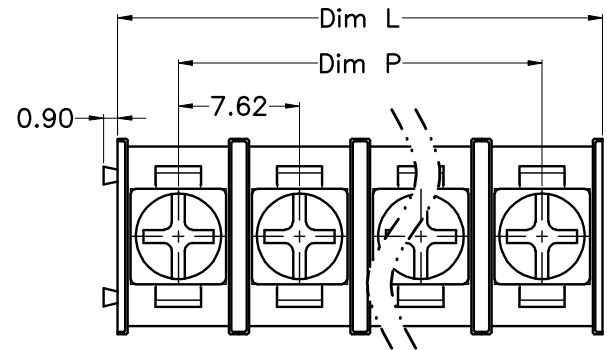
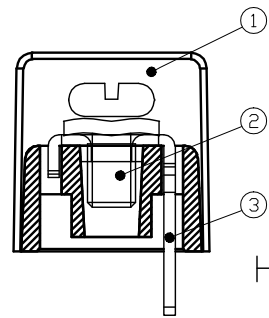
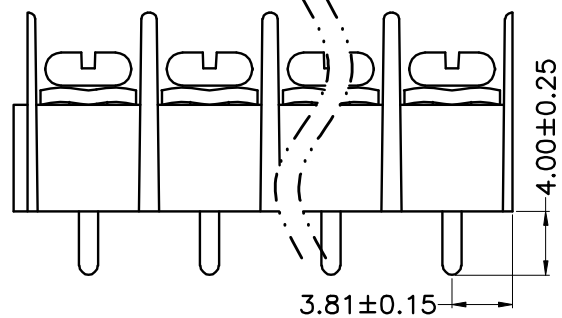
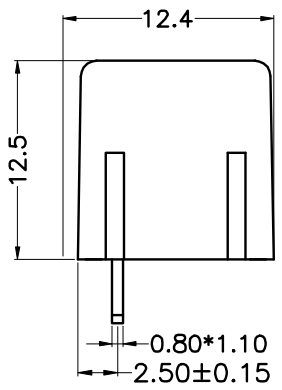


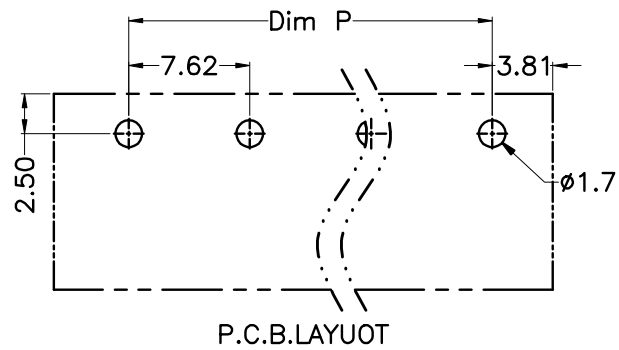
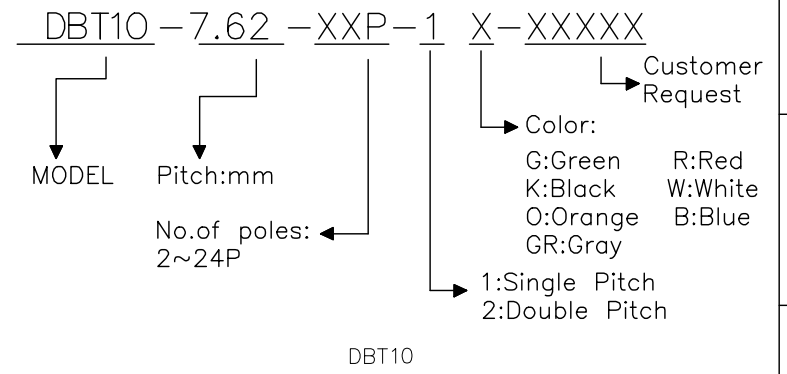
REV.	DESCRIPTION	DATE	DRAWN	APPROVED
A1	DWG.REL	2018/8/10	steven	Jack



- Material
 - ØHousing : PA66,UL94V-0
 - ØS rews : M3 steel, Ni plated
 - ØTerminal : Brass, Tin plated
- Electrical
 - UL IEC
 - Rated voltage : 300V 450V
 - Rated current : 20A 24A
 - Insulation resistance: 500MΩ/DC500V
 - Withstanding Voltage : AC2000V/1min
 - Wire range: 22-14AWG 2.5mm²
- Mechanical
 - Operating temperature: -40℃~+105℃
 - Soldering temperature: 250℃±5/5sec
 - Torque: 0.5N.m (4.43Lb.in)



HOW TO ORDER



N=Number of Poles
 Dim P=(N-1)x7.62
 Dim L=Nx7.62

Poles	Dim	Dim P	Dim L
2-6P		±0.10	±0.15
7-12P		±0.20	±0.20
13-18P		±0.25	±0.30
19-24P		±0.30	±0.40

GENERAL TOLERANCE		ANGLE TOLERANCE	
X.	±0.5	X°.	±5°
.X	±0.3	.X°.	±3°
.XX	±0.1	.XX°.	±1°

DRAWING TYPE	CUSTOMER		
SCALE	1:1	SHEET	1 OF 1
DRAWING NO.	XP0012016-xxxx		

PROJECTION	TITLE
	DBT10 - 7.62 - XXP
UNITS	mm
SHEET SIZE	A4
SERIES	栅栏式接线端子

DORABO 慈溪市地博电子有限公司
 CIXI DORABO ELECTRONICS CO.,LTD