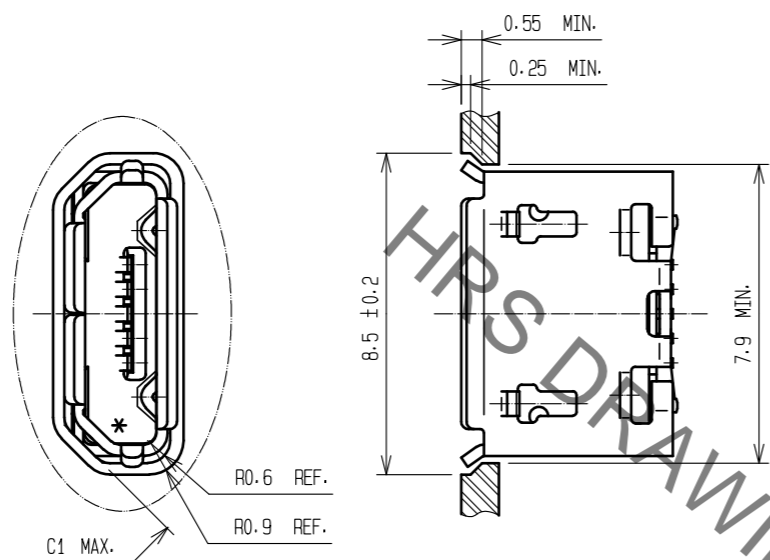


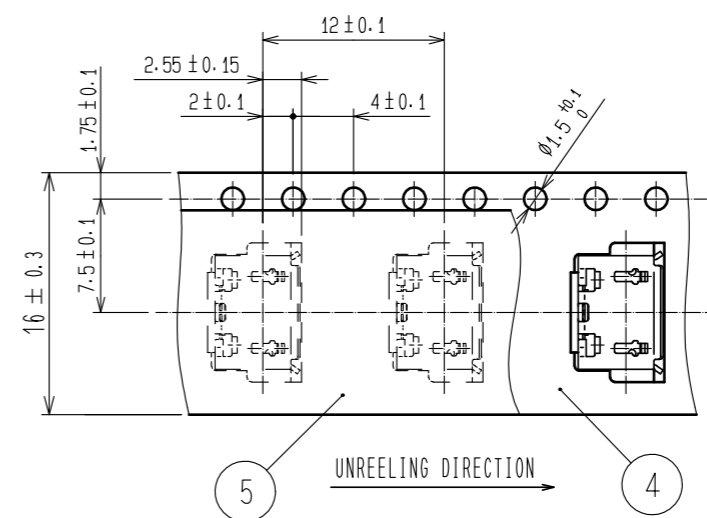


Aug.1.2020 Copyright 2020 HIROSE ELECTRIC CO., LTD. All Rights Reserved.  
 In case of consideration for using Automotive equipment / device which demand high reliability, kindly contact our sales window correspondents.

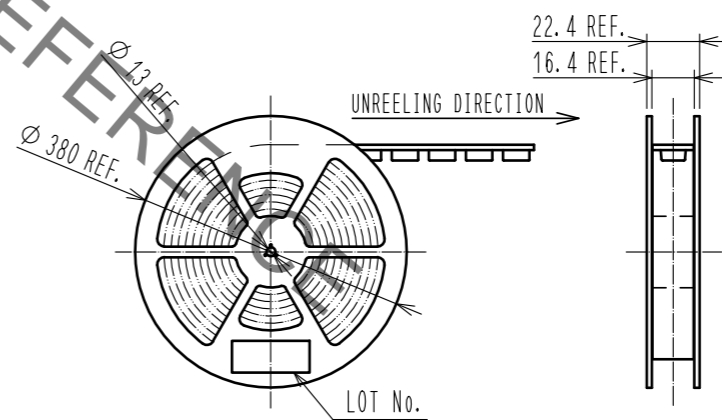
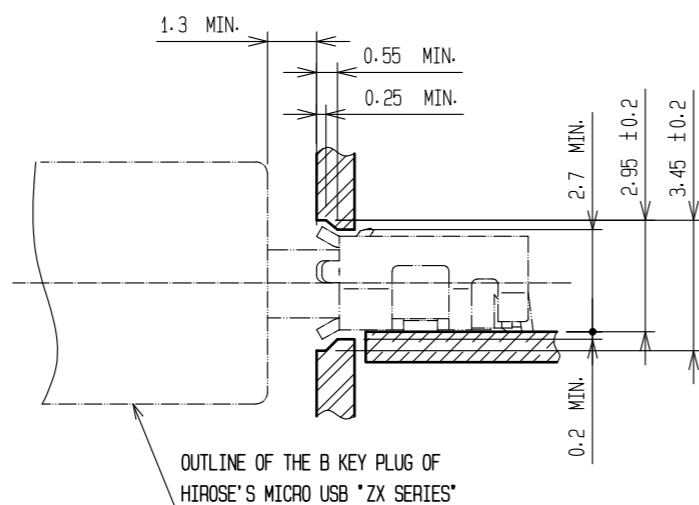
PANEL CUTOUT FOR REFERENCE



③ DRAWING FOR PACKING(FREE)



MATED WITH CORRESPONDING PLUG



<b>HRS</b>	DRAWING NO.	EDC-126863-30-00
	PART NO.	ZX62D-B-5PA8(30)
	CODE NO.	CL242-0056-3-30
		△ 2/2