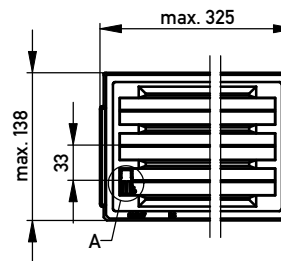
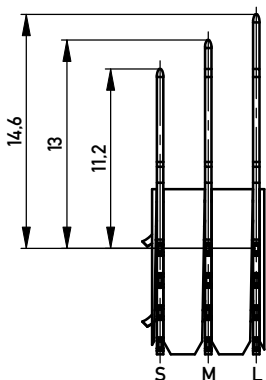


Kontaktübersicht:  
contacts overview

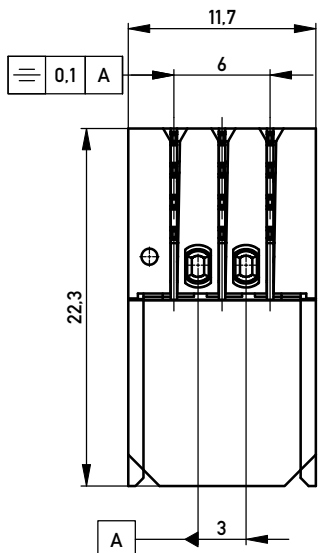
L = lang / long  
M = mittel / middle  
S = kurz / short



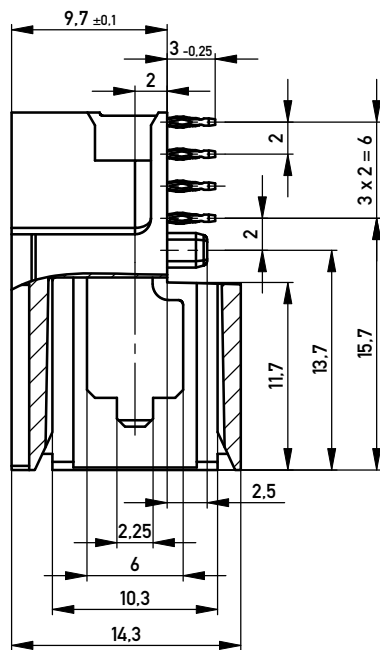
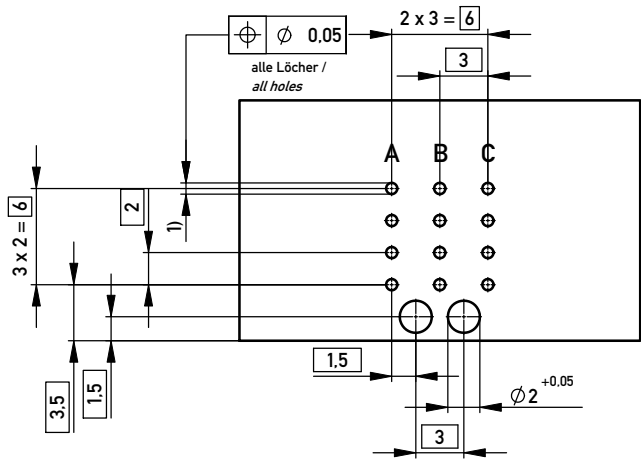
M 1.5

verpackt in Tray  
VPE: 72 St.

tray packaging  
packaging unit 72 pcs.



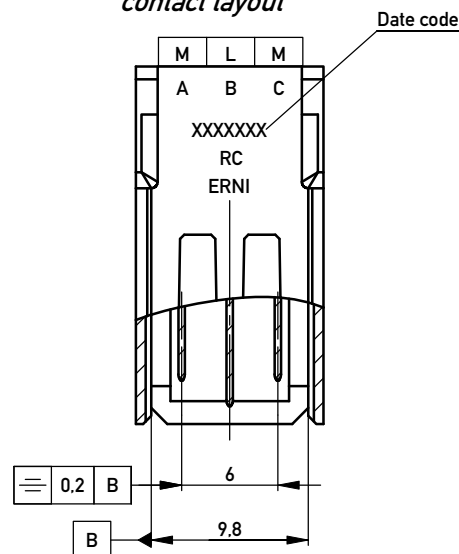
Lochbild für Leiterplatte /  
Board hole pattern



1)  $\varnothing 0,6 \pm 0,05$  Durchmesser des metallisierten Loches  
 $\varnothing 0,6 \pm 0,05$  Diameter of finished plated-through hole

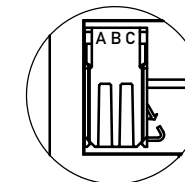
Schichtaufbau im metallisierten Loch siehe  
Zeichnung 114406 / 164062 Nr.1  
Metal plating of plated-through hole see  
drawing 114406 / 164062 No.1

Bestückungsplan /  
contact layout



Date code

DETAIL A  
MAßSTAB 1 : 1



Gehäuse / housing: PBTP grau 30% GF / PBTP grey 30% GF  
Kontakte / contacts: Phosphor Bronze / phosphor bronze

Oberflächenbeschichtung / plating:  
Kontaktbereich / mating area: 0.65µm PdNi, 0.1µm Au  
Anschlussbereich / termination: 1.5-3µm Ni, 0.5-2µm Sn matt

Anforderungsstufe 2 / class 2

Information:		Tolerances	Scale 3:1		
All rights reserved. Only for Information. To ensure that this is the latest version of this drawing, please contact one of the ERNI companies before using.		 All Dimensions in mm	Designation		
Subject to modification without prior notice. Drawing will not be updated.		<b>ERmet Messerleiste PM 14,3</b> <b>ERmet Male PM 14,3</b>			1
www.ERNI.com		<b>114402</b>			A3
k	19.11.2010	Class			ERMPM
Index	Date				

Copyright by ERNI GmbH.  
Proprietary notice pursuant to ISO 16016 to be observed.