

CD4543BM/CD4543BC BCD-to-7-Segment Latch/Decoder/Driver for Liquid Crystals

General Description

The CD4543BM/CD4543BC is a monolithic CMOS BCD-to-7-segment latch/decoder/driver for use with liquid crystal and other types of displays. The circuit provides the functions of a 4-bit storage latch and an 8421 BCD-to-7-segment decoder and driver. The device has the capability to invert the logic levels of the output combination. The phase (Ph), blanking (BI) and latch disable (LD) inputs are used to reverse the truth table phase, blank the display, and store a BCD code, respectively. For liquid crystal (LC) readouts, a square wave is applied to the Ph input of the circuit and the electrically common backplane of the display, and the outputs of the circuit are connected directly to the segments of the LC readout. For other types of readouts, such as light-emitting diode (LED), incandescent, gas discharge, and fluorescent readouts, connection diagrams are given on this data sheet.

All inputs are protected against static discharge by diode clamps to V_{DD} and V_{SS} .

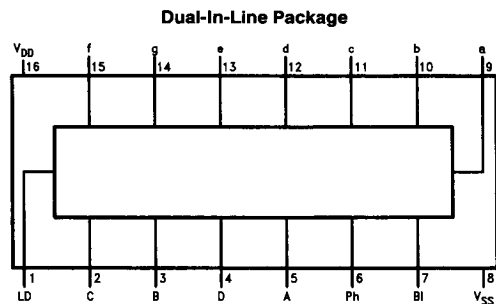
Features

- Wide supply voltage range 3.0V to 18V
- High noise immunity 0.45 V_{DD} (typ.)
- Low power TTL compatibility Fan out of 2 driving 74L or 1 driving 74LS
- Low power dissipation 50 nA/package (typ.) at $V_{DD} = 5.0V$
- Latch storage
- Blanking input
- Blank for all illegal inputs
- Direct-drive LCD, LED and VF displays
- Pin-for-pin replacement for CD4056B (with pin 7 tied to V_{SS})
- Pin-for-pin replacement for Motorola MC14543B

Applications

- Instrument (e.g., counter, DVM, etc.) display driver
- Computer/calculator display driver
- Cockpit display driver
- Various clock, watch, and timer users

Connection Diagram and Truth Table



Top View

Order Number CD4543B*

*Please look into Section 8, Appendix D for availability of various package types.

Inputs							Outputs							
LD	BI	Ph*	D	C	B	A	a	b	c	d	e	f	g	Display
X	1	0	X	X	X	X	0	0	0	0	0	0	0	Blank
1	0	0	0	0	0	0	1	1	1	1	1	1	0	0
1	0	0	0	0	0	1	0	1	1	0	0	0	0	1
1	0	0	0	0	1	0	1	1	0	1	1	0	1	2
1	0	0	0	0	1	1	1	1	1	1	0	0	1	3
1	0	0	0	1	0	0	0	1	1	0	0	1	1	4
1	0	0	0	1	0	1	1	0	1	1	0	1	1	5
1	0	0	0	1	1	0	1	0	1	1	1	1	1	6
1	0	0	0	1	1	1	1	1	1	0	0	0	0	7
1	0	0	1	0	0	0	1	1	1	1	1	1	1	8
1	0	0	1	0	0	1	1	1	1	0	1	1	1	9
1	0	0	1	0	1	0	0	0	0	0	0	0	0	Blank
1	0	0	1	0	1	1	0	0	0	0	0	0	0	Blank
1	0	0	1	1	0	0	0	0	0	0	0	0	0	Blank
1	0	0	1	1	1	1	0	0	0	0	0	0	0	Blank
0	0	0	X	X	X	X				**				**
†	†	1				†	Inverse of Output Combinations Above						Display as Above	

X = Don't care
 † = Above combinations
 * = For liquid crystal readouts, apply a square wave to Ph.
 For common cathode LED readouts, select Ph = 0.
 For common anode LED readouts, select Ph = 1.
 ** = Depends upon the BCD code previously applied when LD = 1.

Display Format



Absolute Maximum Ratings (Notes 1 & 2)

If Military/Aerospace specified devices are required, contact the National Semiconductor Sales Office/Distributors for availability and specifications.

DC Supply Voltage (V_{DD})	-0.5 V_{DC} to +18 V_{DC}
Input Voltage (V_{IN})	-0.5 V_{DC} to V_{DD} + 0.5 V_{DC}
Storage Temp. Range (T_S)	-65°C to +150°C
Power Dissipation (P_D)	
Dual-In-Line	700 mW
Small Outline	500 mW
Lead Temperature (T_L)	
(Soldering, 10 seconds)	260°C

Recommended Operating Conditions (Note 2)

DC Supply Voltage (V_{DD})	3 V_{DC} to 15 V_{DC}
Input Voltage (V_{IN})	0 V_{DC} to V_{DD} V_{DC}
Operating Temperature Range (T_A)	
CD4543BM	-55°C to +125°C
CD4543BC	-40°C to +85°C

DC Electrical Characteristics CD4543BM (Note 2)

Symbol	Parameter	Conditions	-55°C		+25°C			+125°C		Units
			Min	Max	Min	Typ	Max	Min	Max	
I_{DD}	Quiescent Device Current	$V_{DD} = 5V, V_{IN} = V_{DD}$ or V_{SS}		5			5	150	μA	
		$V_{DD} = 10V, V_{IN} = V_{DD}$ or V_{SS}		10		10	300	μA		
		$V_{DD} = 15V, V_{IN} = V_{DD}$ or V_{SS}		20		20	600	μA		
V_{OL}	Low Level Output Voltage	$V_{DD} = 5V$		0.05		0	0.05	0.05	V	
		$V_{DD} = 10V$		0.05		0	0.05	0.05	V	
		$V_{DD} = 15V$		0.05		0	0.05	0.05	V	
V_{OH}	High Level Output Voltage	$V_{DD} = 5V$	4.95		4.95	5	4.95		V	
		$V_{DD} = 10V$	9.95		9.95	10	9.95		V	
		$V_{DD} = 15V$	14.95		14.95	15	14.95		V	
V_{IL}	Low Level Input Voltage	$V_{DD} = 5V, V_O = 0.5V$ or 4.5V		1.5			1.5	1.5	V	
		$V_{DD} = 10V, V_O = 1V$ or 9V		3.0			3.0	3.0	V	
		$V_{DD} = 15V, V_O = 1.5V$ or 13.5V		4.0			4.0	4.0	V	
V_{IH}	High Level Input Voltage	$V_{DD} = 5V, V_O = 0.5V$ or 4.5V	3.5		3.5		3.5		V	
		$V_{DD} = 10V, V_O = 1V$ or 9V	7.0		7.0		7.0		V	
		$V_{DD} = 15V, V_O = 1.5V$ or 13.5V	11.0		11.0		11.0		V	
I_{OL}	Low Level Output Current (Note 3)	$V_{DD} = 5V, V_O = 0.4V$	0.64		0.51		0.36		mA	
		$V_{DD} = 10V, V_O = 0.5V$	1.6		1.3		0.9		mA	
		$V_{DD} = 15V, V_O = 1.5V$	4.2		3.4		2.4		mA	
I_{OH}	High Level Output Current (Note 3)	$V_{DD} = 5V, V_O = 4.6V$	-0.64		-0.51		-0.36		mA	
		$V_{DD} = 10V, V_O = 9.5V$	-1.6		-1.3		-0.9		mA	
		$V_{DD} = 15V, V_O = 13.5V$	-4.2		-3.4		-2.4		mA	
I_{IN}	Input Current	$V_{DD} = 15V, V_{IN} = 0V$		-0.1		-10 ⁻⁵	-0.1		μA	
		$V_{DD} = 15V, V_{IN} = 15V$		0.1		10 ⁻⁵	0.1	1.0	μA	

DC Electrical Characteristics CD4543BC (Note 2)

Symbol	Parameter	Conditions	-40°C		+25°C			+85°C		Units
			Min	Max	Min	Typ	Max	Min	Max	
I_{DD}	Quiescent Device Current	$V_{DD} = 5V, V_{IN} = V_{DD}$ or V_{SS}		20			20	150	μA	
		$V_{DD} = 10V, V_{IN} = V_{DD}$ or V_{SS}		40			40	300	μA	
		$V_{DD} = 15V, V_{IN} = V_{DD}$ or V_{SS}		80			80	600	μA	
V_{OL}	Low Level Output Voltage	$V_{DD} = 5V$		0.05		0	0.05	0.05	V	
		$V_{DD} = 10V$		0.05		0	0.05	0.05	V	
		$V_{DD} = 15V$		0.05		0	0.05	0.05	V	
V_{OH}	High Level Output Voltage	$V_{DD} = 5V$	4.95		4.95	5	4.95		V	
		$V_{DD} = 10V$	9.95		9.95	10	9.95		V	
		$V_{DD} = 15V$	14.95		14.95	15	14.95		V	
V_{IL}	Low Level Input Voltage	$V_{DD} = 5V, V_O = 0.5V$ or 4.5V		1.5			1.5	1.5	V	
		$V_{DD} = 10V, V_O = 1V$ or 9V		3.0			3.0	3.0	V	
		$V_{DD} = 15V, V_O = 1.5V$ or 13.5V		4.0			4.0	4.0	V	
V_{IH}	High Level Input Voltage	$V_{DD} = 5V, V_O = 0.5V$ or 4.5V	3.5		3.5		3.5		V	
		$V_{DD} = 10V, V_O = 1V$ or 9V	7.0		7.0		7.0		V	
		$V_{DD} = 15V, V_O = 1.5V$ or 13.5V	11.0		11.0		11.0		V	
I_{OL}	Low Level Output Current (Note 3)	$V_{DD} = 5V, V_O = 0.4V$	0.52		0.44		0.36		mA	
		$V_{DD} = 10V, V_O = 0.5V$	1.3		1.1		0.9		mA	
		$V_{DD} = 15V, V_O = 1.5V$	3.6		3.0		2.4		mA	

DC Electrical Characteristics CD4543BC (Note 2) (Continued)

Symbol	Parameter	Conditions	-40°C		+25°			+85°C		Units
			Min	Max	Min	Typ	Max	Min	Max	
I _{OH}	High Level Output Current (Note 3)	V _{DD} = 5V, V _O = 4.6V	-0.52		-0.44			-0.36		mA
		V _{DD} = 10V, V _O = 9.5V	-1.3		-1.1			-0.9		mA
		V _{DD} = 15V, V _O = 13.5V	-3.6		-3.0			-2.4		mA
I _{IN}	Input Current	V _{DD} = 15V, V _{IN} = 0V		-0.3		-10 ⁻⁵	-0.3		-1.0	μA
		V _{DD} = 15V, V _{IN} = 15V		0.3		10 ⁻⁵	0.3		1.0	μA

AC Electrical Characteristics* T_A = 25°C, C_L = 50 pF, V_{SS} = 0, unless otherwise specified

Symbol	Parameter	Conditions	Min	Typ	Max	Units
t _r	Output Rise Time	V _{DD} = 5V		100	200	ns
		V _{DD} = 10V		50	100	ns
		V _{DD} = 15V		40	80	ns
t _f	Output Fall Time	V _{DD} = 5V		100	200	ns
		V _{DD} = 10V		50	100	ns
		V _{DD} = 15V		40	80	ns
t _{PLH}	Turn-ON Propagation Delay Time	V _{DD} = 5V		450	1100	ns
		V _{DD} = 10V		170	440	ns
		V _{DD} = 15V		110	330	ns
t _{PHL}	Turn-OFF Propagation Delay Time	V _{DD} = 5V		500	1100	ns
		V _{DD} = 10V		180	440	ns
		V _{DD} = 15V		120	330	ns
t _{SET-UP}	Set-Up Time	V _{DD} = 5V		-5	80	ns
		V _{DD} = 10V		-2	30	ns
		V _{DD} = 15V		0	20	ns
t _{HOLD}	Hold Time	V _{DD} = 5V		30	120	ns
		V _{DD} = 10V		20	45	ns
		V _{DD} = 15V		15	30	ns
PW _{LD}	Latch Disable Pulse Width	V _{DD} = 5V		50	250	ns
		V _{DD} = 10V		30	100	ns
		V _{DD} = 15V		20	80	ns
C _{IN}	Input Capacitance	Per Input		5	7.5	pF
C _{PD}	Power Dissipation Capacitance	See C _{PD} Measurement Waveforms (Note 4)		300		pF

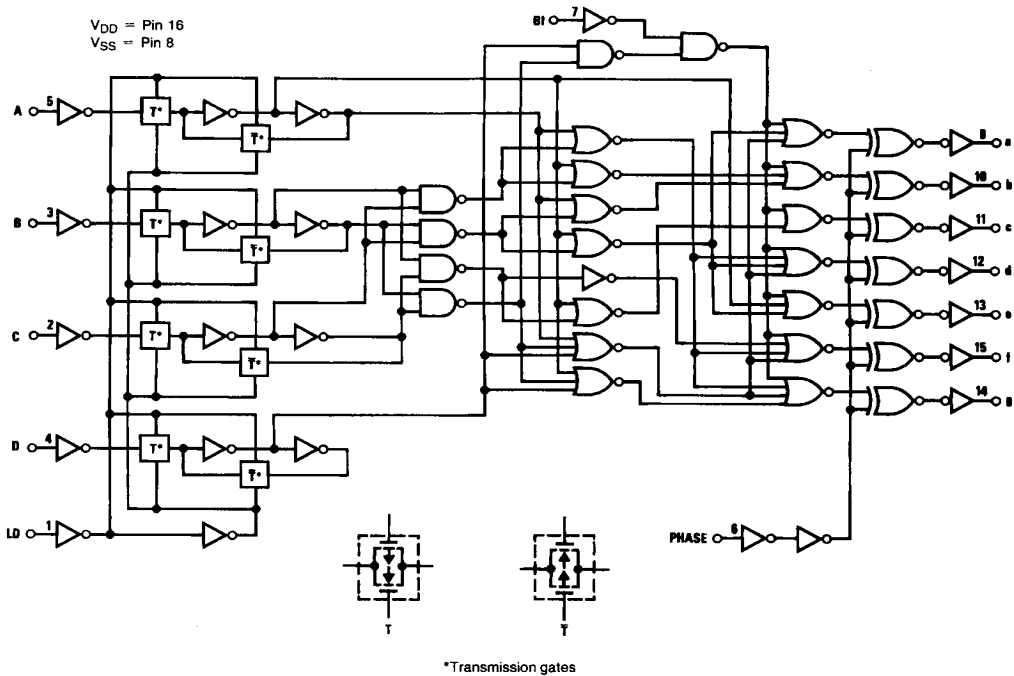
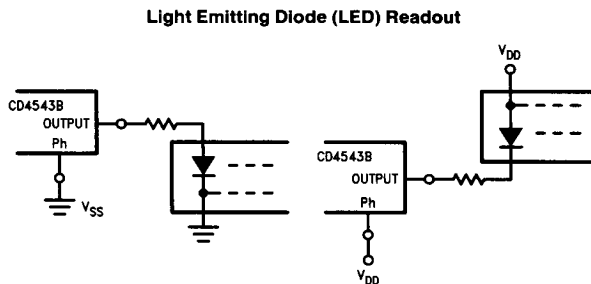
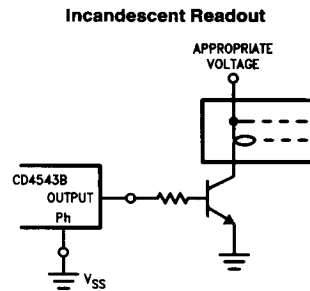
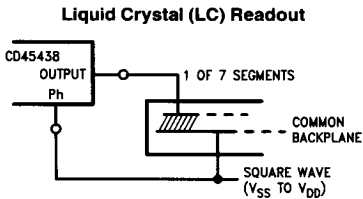
*AC Parameters are guaranteed by DC correlated testing.

Note 1: "Absolute Maximum Ratings" are those values beyond which the safety of the device cannot be guaranteed; they are not meant to imply that the devices should be operated at these limits. The tables of "Recommended Operating Conditions" and "Electrical Characteristics" provide conditions for actual device operation.

Note 2: V_{SS} = 0V unless otherwise specified.

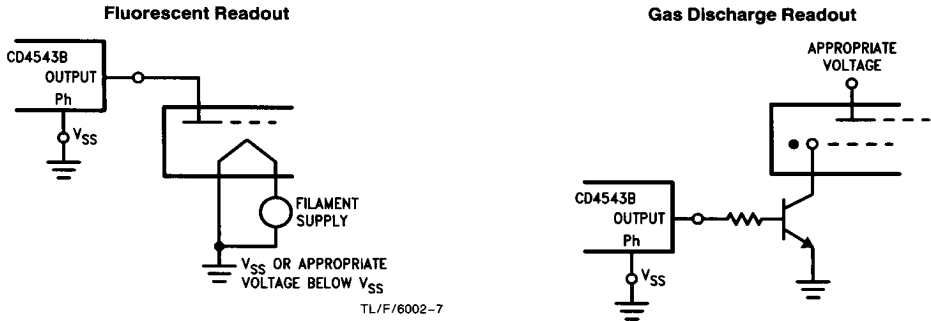
Note 3: I_{OH} and I_{OL} are tested one output at a time.

Note 4: C_{PD} determines the no load AC power consumption of a CMOS device. For a complete explanation, see "MM54C/74C Family Characteristics" Application Note AN-90.

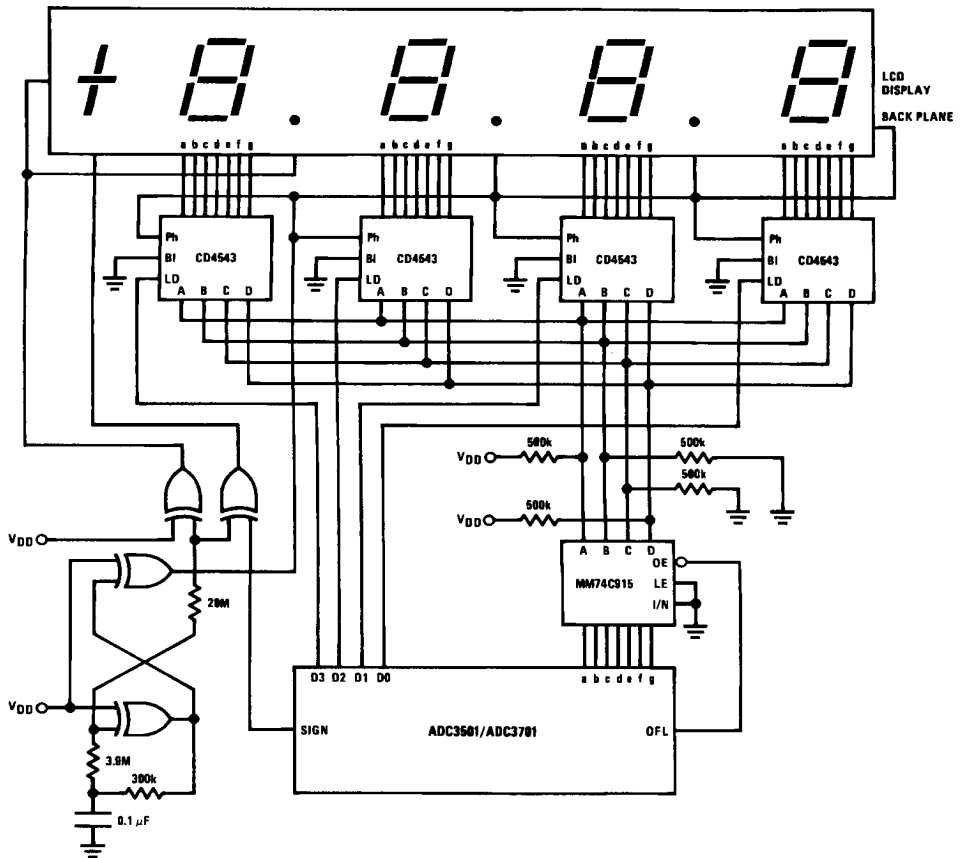
Logic Diagram

Typical Applications


Note: Bipolar transistors may be added for gain (for $V_{DD} \leq 10V$ or $I_{OUT} \geq 10mA$)

Typical Applications (Continued)

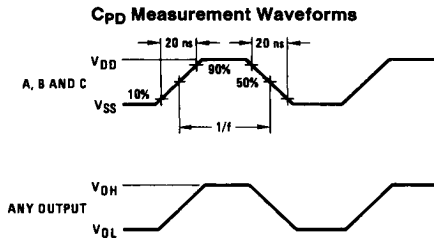


3½-Digit DVM with LCD Display



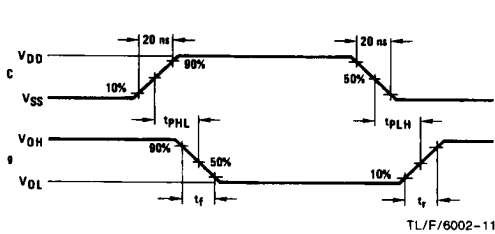
Display 9.999 when overflowed. All digits can also be blanked at overflow by typing OFL to BI on the CD4543's.

Switching Time Waveforms

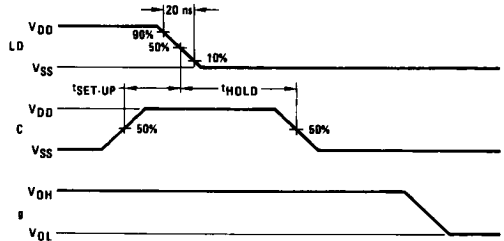


Inputs BI and Ph low, and inputs D and LD high. f in respect to a system clock.
All outputs connected to respective C_L loads.

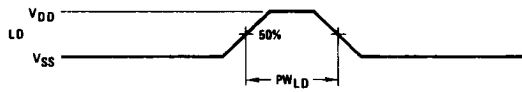
Dynamic Signal Waveforms



(a) Inputs D, Ph and BI Low, and Inputs A, B and LD High



(b) (Inputs D, Ph and BI Low, and Inputs A and B High



(c) Data DCBA Strobe into Latches