

螺栓式汽车保险丝座

MIDI FUSEHOLDER

电器特性 Electrical :MAX 200A 60V dc

应用温度 Application temperatures: -40°C to +125°C

适用孔径 Fuse Mounting:M5 Threaded Stud and Hex Nuts

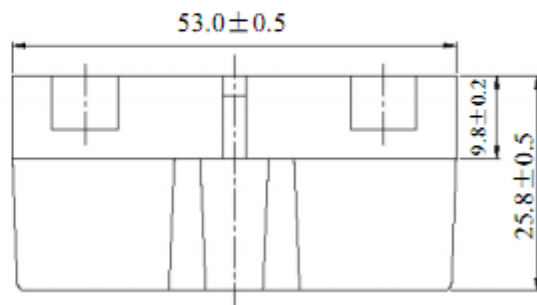
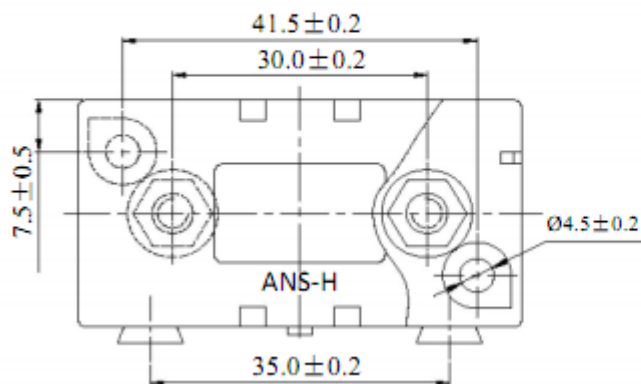
螺杆扭力 Torque Requirements:M5 Nut 4.5 ± 1Newton meters

螺柱材质 Material : 不锈钢 Pig iron nickel plating

绝缘体材质 Insulator material: 尼龙 PA66

尺寸单位 Dimensionless Units: mm

尺寸公差 Dimension Tolerance: ±0.25



TOLERANCE UNLESS OTHERWISE

X.	±0.30	X°	±5°
.X	±0.20	.X°	±2°
.XX	±0.08	.XX°	±1°
.XXX	±0.03	.XXX°	±0.5°

DRAWN

CK tan

CHKD

APPD

VIEW



XFCN兴飞连接器有限公司
CONNECTORS XFCN CONNECTORS CO., LTD.

PRODUCT NAME

螺栓式汽车保险丝座

PART. NO.

ANS-H

SHEET

1/1

DATE

2010. 4. 12

UNITS

mm

SCALE

1:1

DWG. NO.

009

A0

VER

MODIFICATION

DRAW

DATE