

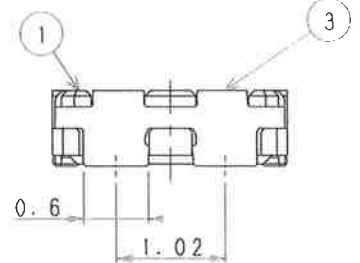
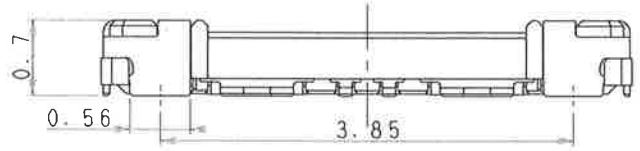
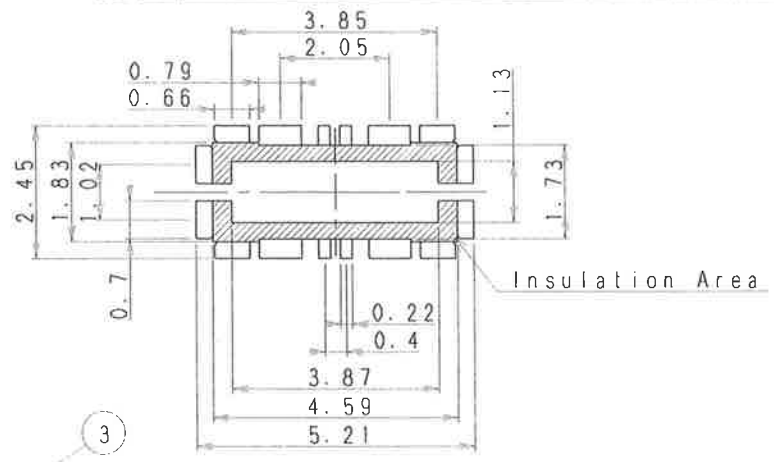
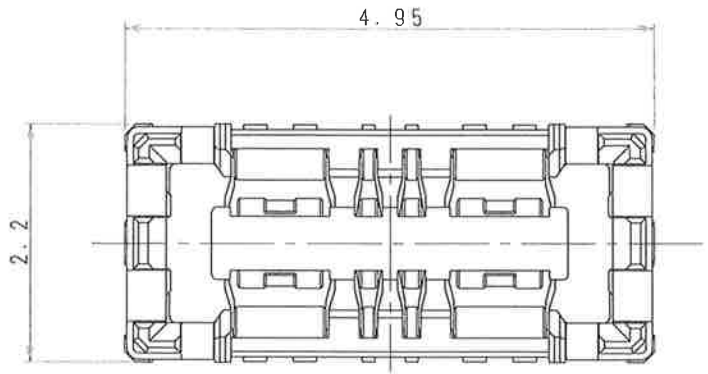
3 Reflect shape

10. 5. 7 J.Yatsurugi T.Koa

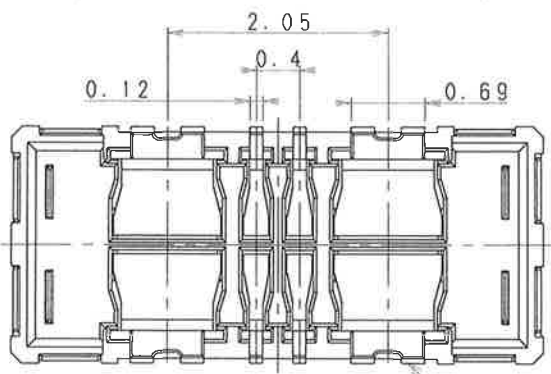
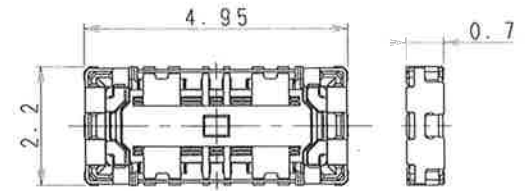
MARK  
記号  
△ x1  
△ x2

REVISION  
来 歴  
△ x1 ADD Note4  
△ x2 Error Correction

DATE SIGN APP.  
年月日 担当 承認  
17. 4. 12 S.Uruwashi  
17. 12. 14 S.Uruwashi



P. C. BOARD LAYOUT (S=10:1)  
Tolerance: ±0.03



NOTE

1. SPEC: CPBC308B0301F
2. PACKAGE: CPBC308N0301F
3. COPLANARITY: 0.08MAX
- △ 4. Plating  
Substrate: Ni1.3μmMIN  
Contact point: Au0.1μmMIN  
Soldering point: Au0.03μmMIN

DIMENSIONS	TOLERANCE
X. X	±0.2
X. XX	±0.10
X. XXX	±0.050
ANGLES	±0.5°

3	501CPB-065-ZZF	HOLD DOWN	Cu ALLOY l=0.06	AuPLATE	2	
2	415CPB-196-ZZF	CONTACT	Cu ALLOY l=0.08	AuPLATE	8	
1	101CPB-225-08F	HOUSING	LCP	BLACK	1	
ITEM 部番	PART NO. 番	NAME 名称	MATERIAL 材質	FINISH 処	Q'TY 員数	NOTE 備考
UNIT 単位	mm	SCALE 尺度	30:1	DESCRIPTION 名称	FB-9 Socket	ISSUED 出
APPROVED 承認	CHECKED 検	TRACED 与	DESIGNED 設計	463B	SOCKET	SUPPLY SPECIFICATION
May 2, '18 T.Koa	May 7, '18 Y. Ishida		May 07, '18 J. Yatsurugi	DRAWING NO. 番		MAY 07, 2018
Mar 22, '17			Mar 22, '17	CPBC308-0301F		DESIGN DEPT.

CONFIDENTIAL