

## Capless 3V<sub>rms</sub> Line Driver with Adjustable Gain

### FEATURES

- Capless Structure
- Eliminates Pop/Clicks
- Eliminates Output DC-Blocking Capacitors
- Provides Flat Frequency Response from DC to 20kHz
- Low Noise and THD
- Typical SNR=90dB
- Typical THD+N=0.01%(f=1kHz)
- 3V<sub>rms</sub> Output Voltage into 2.5kΩ Load with 5V Supply Voltage
- Differential Input

### APPLICATIONS

- Set-Top Box
- LCD TV
- Blue-Ray DVD-Players
- Home Theater in a Box

### GENERAL DESCRIPTION

The TMI8320A is a 3V<sub>rms</sub> pop/click-free stereo line driver designed to allow the removal of the output DC-blocking capacitors for reduced component count and cost. The device is ideal for single supply electronics when size and cost are critical design parameters.

The TMI8320A is capable of driving 3V<sub>rms</sub> into a 2.5kΩ load with 5V supply voltage. The device has differential inputs and uses external gain setting resistors that supports a gain range of ±1V/V to ±10V/V. The TMI8320A has built-in shutdown control for pop/click-free on/off control.

Using the TMI8320A in audio products can reduce component count compared to traditional methods of generating a 3V<sub>rms</sub> output. The TMI8320A doesn't require a power supply greater than 5V to generate an 8.5V<sub>pp</sub> output, nor does the device require a split rail power supply. The TMI8320A integrates a charge pump to generate a negative supply rail that provides a clean, pop/click-free ground-biased 3V<sub>rms</sub> output.

The TMI8320A is available in Green TSSOP14 package. It operates over an ambient temperature range of -40°C to 85°C.

## TYPICAL APPILCATION

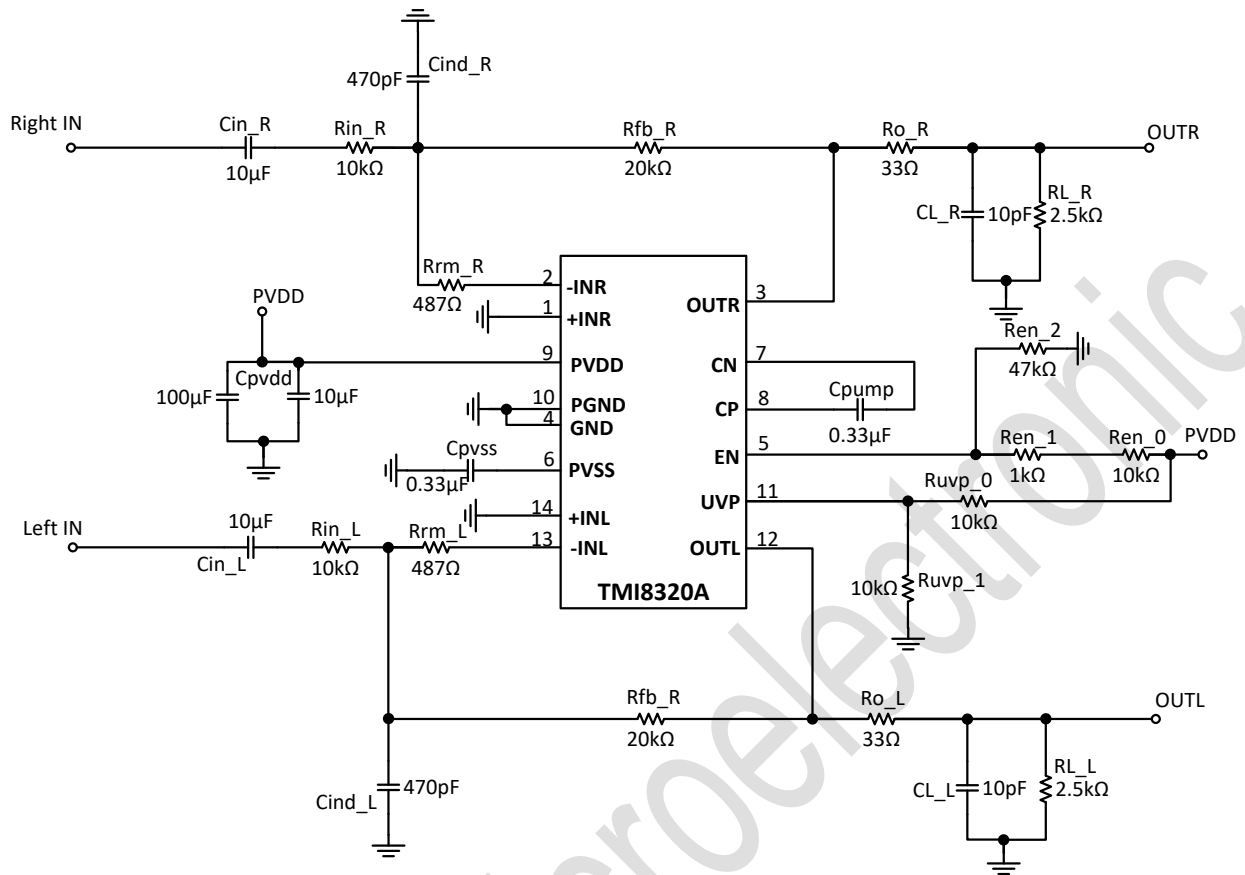
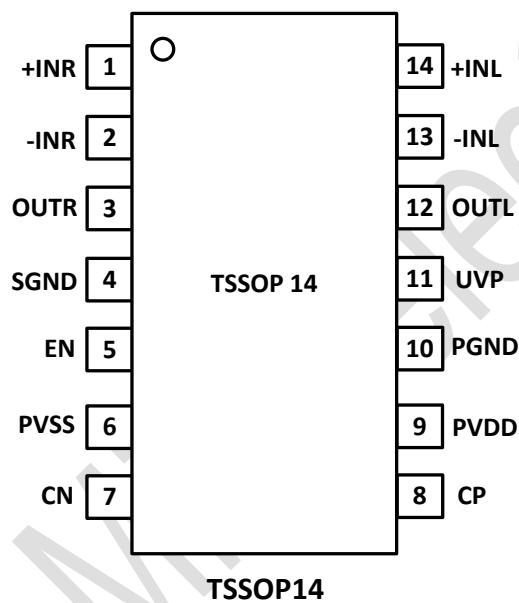


Figure 1. TMI8320A Application Circuit

**ABSOLUTE MAXIMUM RATINGS** (Note 1)

Parameter	Value	Unit
Supply Voltage	-0.3~6	V
Input Voltage	Vss-0.3 to Vdd+0.3	V
Minimum Load Impedance (R <sub>L</sub> )	600	Ω
EN to GND	-0.3 to Vdd+0.3	V
Junction Temperature (Note2)	150	°C
Storage Temperature Range	-65~150	°C
Lead Temperature (Soldering,10s)	260	°C

**PIN CONFIGURATION**



**Top Mark: T8320A/YYXXX (T8320A: Device Code, YYXXX: Inside code)**

Part Number	Package	Top mark	Quantity/ Reel
TMI8320A	TSSOP14	T8320A/YYXXX	3000

TMI8320A devices are Pb-free and RoHS compliant.

## PIN FUNCTIONS

Pin No.	Name	Function
1	+INR	Right Channel OPAMP Positive input (connected to GND)
2	-INR	Right Channel OPAMP Negative input
3	OUTR	Right Channel OPAMP Output
4	SGND	Signal Ground
5	EN	Enable Input. Active high
6	PVSS	Negative Supply Voltage Output
7	CN	Charge Pump Flying Capacitor Negative Terminal
8	CP	Charge Pump Flying Capacitor Positive Terminal
9	PVDD	Positive Supply
10	PGND	Power Ground
11	UVP	Under voltage Protection Input
12	OUTL	Left Channel OPAMP Output
13	-INL	Left Channel OPAMP Negative Input
14	+INL	Left Channel OPAMP Positive input (connected to GND)

## ESD RATINGS

Items	Description	Value	Unit
V <sub>ESD</sub>	Human Body Model for all pins	3000	V

JEDEC specification JS-001

## RECOMMENDED OPERATING CONDITIONS

Items	Description	Min	Max	Unit
Voltage Range	IN	3	5.5	V
T <sub>J</sub>	Operating Junction Temperature Range	-40	125	°C

**ELECTRICAL CHARACTERISTICS**
**(V<sub>DD</sub> = 5V, T<sub>A</sub> = 25°C, unless otherwise noted.)**

Symbol	Parameter	Conditions	Min	Typ	Max	Unit
V <sub>OS</sub>	Output Offset Voltage	V <sub>DD</sub> =3V to 5V		1.5	5	mV
PSRR	Power Supply Rejection Ratio	V <sub>DD</sub> =3V to 5V		90		dB
V <sub>CH</sub>	High-Level Output Voltage	V <sub>DD</sub> =3.3V, R <sub>L</sub> =2.5kΩ	3.18			V
V <sub>OL</sub>	Low-Level Output Voltage	V <sub>DD</sub> =3.3V, R <sub>L</sub> =2.5kΩ			-3.1	V
I <sub>IH</sub>	High-Level Input Current (EN)	V <sub>DD</sub> =5V, V <sub>I</sub> =V <sub>DD</sub>			1	μA
I <sub>IH</sub>	Low-Level Input Current (EN)	V <sub>DD</sub> =5V, V <sub>I</sub> =0V			1	μA
I <sub>DD</sub>	Supply Current	V <sub>DD</sub> =3.3V, No load, EN=V <sub>DD</sub>	8	11.3		mA
		V <sub>DD</sub> =5V, No load, EN=V <sub>DD</sub>		11.7	18	
		Shutdown mode, V <sub>DD</sub> =3V to 5V		0.1	0.2	
V <sub>O</sub>	Output Voltage (Outputs in Phase)	THD+N=1%, V <sub>DD</sub> =3.3V, f=1kHz, R <sub>L</sub> =2.5kΩ		2.28		V <sub>rms</sub>
		THD+N=1%, V <sub>DD</sub> =5V, f=1kHz, R <sub>L</sub> =2.5kΩ		3.50		
		THD+N=1%, V <sub>DD</sub> =5V, f=1kHz, R <sub>L</sub> =100kΩ		3.57		
THD+N	Total Harmonic Distortion Plus Noise	V <sub>O</sub> =2V <sub>rms</sub> , f=1kHz, R <sub>L</sub> =2.5kΩ		0.01		%
		V <sub>O</sub> =3V <sub>rms</sub> , f=1kHz, R <sub>L</sub> =2.5kΩ		0.01		%
X <sub>TALK</sub>	Crosstalk	V <sub>O</sub> =2V <sub>rms</sub> , f=1kHz, R <sub>L</sub> =2.5kΩ		-90		dB
		V <sub>O</sub> =3V <sub>rms</sub> , f=1kHz, R <sub>L</sub> =2.5kΩ		-88		dB
I <sub>O</sub>	Output Current Limit	V <sub>DD</sub> = 3.3V		20		mA
R <sub>IN</sub>	Input Resistor Range		1	10	47	kΩ
R <sub>FB</sub>	Feedback Resistor Range		4.7	20	100	kΩ
SR	Slew Rate			8		V/μs
C <sub>LOAD_Max</sub>	Maximum Capacitive Load			220		pF
V <sub>N</sub>	Noise Output Voltage	A-weighted, BW = 20kHz		30		μV <sub>rms</sub>
SNR	Signal to Noise Ratio	V <sub>O</sub> =3V <sub>rms</sub> , THD+N=0.1%, BW=20kHz, A-Weighted		90		dB
G <sub>BW</sub>	Unity Gain Bandwidth			5.4		MHz
A <sub>VO</sub>	Open-Loop Voltage Gain			110		dB

## ELECTRICAL CHARACTERISTICS (Continued)

Symbol	Parameter	Conditions	Min	Typ	Max	Unit
F <sub>CP</sub>	Charge Pump Frequency		300	417	540	kHz
V <sub>UVP</sub>	External Under Voltage Detection		1.05	1.15	1.25	V
I <sub>HYS</sub>	External Under Voltage Detection Hysteresis Current			4.6		μA
V <sub>EN_H</sub>	Input High Voltage Threshold	V <sub>DD</sub> =5V		1.65		V
V <sub>EN_L</sub>	Input Low Voltage Threshold	V <sub>DD</sub> =5V		0.6		V

**Note 1:** Absolute Maximum Ratings are those values beyond which the life of a device may be impaired.

**Note 2:** T<sub>J</sub> is calculated from the ambient temperature T<sub>A</sub> and power dissipation P<sub>D</sub> according to the following formula:  $T_J = T_A + (P_D) \times \theta_{JA}$ .

**FUNCTIONAL BLOCK DIAGRAM**

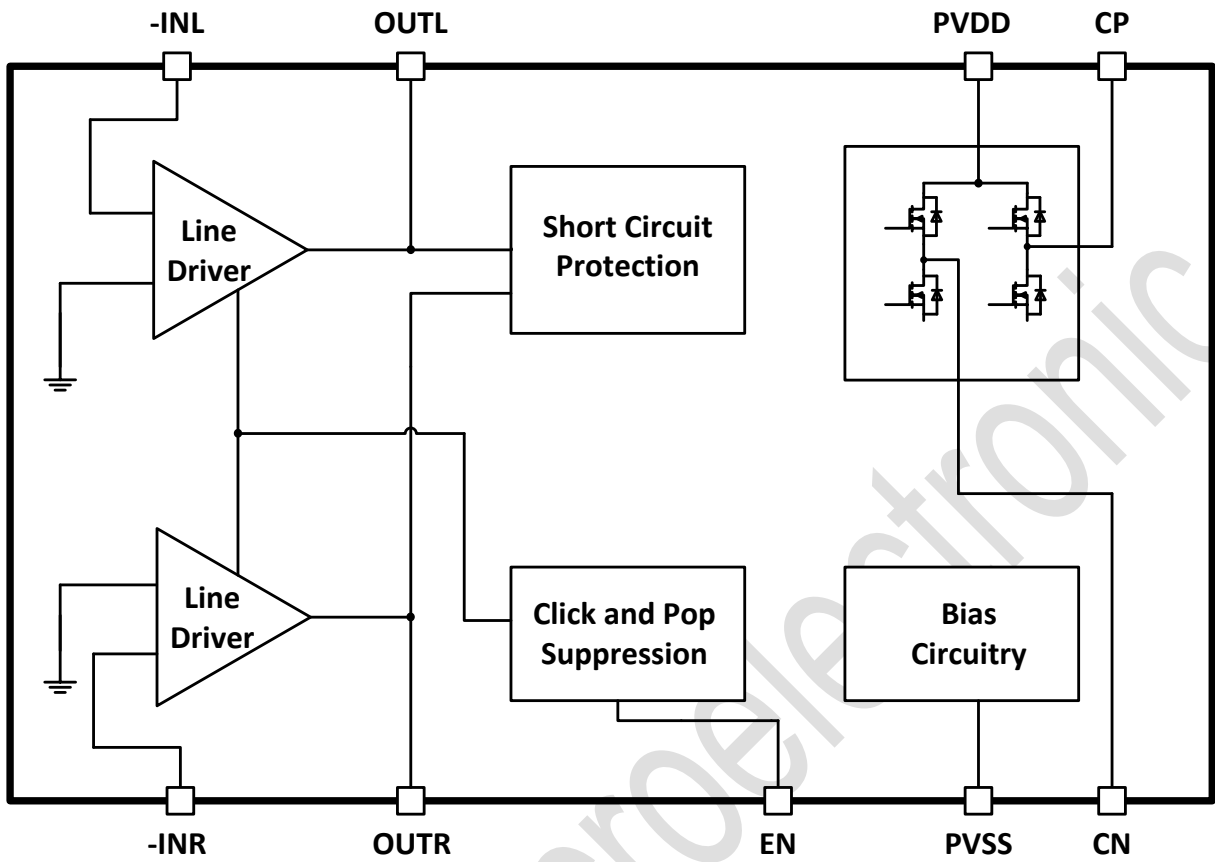
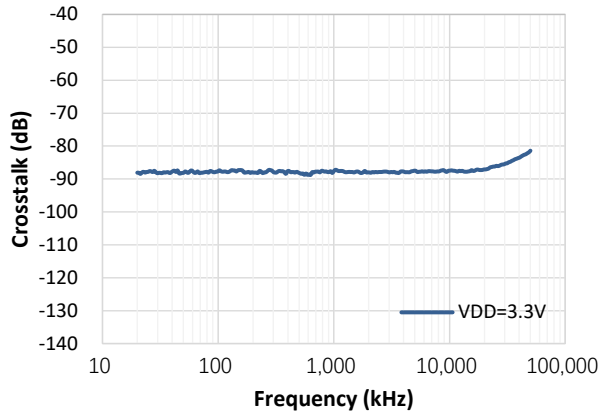


Figure 2. TM18320A Block Diagram

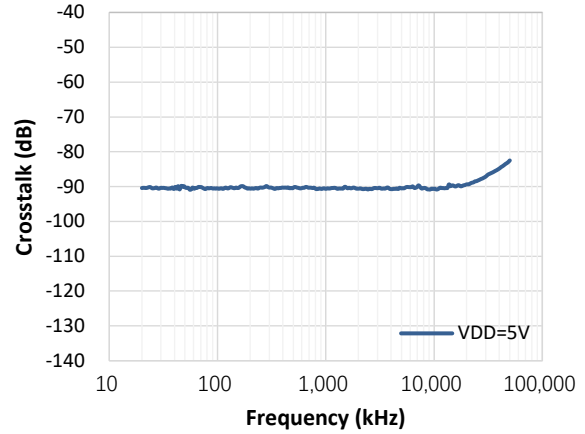
## TYPICAL PERFORMANCE CHARACTERISTICS

( $V_{DD} = 3.3V$ ,  $R_L = 2.5k\Omega$ ,  $C_{PUMP} = 0.33\mu F$ ,  $C_{PVSS} = 0.33\mu F$ ,  $C_{IN} = 10\mu F$ ,  $R_{IN} = 10k\Omega$ ,  $R_{FB} = 20k\Omega$ ,  $T_A = 25^\circ C$ , unless otherwise noted.)

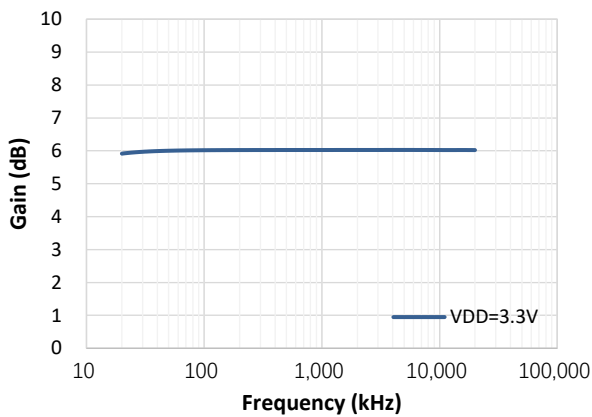
**Crosstalk at  $V_{DD}=3.3V$**



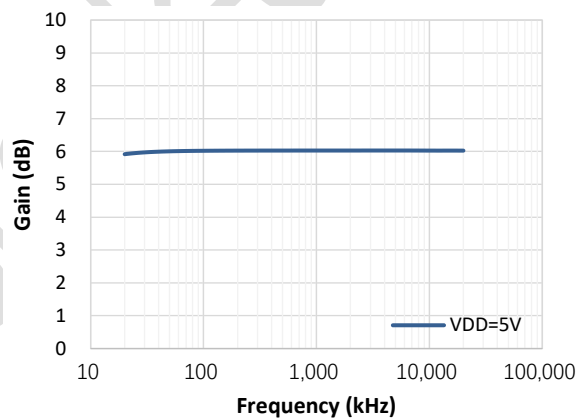
**Crosstalk at  $V_{DD}=5V$**



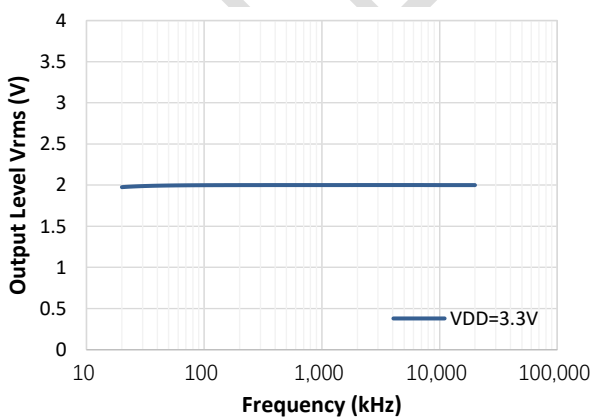
**Gain at  $V_{DD}=3.3V$**



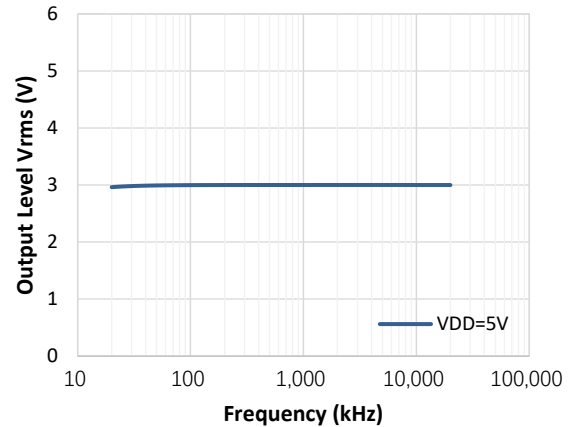
**Gain at  $V_{DD}=5V$**



**Output  $V_{rms}$  Level at  $V_{DD}=3.3V$**



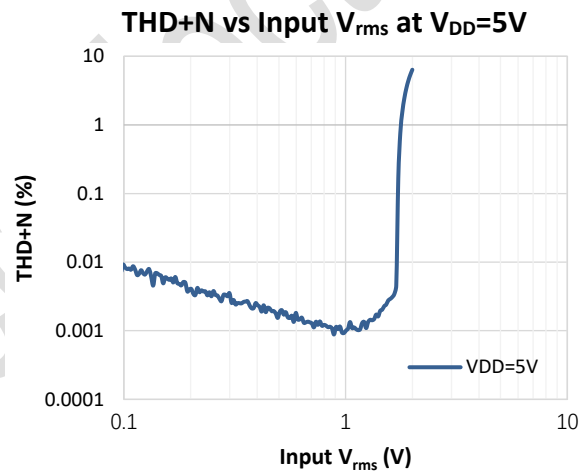
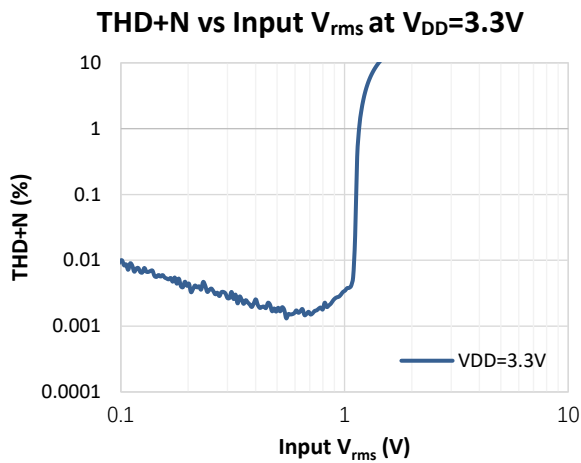
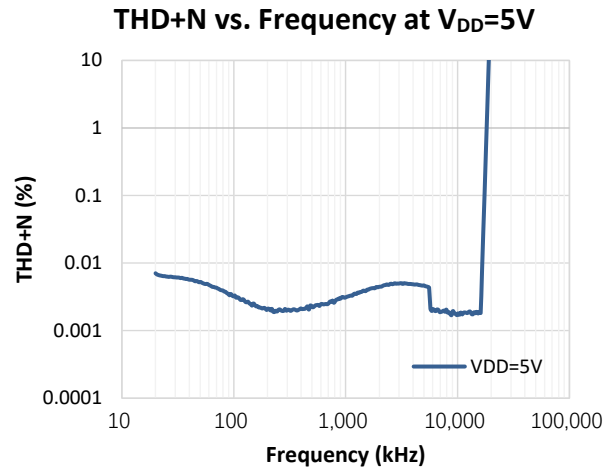
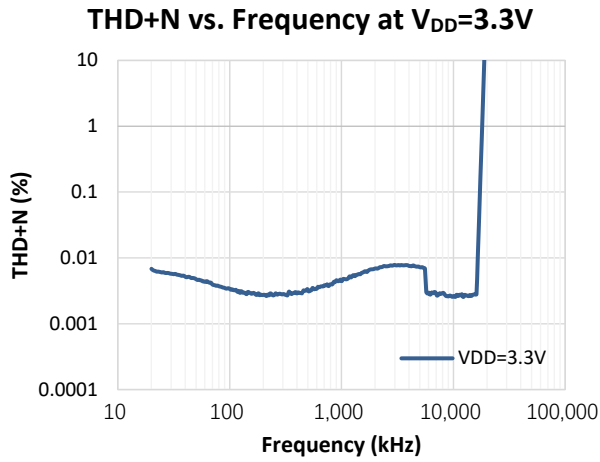
**Output  $V_{rms}$  Level at  $V_{DD}=5V$**





**TYPICAL PERFORMANCE CHARACTERISTICS** (Continuous)

( $V_{DD} = 3.3V$ ,  $R_L = 2.5k\Omega$ ,  $C_{PUMP} = 0.33\mu F$ ,  $C_{PVSS} = 0.33\mu F$ ,  $C_{IN} = 10\mu F$ ,  $R_{IN} = 10k\Omega$ ,  $R_{FB} = 20k\Omega$ ,  $T_A = 25^\circ C$ , unless otherwise noted.)



## APPLICATION INFORMATION

### Decoupling Capacitors

The TMI8320A is a capless line driver amplifier that requires adequate power supply decoupling to ensure that the noise and total harmonic distortion (THD) are low. A good low equivalent-series-resistance (ESR) ceramic capacitor, typically 1 $\mu$ F, placed as close as possible to the device PVDD lead, works best. Placing this decoupling capacitor close to the TMI8320A is important for the performance of the amplifier. For filtering lower frequency noise signals, a 10 $\mu$ F or larger capacitor placed near the audio power amplifier would also help, but it is not required in most applications because of the high PSRR of this device.

### Gain Setting Resistors Ranges

The gain setting resistors,  $R_{IN}$  and  $R_{FB}$ , must be chosen so that noise, stability and input capacitor size of the TMI8320A are kept within acceptable limits. Voltage gain is defined as  $R_{FB}$  divided by  $R_{IN}$ . Selecting values that are too low demands a large input AC coupling capacitor,  $C_{IN}$ . Selecting values that are too high increases the noise of the amplifier. Table 1 lists the recommended resistor values for different gain settings.

Input Resistor Value, $R_{IN}$	Feedback Resistor Value, $R_{FB}$	Inverting Input Gain
22k $\Omega$	22k $\Omega$	1.0V/V
20k $\Omega$	30k $\Omega$	1.5V/V
33k $\Omega$	68k $\Omega$	2.1V/V
10k $\Omega$	100k $\Omega$	10.0V/V

Table 1. Recommended Resistor Values

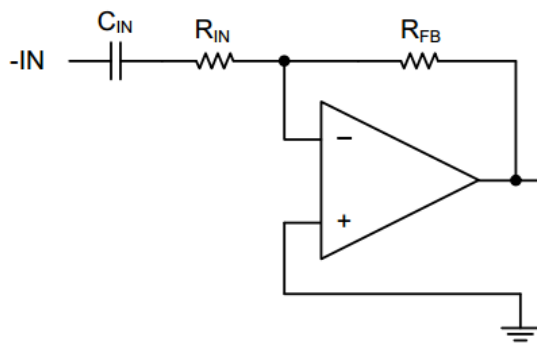


Figure 3.  $R_{IN}$ ,  $R_{FB}$  resistor

### Input-Blocking Capacitors

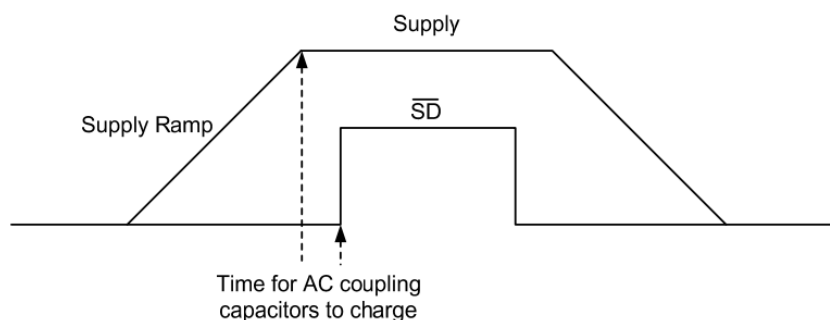
DC input-blocking capacitors are required to be added in series with the audio signal into the input pins of the TMI8320A. These capacitors block the DC portion of the audio source and allow the TMI8320A inputs to be properly biased to provide maximum performance. The input blocking capacitors also limit the DC-gain to one, limiting the DC-offset voltage at the output.

These capacitors form a high-pass filter with the input resistor,  $R_{IN}$ . The cutoff frequency is calculated using Equation 1. For this calculation, the capacitance used is the input-blocking capacitor and the resistance is the input resistor chosen from Table 1, then the frequency and/or capacitance can be determined when one of the two values are given.

$$f_{CIN} = 1 / (2\pi \times R_{IN} \times C_{IN}) \text{ or } C_{IN} = 1 / (2\pi \times f_{CIN} \times R_{IN}) \quad (\text{Equation 1})$$

### Pop-Free Power Up

Pop-free power up is ensured by keeping the SD (EN) (shutdown pin) low during power supply ramp up and down. The EN pin should be kept low until the input AC coupling capacitors are fully charged before asserting the EN pin high. This way proper pre-charge of the AC coupling is performed, and pop-free power-up is achieved. Figure below illustrates the preferred sequence.



**Figure 4. Power-Up Sequence**

### External Under Voltage Detection

External under voltage detection can be used to mute/shut down the TMI8320A before an input device can generate a pop.

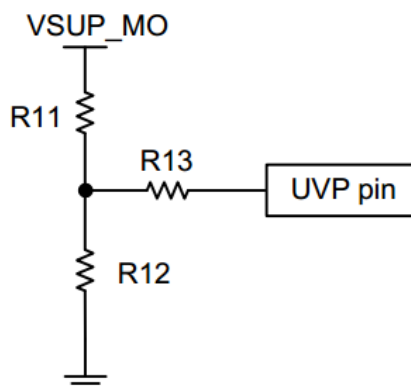
The threshold seen at the UVP pin is 1.15V. A hysteresis is introduced with a resistive divider, where thresholds for startup and shutdown are determined respectively as follows:

Startup Threshold:  $V_{UDPR} = 1.15 \times (R_{11} + R_{12}) / R_{12}$

Shutdown Threshold:  $V_{UDPF} = 1.15 \times (R_{11} + R_{12}) / R_{12} - I_{uvp} \times (R_{13} + R_{11} \parallel R_{12}) \times (R_{11} + R_{12}) / R_{12}$

Hysteresis:  $I_{uvp} \times (R_{13} + R_{11} \parallel R_{12}) \times (R_{11} + R_{12}) / R_{12}$

The  $R_{13}$  is optional. If the  $R_{13}$  is not used, the UVP pin connects to the divider center tap directly.



**Figure 5. UVP Resistors**

## Capacitive Load

The TMI8320A has the ability to drive large capacitive load up to 220pF directly, and larger capacitive loads can be accepted by adding a series resistor of 47Ω or larger.

## Gain-Setting Resistors

The gain setting resistors,  $R_{IN}$  and  $R_{FB}$ , must be placed close to the input pins to minimize the capacitive loading on these pins and to ensure maximum stability of the TMI8320A.

## Layout Consideration

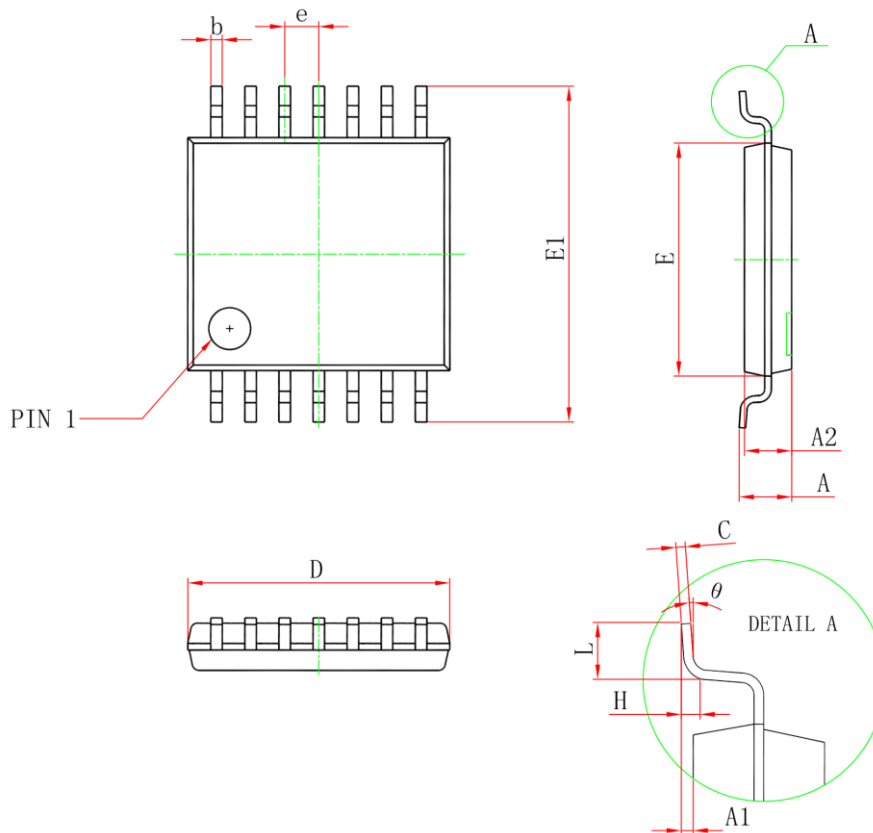
For best performance of the TMI8320A, the following guidelines must be strictly followed.

- 1) 0.1μF decoupling capacitor must be close to PGND and PVDD pins.
- 2) Capacitor can be connected between PVDD and PGND pins directly and then connect PGND pin to GND layer.

TOLL Microelectronic

**PACKAGE INFORMATION**

**TSSOP14**



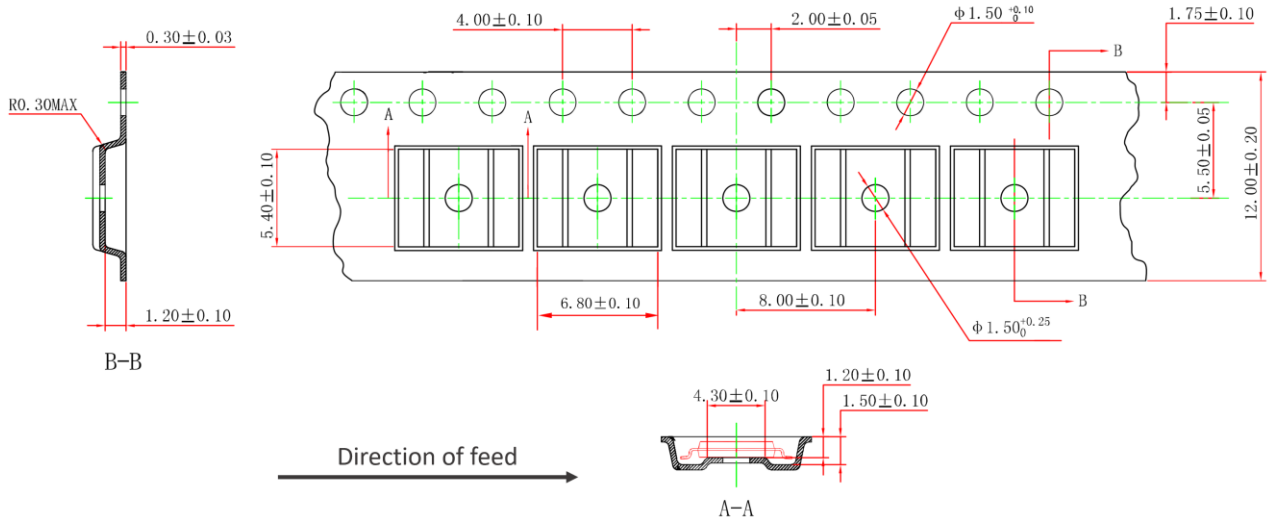
Symbol	Dimensions In Millimeters			Dimensions In Inches		
	Min	Typ	Max	Min	Typ	Max
D	4.900	5.000	5.100	0.193	0.197	0.201
E	4.300	4.400	4.500	0.169	0.173	0.177
b	0.190	0.245	0.300	0.246	0.252	0.258
c	0.090	0.145	0.200	0.004	0.006	0.008
E1	6.250	6.400	6.550	0.246	0.252	0.258
A		0.600	1.200		0.0235	0.047
A2	0.800	0.900	1.000	0.031	0.035	0.039
A1	0.050	0.100	0.150	0.002	0.004	0.006
e		0.65 BSC			0.026 BSC	
L	0.500	0.600	0.700	0.020	0.024	0.028
H		0.25 TYP			0.01 TYP	
$\theta$	1°	4°	7°	1°	4°	7°

**Note:**

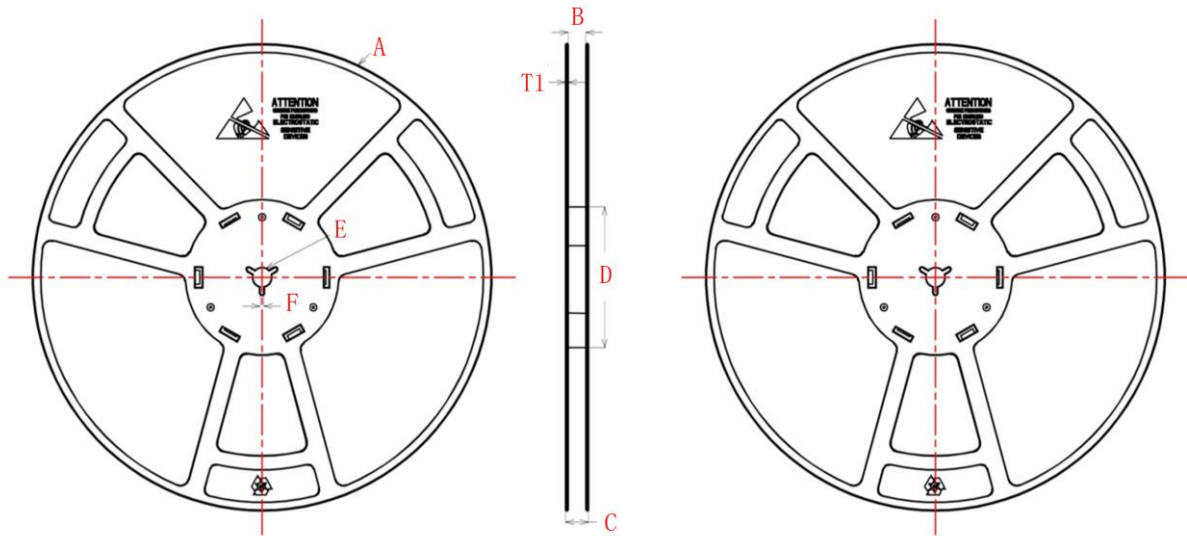
- 1) All dimensions are in millimeters.

## TAPE AND REEL INFORMATION

### TAPE DIMENSIONS:



### REEL DIMENSIONS:



Unit: mm

A	B	C	D	E	F	T1
Ø 330±1.0	12.4 <sup>+1.0</sup> <sub>-0.0</sub>	17.6 <sup>+1.0</sup> <sub>-0.0</sub>	Ø 100.0±0.5	Ø 13.0±0.2	1.9±0.4	1.9±0.2

#### Note:

- 1) All Dimensions are in Millimeter
- 2) Quantity of Units per Reel is 3000
- 3) MSL level is level 3.