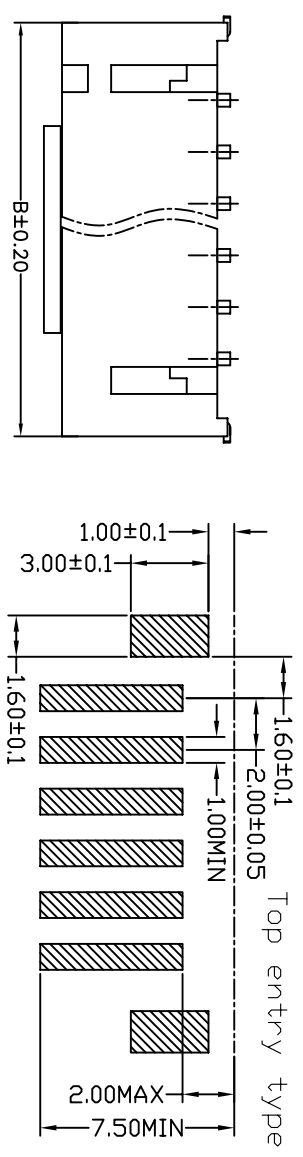
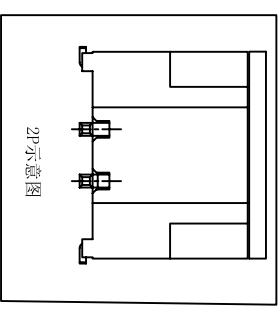
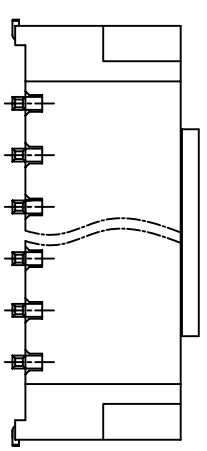
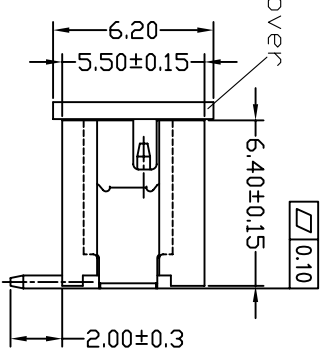
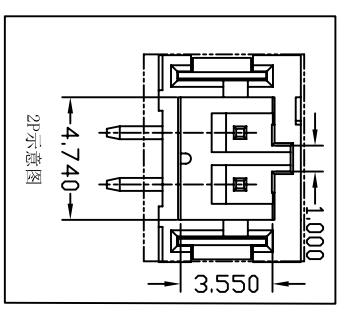
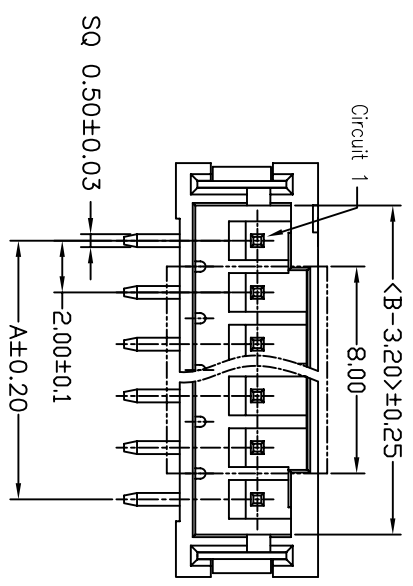


REV	ECN NO	DESCRIPTION	DATE	DESIGN
A/2		新增PIN脚规格&输入力&拔出力	18/03/29	王起春



Specifications:
 Current rating: 2A AC/DC.
 Voltage rating: 100V AC/DC
 Temperature range: -40°C~+105°C.
 Contact resistance: 10mΩ Max.
 Insulation resistance: 1000MΩ Min.
 Withstanding voltage: 800V AC/minute.
 Material: PA9T/LCP, UL94V-0.
 PIN: Brass 0.5*10.00
 Terminal/Housing Retention Force: 14.7N(1.5kgf)Min
 Terminal Insertion Force: 9.8N(1.0kgf)Max



PART NO.	Dimensions	
	A	B
02P	2.00	8.00
03P	4.00	10.00
04P	6.00	12.00
05P	8.00	14.00
06P	10.00	16.00
07P	12.00	18.00
08P	14.00	20.00
09P	16.00	22.00
10P	18.00	24.00
11P	20.00	26.00
12P	22.00	28.00
13P	24.00	30.00
14P	26.00	32.00
15P	28.00	34.00
16P	30.00	36.00

CNJM Joint More Precision electronics Co., Ltd.

DIM	TOL	DIM	TOL
X	/	X*	/
XX	0.25	XX*	
XXX	0.15	XXX*	
XXXX	0.10	XXXX*	

DRAW NO.	DATE	P/N NO.	DRAW NAME:
DESIGN	陈雪峰	CNM2001WV-S-NP	2.0mm pitch 180° wfer
CHECK	杨焯		
REVIEW			

REV. A/2	SCALE 1:1	UNIT: mm	SHEET 1 OF 1
----------	-----------	----------	--------------