

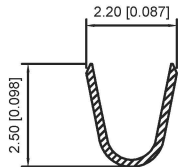
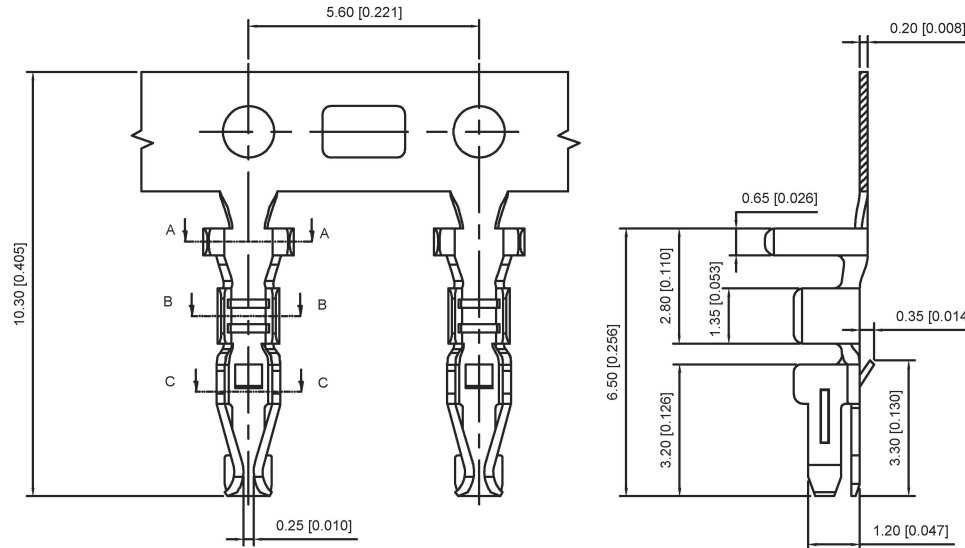
■ Specifications :

- Voltage rating: 250V AC / DC
- Current rating: 3A AC / DC
- Withstanding voltage: 800V AC/minute
- Temperature range: -25°C~+85°C
- Insulation resistance: ≥1000MΩ
- Contact resistance: ≤10mΩ
- After environmental testing: ≤20mΩ

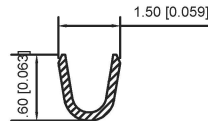
X2000 T-P SN

① ② ③ ④

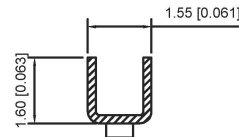
- ① Series Number
- ② Category : T-terminal
- ③ Material: P-Phosphor bronze
- ④ Plating style: SN-Bright tin plating



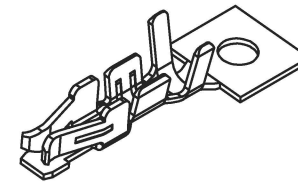
SECTION:A-A
SCALE:1:1



SECTION:B-B
SCALE:1:1



SECTION:C-C
SCALE:1:1



X2000T-PSN	Phosphor Bronze	AWG#22-28	1.50mm(Max)	Stamping Before Plating :30u" Ni,70u" Sn	X2000H
PARTY NO	Material	Wire Range	Insulation O.D.	Finish	Suitable XKB Terminal

广东星坤科技股份有限公司

生效

ΔX	日期
ΔX	日期
ΔX	日期
MARK	DESCRIPTION

REVISIONS

www.xk-dg.cn www.helloxkb.com www.helloxkb.cn

ANGLAR	±5°
L ≤ 4	±0.2
4 < L ≤ 16	±0.3
16 < L ≤ 63	±0.4
L > 63	±0.5

UNSPECIFIED TOLERANCES

DSND	DATE	SCALE: N/A	MODEL TYPE: X2000T-PSN
DWN	DATE	VIEW:	PART NO.: 2.0mm Crimp Style Connectors
CHKD	DATE	UNIT: mm/in	DWG NO.:
APPD	DATE	SIZE: A4	
XKB INDUSTRIAL PRECISION CO., LIMITED			WEIGHT 1.0g
			SHEET 1/1
			REVISION A0

文件工程章