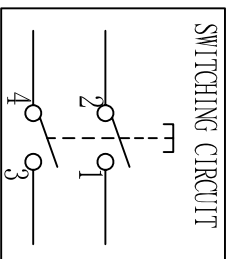
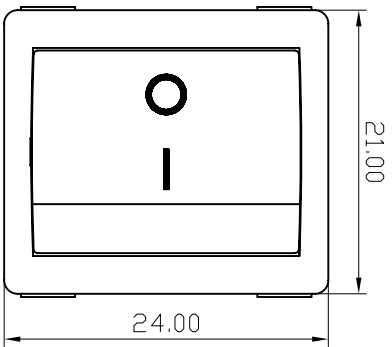


PANEL CUT-OUT			
Z	Y	X	
0.70~1.25	21.90~22.10	18.9~19.1	
1.25~2.00	21.90~22.10	19.1~19.2	
2.00~3.00	21.90~22.10	19.3~19.4	



NOTES:
1. Rating:

- CCC 6A 250V AC 6(8)A 250V AC
- 8A/128A 250V AC T105/55
- UL 6GPA 250V AC/10GPA 125V AC T105/55
- VDE ENEC 6(4)A 250V AC T85/55
- KC 6(4)A 250V AC T85/55

- 2. Circuit Diagram: 4P ON-OFF
- 3. Terminal Strength: ≥80N
- 4. Electrical life: ≥10000 cycles
- 5. Withstand Voltage: Withstand Voltage:1500VAC 1min
Terminals to Button:3000VAC 1min
Leakage Current:1mA
- 6. Current resistance: ≤50mΩ(initial)
- 7. Insulation resistance: ≥100MΩ
- 8. Body Material: NILON 66 94V-0-2

LECI

乐磁电子有限公司
LECI ELECTRONICS CO.,LTD

A4									
A3									
A2									
A1									
REV.	DATE	REVISION DESCRIPTION	ISSUE	UP TO 5	±0.20	COMMON TOLERANCE:	普通公差:	ANGULAR	±5°

单位	mm	投影	1:1	产品名称	跷板开关	比例	Free
绘图	周金勇	校对	梁金勇	型号	RS601		
日期	2015.09.01	核准	周培雷	图号	RS601F-2010011BB		